

T395NCEU1

Parts Catalog

목 차

1. 엔진 PART NO. EG

FIG 100 ENGINE	7
FIG 101 CYLINDER BLOCK	9
FIG 102 GEAR HOUSING	11
FIG 103 FLYWHEEL HOUSING & OIL SUMP	13
FIG 104 CYLINDER HEAD & BONNET	15
FIG 105 SUCTION MANIFOLD	18
FIG 106 EXHAUST MANIFOLD	20
FIG 107 DIESEL PARTICULATE FILTER(DPF)	22
FIG 108 CAMSHAFT & DRIVING GEAR	24
FIG 109 CRANKSHAFT & PISTON	26
FIG 110 LUB OIL SYSTEM	28
FIG 111 COOLING WATER SYSTEM	30
FIG 112 FUEL SUPPLY PUMP	32
FIG 113 FUEL INJECTION VALVE	34
FIG 114 FUEL PIPE	36
FIG 115 STARTER MOTOR	38
FIG 116 ALTERNATOR	40
FIG 117 ELECTRONIC CONTROL UNIT(ECU)	42
FIG 118 ELECTRIC PARTS	44

2. 엔진보기품 PART NO. T2

FIG 201 AIR CLEANER	47
FIG 202 RADIATOR	49
FIG 203 MUFFLER	51
FIG 204 FUEL TANK	53
FIG 205 ACCELERATOR	55

3. 클러치/브레이크/스티어링 PART NO. T3

FIG 301 CLUTCH PEDAL	58
----------------------	----

FIG 302 FLYWHEEL & CLUTCH	60
FIG 303 BRAKE PEDAL	62
FIG 304 BRAKE	64
FIG 306 FRONT WHEEL MOUNTING	66
FIG 307 REAR WHEEL MOUNTING	68
FIG 308 STEERING WHEEL	70
FIG 309 STEERING VALVE & TILT	72
FIG 310 STEERING CYLINDER	74
FIG 311 HAND BRAKE LINKAGE	76

4. 트랜스미션 PART NO. T4

FIG 401 TRANSMISSION FRONT CASE	79
FIG 402 INPUT METAL	81
FIG 403 INPUT GEAR	83
FIG 404 4WD DRIVE GEAR	85
FIG 405 MAIN CHANGE GEARS & REVERSE GEARS	87
FIG 406 SUB CHANGE GEARS	89
FIG 407 PINION GEARS	91
FIG 408 P.T.O DRIVE SHAFT	93
FIG 409 P.T.O CHANGE GEARS	95
FIG 410 DIFF LOCK	97
FIG 411 TRANSMISSION REAR CASE	99
FIG 412 REAR AXLE HOUSINGS (1)	101
FIG 413 REAR AXLE HOUSINGS (2)	103
FIG 414 MAIN CHANGE LEVER	105
FIG 415 SUB CHANGE LEVER	107
FIG 416 REVERSE LINK	109
FIG 417 REVERSE CHANGE LEVER	111
FIG 418 4WD CHANGE LEVER	113

5. 프론트 액슬 PART NO. T5

FIG 501 FRONT AXLE BRACKET	116
FIG 502 FRONT DIFF. GEARS & SHAFT	118
FIG 503 FRONT AXLE HOUSING	120
FIG 504 FRONT GEAR CASE (1)	122
FIG 505 FRONT GEAR CASE (2)	124

6. 유압/3점링크 PART NO. T6

FIG 601 GEAR PUMP	127
FIG 602 CYLINDER CASE	129
FIG 603 LIFT ARM	131
FIG 604 CYLINDER	133
FIG 605 POSITION LINK (1)	135
FIG 606 POSITION LINK (2)	137
FIG 607 CONTROL VALVE	139
FIG 608 POSITION LEVER	141
FIG 609 HYDRAULIC PIPE (1)	143
FIG 610 HYDRAULIC PIPE (2)	145
FIG 611 EXTERIOR HYD. VALVE	147
FIG 612 3-POINT LINK	149
FIG 613 HITCH & COVER	152

7. 시트메탈/캐빈 PART NO. T7

FIG 701 HOOD	155
FIG 702 BONNET	157
FIG 704 FENDER & REAR FRAME	160
FIG 705 DASH PANEL	163
FIG 706 FLOOR PANEL	165
FIG 707 SEAT	167
FIG 708 FRONT & REAR MOUNTING	169
FIG 709 ROPS	171

8. 전장 PART NO. T8

FIG 801 BATTERY & MOUNTING	174
FIG 802 LAMP	176
FIG 803 INSTRUMENT PANEL	178
FIG 804 ELECTRIC SYSTEM	180
FIG 805 HARNESS (1)	182
FIG 806 HARNESS (2)	184

9. 라벨/옵션 PART NO. T9

FIG 901 WEIGHT	187
----------------	-----

FIG 902 TOOL & ACCESSORY

189

FIG 903-1 LABEL (1)

191

1. 엔진 PART NO. EG

FIG 100 ENGINE	7
FIG 101 CYLINDER BLOCK	9
FIG 102 GEAR HOUSING	11
FIG 103 FLYWHEEL HOUSING & OIL SUMP	13
FIG 104 CYLINDER HEAD & BONNET	15
FIG 105 SUCTION MANIFOLD	18
FIG 106 EXHAUST MANIFOLD	20
FIG 107 DIESEL PARTICULATE FILTER(DPF)	22
FIG 108 CAMSHAFT & DRIVING GEAR	24
FIG 109 CRANKSHAFT & PISTON	26
FIG 110 LUB OIL SYSTEM	28
FIG 111 COOLING WATER SYSTEM	30
FIG 112 FUEL SUPPLY PUMP	32
FIG 113 FUEL INJECTION VALVE	34
FIG 114 FUEL PIPE	36
FIG 115 STARTER MOTOR	38
FIG 116 ALTERNATOR	40
FIG 117 ELECTRONIC CONTROL UNIT(ECU)	42
FIG 118 ELECTRIC PARTS	44

PARTS SUGGESTED LIST

PART NUMBER	DESCRIPTION	QTY for EACH TRACTOR
12915035153	FILTER	1
129A0055800-	FILTER, FUEL OIL	1
129A0055730-	ELEMENT	1
16705105000	FILTER ASSY , SUCTION	1
13152302100	FILTER COMP , HST	1
16004340040	SEAL	2
16704330180	CAP , 90	2
16704340150	O RING	2
16322732000	SEAL ASSY , OIL	1
16704340040	SEAL ASSY	2
13151035020	ELEMENT ASSY,P821575	1
V4011600160	WASHER , SPRING	30
V2193606020	BOLT , HEX/SPL	2
16995152360	COUPLING , 1/2	2
15817401130	GROMMET , 13X17X02	4
V7231020115	O-RING	2
14251320150	COUPLING	4
15276040020	CLIP , TRIM	5
V4011600140	WASHER , SPRING	23
V7231020110	O-RING , S	4
V2123606012	BOLT , HEX /SP	15
V2173608025	BOLT , HEX/S	50
V6041106208	BEARING , BALL/HL1	6
16704130080	HOUSING , SEAL	2
V2014616030	BOLT , HEX	16
V7041400250	C-RING , SHAFT	10
V2173608020	BOLT , HEX/S	39
17686641110	RELAY , PREHEAT	2
V2183608020	BOLT , HEX/SP	48
16731112130	FILTER	1
V6001106210	BEARING , BALL	4
V7441254708	SEAL , OIL/D	1
V4011600120	WASHER , SPRING	45
V4111600160	WASHER , PLAIN	7
V2183608025	BOLT , HEX/SP	19
V4011600100	WASHER , SPRING	20
13151035040	ELEMENT ASSY, P822858	1
17995080201	UNION , 1/2	2
V2173612030	BOLT , HEX/S	18
V3043600100	NUT , HEX/2	22
V7441256210	SEAL , OIL/D	1
V7051400620	C-RING , HOLE	1
V3501600060	NUT, PUSH-ON SPRING	16
14527042500	NUT COMP , GLASS	4
V3802600060	NUT , HEX FLANGE	24
V7041400200	C-RING , SHAFT	5
V6001106308	BEARING , BALL	2
V4111600100	WASHER , PLAIN	20
14446010150	WASHER , NET	16
V7201024010	O-RING , P	1

PART NUMBER

DESCRIPTION

QTY for EACH TRACTOR

V3043600160	NUT , HEX/2	10
V4111600120	WASHER , PLAIN	14
16709510081	WASHER , 50X67X2	2
V7201019009	O-RING , P	2
V6001106014	BEARING , BALL	2
V7041400400	C-RING , SHAFT	2
V5502040093	RIVET , BLIND	4
16704340070	SHAFT , WHEEL	2
14722310033	SPRING , RETURN	1
V6001106012	BEARING , BALL	2
V7211031080	O-RING , G	3
V4111600080	WASHER , PLAIN	29
13016060020	COVER ,LH RR LAMP	1
V6001106207	BEARING , BALL	3
V3002600060	NUT , HEX/1	2
13059310030	PIN	2
16704110121	SHIM	2
V4011600060	WASHER , SPRING	5
13156642202	SWITCH , COMBI	1
17995080960	VALVE , AUX EXTERIOR SPRING	1
V4111600140	WASHER , PLAIN	4
14527023300	LAMP ASSY , RR COMBINATION	2
V3043600120	NUT , HEX/2	24
15024320020	BEARING , TAPER ROLLER	2
11103062000	GAUGE ASSY , OIL LEVEL	1
V7051400900	C-RING , HOLE	4
V4011600080	WASHER , SPRING	18
79636130050	PIN , 16X60	2
16704320030	COLLAR , 68X80X2	2
V2173608016	BOLT , HEX/S	16
V3043600140	NUT , HEX/2	8
V2193606012	BOLT , HEX/SPL	4
12009100190	LABEL , WARNING BELT	1
V7041400600	C-RING , SHAFT	2
V4111600060	WASHER , PLAIN	7
14211340190	COUPLING	1
16704130060	SHIM , 75X90X2	2
14321200040	SPRING , TENSION 31	1
V5201010022	PIN , PARALLEL/A	14
12009100240	LABEL , CAUTION MUFFLER	1
V7051400800	C-RING , HOLE	4
35605033020	WASHER , WIRE WITHDRAWAL	18
16735240060	Spring	4
16704074104	SET , BALL JOINT	2
12009100130	LABEL , DANGER PTO	1
12009100030	LABEL , WARNING EXHAUST	1
V7041400300	C-RING , SHAFT	2
12009100120	LABEL , CAUTION FAN	2
14524070081	CYLINDER COMP	1
V6802000010	BALL , STEEL	4

PART NUMBER

DESCRIPTION

QTY for EACH TRACTOR

V7201024016	O-RING , P	1
12009100140	LABEL , WARNING DRAW	1
V6001106304	BEARING , BALL	3
V2193606016	BOLT , HEX/SPL	17
12009100230	LABEL , CAUTION OPERATION	1
12009100060	LABEL , WARNING DIFF	1
17689100170	LABEL , CAUTION SAFETY	1
12009100050	LABEL , WARNING FIRE	1
V2173610025	BOLT , HEX/S	4
14722312401	DAMPER , OIL	1
12009100210	LABEL , WARNING THROTTLE	1
16003302101	TANK ASSY , RESERVE	1
13377210020	WASHER , 11X24X3	2
V6001106204	BEARING , BALL	4
16507027500	PIN COMP , FIXED	2
V7051400950	C-RING , HOLE	3
13603102000	CAP ASSY , TANK	1
V7201024021	O-RING , P	2
13305080890	BOLT , STUD 90	2
V3043600080	NUT , HEX/2	12
V7441255210	SEAL , OIL/D	1
20115300010	RELAY ASSY , TWIN	1
V7041400350	C-RING , SHAFT	2
V5001920015	PIN , SPLIT	2
16995304000	UNION , O-RING	2
V7051400470	C-RING , HOLE	2
16705125201	LEVER COMP , AUX2	1
12383240040	SEAL , SHAFT	2
13022250030	SPRING , SHIFTER	3
V6001106306	BEARING , BALL	2
V7041400450	C-RING , SHAFT	2
79642010080	SHIM , B	2
V3042600080	NUT , HEX/2	15
V3013600160	NUT , HEX/2	2
13016061300	FIX PLATE , RR LAMP	2
19027210060	NUT , NYLON , M6	7
12209045051	LABEL , ROPS WARNING/REMODELIN	1
14215020020	PIN , LINK	3
V6001106212	BEARING , BALL	1
V2113606010	BOLT , HEX /S	1
14152050160	SHIM , B	1
13016060030	COVER , RH RR LAMP	1
V6001106305	BEARING , BALL	3
14254310080	SHIM , A	1
V2183608030	BOLT , HEX/SP	2
15645220011	PIN , 19X86	1
V3802600080	NUT , HEX FLANGE	14
15186070020	BOLT , KNOB M8X31	2
V6001106211	BEARING , BALL	1
14541062000	COOLER COMP , OIL	1

PART NUMBER

DESCRIPTION

QTY for EACH TRACTOR

13267028202	SOCKET ASSY , TRAILER	1
12009100160	LABEL , DANGER RIDING	1
V1222604012	SCREW , C/R PAN/SP	2
V7811600006	PLUG , SQUARE	5
17995070270	BUSH , 16X18X33	1
V5001920020	PIN , SPLIT	14
12009100010	LABEL , WARNING SUB SHIFTER	1
15601160083	PIN , 06X16	1
V2183608016	BOLT , HEX/SP	22
12009100150	LABEL , WARNING RADIATOR	1
79636110030	PIN , 12X48	2
V5001925020	PIN D2.5x20	1
16705145000GB	ROD ASSY , RH LIFT	1
15645220020	PIN , 19X95	1
12009100040	LABEL , WARNING STOP VALVE	1
V5801406032	PIN , SPRING	4
16702190060	GRIP , 4WD	1
V3013600100	NUT .HEX NORMAL /2	2
V7201057070	O-RING , P	2
17699100090	LABEL , WARNING JOYSTICK	1
18027090800	BAND CLAMP 80 EMBO TYPE	1
V5601600008	PIN , SNAP	6
15186213200	SWITCH ASSY , STOP LIGHT	1
16705142501	CHAIN ASSY , CHECK	2
12147078721	KEY SET	1
V6001106205	BEARING , BALL	4
14254330180	CAP , 72	1
17699100100	LABEL , WARNING JOYSTICK	1
V5201010020	PIN , PARALLEL/A	1
V7212031050	O-RING , G	2
V7211031030	O-RING , G	1
12009100080	LABEL , WARNING TILTING	1
14322420010	PIN	6
12609040620	LABEL , STARTING WARNING	1
V7051400720	C-RING , HOLE	2
V2173612040	BOLT , HEX/S	24
V5801405036	PIN , SPRING	1
36522712300	SWITCH ASSY	1
V2113606012	BOLT , HEX /S	5
15601320073	NUT , HEX LH	3
V7081400080	E-RING	2
V3042600100	NUT , HEX/2	1
15603200010	BOLT , STUD M16X30	8
V7051400520	C-RING , HOLE	2
14726071101	GRIP COMP	1
13011042100	RADIATOR SET	1
V7201035040	O-RING , P	1
14046210300	GROMMET	4
15241220010	PAD	2
15606300205	INSULATOR	1

PART NUMBER

DESCRIPTION

QTY for EACH TRACTOR

16702440070	HUB(13*17*61)	2
V7201024014	O-RING , P	1
V7081400120	E-RING	1
17994420060	SNAP RING , C TYPE	3
V2173612035	BOLT , HEX/S	6
15184322500	CAP ASSY , OIL	1
V6001106005	BEARING , BALL	3
V7081400060	E-RING	7
V4111600200	WASHER , PLAIN	2
14445140051	PIN , 19	2
V7211031055	O-RING , G	1
V1112606040	SCREW , C/R PAN	1
12009100070	LABEL , WARNING BRAKE	1
V2323606016	BOLT , C/R HEX/SP	22
V7081400100	E-RING	4
V2113606030	BOLT , HEX /S	1
16705020050	PIN , 19X69	2
V2014612030	BOLT , HEX	2
12209045010	LABEL , ROPS DANGER	1
12382323001	MAGNETIC ASSY , CRUISE	1
17689200050	LABEL , DIFF	1
15605150031	HOSE , 100	1
V7041400280	C-RING , SHAFT	2
14602130030	WASHER , 20X34X3	1
V5201012020	PIN , PARALLEL/A	4
16505245501GB	LINK ASSY , TOP LINK	1
V7201024012	O-RING , P	3
14725182210	SOLENOID COIL	1
12209045020	LABEL , ROPS WARNING	1
V2013610030	BOLT , HEX	1
V2183610025	BOLT , HEX/SP	7
16507027801	BOLT , SET	2
V2173608045	BOLT , HEX/S	10
V2024614040	BOLT , HEX FINE	10
14473172601MS	WHEEL SET , W10-24	2
14614172200MS	RIM , W6-16	2
V7051400750	RING , C TYPE	1
16702230371	PLATE	3
35602010150	WASHER , BIND SHAFT	11
12651040300	CAP , RADIATOR	1
13016063000GB	PLATE COMP , RH RR LAMPCOVER	1
V3043600060	NUT , HEX/2	2
16704340021	GEAR , BEVEL 9	2
V7201024018	O-RING , P	1
V3042600120	NUT , HEX/2	2
V5801405025	PIN , SPRING	1
V2514412040	BOLT , STUD/2	6
17405100011	HOSE	1
12385142000GB	LINK COMP , LH LOW	1
14722310060	BEARING , BALL	1

PART NUMBER

DESCRIPTION

QTY for EACH TRACTOR

V7041400160	C-RING , SHAFT	1
13606642401	FLASHER ASSY	1
36108010080	SPRING , ENTRANCE FOR SEED(HCO	2
13016062000GB	PLATE COMP , LH RR LAMPCOVER	1
16705050060	RING	2
16996210370	PACKING	1
16704320050	WASHER , THRUST	2
V7441253506	SEAL , OIL/D	2
14721062300	UNION UNIT , OIL COOLER	2
12385142100GB	LINK COMP , RH LOW	1
V2013614035	BOLT , HEX	4
V2183606016	BOLT , HEX/SP	4
15642212050	CLUTCH , DISK	5
V7081400090	E-RING	5
14545300020	POTENTIOMETER ASSY	1
37371720090	CLAMP , W/HARNES	1
12624052702	HOSE ASSY , RH HYD 670	1
12624052802	HOSE ASSY , LH HYD 770	1
14527060010	WASHER , JERBSI SPRING/10	2
16706642301	GAUGE ASSY , FUEL TANK	1
V6041106209	BEARING , BALL/HL1	2
14326510210	CAP , RUBBER 20	4
16704112120	COLLAR	1
V7211031045	O-RING , G	2
11644012302	CAP(TYM) , STEERING WHEEL	1
V2004616050	BOLT , HEX	2
14041200081	SPRING , CLUTCH RETURN	2
11116502001	CABLE ASSY . BATTERY	1
V5801403025	PIN , SPRING	1
V6041106304	BEARING , BALL/HL1	1
13011042110	CAP 0.9bar	1
14524054003	STEERING VALVE UNIT	1
V3343600100	NUT , HEX FINE/2	1
V3013600080	NUT .HEX NORMAL /2	10
16606510210	CAP , RUBBER 30	5
14273010050	COLLAR , THRUST	2
V3343600160	NUT , HEX FINE/2	2
V1122605012	SCREW , C/R FLAT	2
13251743000	LIGHT SET , WORKING LAMP	1
14051060030	WASHER	2
16703180191	PLATE , STOP	1
15602231610	BOLT , SET M8X16	1
14272010160	CAP	8
15605250030	BAND , 470	1
12305180020	FILTER , 80 MESH	1
V7201124014	O-RING , P	2
12382325000	ROD ASSY , HST	1
16702430022	STAY , RANGE SHIFT	1
16703180511	SHIM , O/0.5	1
V1122608016	SCREW , C/R FLAT	4

PART NUMBER

DESCRIPTION

QTY for EACH TRACTOR

17995050100	VALVE ASSY , MAIN CONTROL	1
16704310160	GEAR , DIFF SIDE(20)	2
16601220020	TURNBUCKLE , M8 L60	3
14045030060	PACKING , OIL PUMP	2
16704310031	CASE , FR DIFF	1
12394125100	CAP ASSY , OIL	1
16342212050	CLUTCH , PLATE	6
18027090400	BAND CLAMP 40 EMBO TYPE	11
16703180181	SHIM , O/0.1	2
V2183608035	BOLT , HEX/SP	2
15642212090	SEAL , C	1
V2113606020	BOLT , HEX /S	3
12382312101	BRACKET COMP , HOLDER	1
V7601500000	NIPPLE , GREASE/A-M6F	3
V7201124020	O-RING , P	1
V2013608035	BOLT , HEX	2
V3023600220	NUT , HEX/3	1
36313530021	ADAPTER , HIGH-PRESSURE	1
16703122103	ARM COMP , 4WD	1
14445070030	GRIP , LEVER	2
13424020060	CABLE TIE , 300	9
16995152420	CAP , DUST	2
14526210301	CUSHION RUBBER , RADIATOR	2
V1112605030	SCREW , C/R PAN	7
14725100100	ELBOW , PF3/8 M18	3
14979010070	LABEL , SHIFT	1
16703180171	SHIM , O/0.2	2
84200001200	NUT , NYLON	0
16703180080	SHIM , O/0.2	6
V3052600160	NUT , HEX/3	1
15640040001	VALVE , SUB FLOW CONTROL	1
16606070031	CAP , 9	6
12385142300	PIN COMP , RH	1
V5801408036	PIN , SPRING	2
14443140041	COLLAR , 35X50X2	1
16705142400GB	ROD COMP , LH LIFT	1
16704130050	SHAFT	2
V2514410050	BOLT , STUD/2	4
V7811600008	PLUG , SQUARE	1
16756214701	SWITCH ASSY , SAFETY	1
V2173610030	BOLT , HEX/S	10
V3342600100	NUT , HEX FINE/2	5
14043120060	PIN , YOKE	2
15991040050	COLLAR , 08X12X08	4
V5111006036	PIN , TAPER SPLIT	1
13015504005	JOYSTICK ASSY , LOADER VV	1
V5211008016	PIN , PARALLEL/B	3
16702611301	GEAR , SPUR 29-28T ASSY	1
15966250010	INSULATOR	4
17406203201GB	GRILLE COMP	1

PART NUMBER DESCRIPTION QTY for EACH TRACTOR

V7631500000	NIPPLE , GREASE/B-PT	3
17401117100	FUEL HOSE, RETURN A	2
10011162400	RUBBER , WIRE RETAINING	1
16505245530	NUT , HEX	1
16704130020	SHAFT , 296	1
13602470020GB	LINK , HITCH	1
16703180110	SHIM , P/0.1	2
15603102011	PLATE COMP , DISK	6
V2013612060	BOLT , HEX	4
13605200012GB	COVER , SHIELD	1
12383282301	ROD COMP , REAR	2
V1122608040	SCREW , C/R FLAT	4
10536462600	SWITCH ASSY , AUTO THROTTLE	1
13764020030	CABLE TIE , 140	4
16702611030	WASHER , 20X30Xx1.0	1
17406525002	HEAD LAMP ASSY , RH	1
14586702100	SWITCH ASSY , LIMIT	1
15189240160	NUT , NYLON , M16	2
12355104702GB	PIPE COMP , RR MAIN	1
17686020600	LOCK COMP . HOOD	1
17406524002	HEAD LAMP ASSY , LH	1
V7201124022	O-RING , P	1
12354100010GB	SHAFT , 4WD	1
V5801406025	PIN , SPRING	2
16704320020	PINION , DIFF(12)	2
14256210040	CLAMP , 9	8
V6802000019	BALL , STEEL	8
V2014614035	BOLT , HEX	2
16704130010	SHAFT , 480	1
18027090160	BAND CLAMP 16 EMBO TYPE	17
17415100000	GEAR PUMP ASSY (9cc)	1
17973030420	SPRING	1
17995050090	BUSH , 50X55X40	1
14726642000	SWITCH SET , PUSH CRUISE	1
36423600080	CLIP , HOSE D=12.5	2
V2193606025	BOLT , HEX/SPL	2
13606313000	MIRROR ASSY	2
12346682200	HARNES ASSY, ALTERNATOR	1
16703180120	SHIM , P/0.2	2
V2514410028	BOLT , STUD/2	4
15605110054	GRIP , 3X17X97	1
37371540030	RUBBER , SEAT	1
15642730082	WASHER , 35X55X3	1
14722312730	PAD	2
12656060041SR	FENDER , LH	1
19955100010	HOSE , 26X34X60	1
13012060070	RUBBER ,8.5X30X5	2
10526060021SR	FENDER , RH MUD GUIDE	1
11101032400	SPONGE , AIRCLEANER	2
14443272021	PLATE , SEPARATE	4

PART NUMBER

DESCRIPTION

QTY for EACH TRACTOR

16705145100	SLIP COMP	1
16703272030	SPRING , RETURN	6
16705030030	SHAFT , SLOW RETURN(76)	1
12136213210	KEY , BONNET OPEN	1
17461036301	VELT(A40.5)	1
14443140091	CAP , PTO SHAFT	1
17995010150	HOSE . 500	1
17406203700GB	NET , UPR/RH	1
V5001930030	PIN , SPLIT	2
16704130100	GEAR , BEVEL 11	2
16702430010M	FORK , RANGE	1
16702432002	ARM SET, RANGE	1
V2013612080	BOLT , HEX	4
V2173608030	BOLT , HEX/S	3
17401042201	SHROUD	1
13025100020	UNION , M18,PF1/2	2
16703180100	SHIM , P/3.0	1
V2014612160	BOLT , HEX	8
13266212003	HORN	1
16704332220	BUSH , 50X55X20	1
12354102300GB	COVER COMP , 4WD SHAFT	1
17406212000	EMBLEM ASSY , V5	1
36217020030	WASHER , PULLEY	4
V3302600140	NUT , HEX FINE/2	1
12633000002	DIFF ASSY , RR	1
16703180090	SHIM , O/0.1	2
V2013612085	BOLT , HEX	2
14526642101	CASE ASSY,FUSE	1
12385142200	PIN COMP , LH	1
16700070000	VALVE ASSY , RELIEF	1
V2183612020	BOLT , HEX/SP	8
13015504020	BOOTS , JOYSTICK VALVE	1
16322730030	SHIM , 0.5	1
V6041106009	BEARING , BALL/HL1	1
12383240050	STOP RING	2
13153280061	SPRING , BRAKE	1
16703180130	SPACER , BEARING	1
13606571000	REAR REFLECTOR	2
V2173608085	BOLT , HEX/S	2
V2113606025	BOLT , HEX /S	2
18021032100	INDICATOR , REX770050 5KPa	1
V5801408060	PIN , SPRING	1
17466462600	SWITCH ASSY , REGEN	1
V7201124016	O-RING , P	1
16703020040	NUT , M33X1.5	1
16705010110	RING	1
18027090700	BAND CLAMP 70 EMBO TYPE	2
15646542130	BULB , 12V 21W	2
13367023400	LAMP ASSY , STOP	2
17995070170	PLATE , D	1

PART NUMBER DESCRIPTION QTY for EACH TRACTOR

36527040020	CLAMP , 20X180	1
15945170030GB	CLIP	2
17406014300	GUIDE, HOOD PIN	1
12284073500	HOSE ASSY, HYD 1200/T	1
16702553100	ROD , 236	1
11106684300	HARNESS ASSY , EARTH	1
12209040030	LABEL , ROTARY	2
12355134401GB	PIPE COMP , PUMP	1
13267060022	PLUG , DRAIN	1
13016020010	BOLT, FIX	2
36576180050	RUBBER , CUSHION	1
13015300010	COVER , JOYSTICK	1
12381212000	DAMPER FLANGE ASSY	1
14572410010	WASHER , 28X46X3	1
17995070180	SPRING	1
14884110090	NUT , M30	1
V2123606030	BOLT . HEX /SP	5
13151032300	BRACKET COMP , GUIDE	1
13836202450	TOOTHED LOCK WASHER	8
17466462700	SWITCH ASSY , INHIBIT	1
16705145200	FORK COMP , LOW	1
14722212090	RING , PISTON	1
12382420010	GEAR , RANGE 24-16	1
12352302000	HST(37cc) ASSY	1
13011040321	INSULATOR , RADIATOR	1
17406203900	INSULATOR , HOOD	1
14141170050	LINING , 13X50X3	1
16505245520	LINK COMP , LH TOP LINK	1
15263202050	WASHER	8
S0973063031	PIN ASSY	1
12516743300	SWITCH ASSY , PTO	1
14524322000M	HOUSING , FRONT AXLE	1
16704110060	SHAFT , DIFF PINION	1
16704310040	SPACER , R	1
V2513412045	BOLT , STUD/2	2
V2053606035	BOLT , HEX C/R	4
14527078550	LABEL, PTO	1
V2174612040	BOLT , HEX/S	16
V2514414030	BOLT , STUD/2	4
14521042341	SPONGE , SIDE(430)	2
16705142800	CHAIN COMP , RH CHECK	2
V2014616050	BOLT , HEX	1
16703180521	WASHER , THRUST	2
14835182001	VALVE ASSY , PTO	1
36753302201GB	HOLDER COMP , TANK/RESERVE	1
V2173608050	BOLT . HEX/S	2
13016202060	PIN , HOOD	1
16705142510M	TURNBUCKLE	2
12009040041	LABEL , HYDRAULIC CONTROL	1
12351063400GB	PIPE COMP , RR COOLER/OUT	1

PART NUMBER DESCRIPTION QTY for EACH TRACTOR

14216020051	RUBBER , CUSHION B	2
17994360221	CONNECTOR	2
16702555102	HOOK SET , RR PTO	1
13003180200	WASHER , PINION THRUST	2
11105030051M	PISTON , HYD	1
17131049210	HOSE CLIP 11	1
15252470010	RUBBER , CUSHION	1
16996300210	INSULATOR	1
14885251100	HOOK , TOPLINK	1
12351063500GB	PIPE COMP , RR COOLER/IN	1
14555140251	TURNBUCKLE COMP	1
16703270011	CAM	2
15062470050	PIN , DRAW BAR	1
14466220030	COVER	1
17406203500GB	NET , UPR/LH	1
V2053605010	BOLT , HEX C/R	5
19027750021	GRIP COMP , JOYSTICK	1
17415200001	GEAR PUMP ASSY (6.5cc)	1
16704362221	BUSH , 75X80X30	1
V6341132207	BEARING , TAPER-ROLLER	1
16702191050	WASHER , 15.2X21X2	1
10532310090	PIN , OIL DAMPER	1
16992190102	GRIP , PTO	1
14441010161	CLAMP , RADIATOR HOSE	2
16606062603GB	STEP,COMP	
16705100030	ADAPTER , PF1/2 PF1/2	1
12396013900GB	LEVER COMP . JOYSTICK	1
14276010030	WASHER , 15X24X2	1
14572411022	GEAR , SPUR 29T	1
17995040170	WASHER , LOCK	1
17995070200	PLATE , A	1
17406203600GB	NET , LOW/LH	1
V5901010150	WIRE , STEEL	2
12120028430	SWITCH , BATTERY	1
14722212020	PISTON	1
V6341130207	BEARING , TAPER-ROLLER	1
V6041106011	BEARING , BALL/HL1	1
17995031000	ROD ASSY , PISTON	1
17405104100GB	PIPE COMP , FR MAIN	1
16586652000	HORN COMP	1
19026462401	SWITCH ASSY(HARZARD)	1
13015504010	BODY ASSY , JOYSTICK	1
14514342101M	CASE , RH FINAL DRIVE(B)	1
13151035001	AIR CLEANER SUB ASSY,G057512	1
V3402600100	NUT , HEX CAP	2
13607010012GB	NUMBER PLATE	1
15189030060	LABEL , PORT	1
17995010210	SPRING	1
12355134502GB	PIPE COMP , TANK	1
16704020020	SPACER (F)	1

PART NUMBER DESCRIPTION QTY for EACH TRACTOR

16704340010M	CASE , FINAL DRIVE(A)	2
15642730052	HUB , 35X62X20	1
12383240020	GEAR , WHEEL 54T	2
16705060010	JOINT POSITION	1
17401040010	HOSE , RADIATOR INLET	1
14887024000	LAMP ASSY , NUMBER PLATE	1
17406682008	HARNESS ASSY , E/G	1
15642212060	PLATE , RETURN	1
14722212070	DISC	1
16703180022M	FORK , DIFF LOCK	1
12382702000	MID PTO ASSY	1
15605070070	KNOB , SLOW RETURN	1
11106685001	HARNESS ASSY, HEAD LAMP	1
17416031013NB	COVER , UPR DASHBOARD	1
14444120090	WASHER , SEAL	1
13011042300GB	NET COMP	1
12132442400	GRIP COMP , SUB SHIFT GRIP	1
14724052301	HOSE ASSY , LH HYD 970	1
12664052400	HOSE ASSY , R PORT 870	1
14326210061	NUT , LOCK M12	2
V2013608100	BOLT , HEX	2
14514342001M	CASE , LH FINAL DRIVE(B)	1
14722212040	SPRING	4
16705100100	ELBOW UNIT , PF 3/8XM16	1
12385304000	UNION(M18 , PF3/8, 0.6 orifice	1
12623283100	PIN COMP	1
16705060060	UNION	2
16705060051	PIN , POSITION	1
16705062301	ARM , COMP , POSITION	1
13305080150	VALVE SUB , AUX EXTERIOR 2P	1
13602470010GB	LINK , DRAW BAR	1
15603160025	TUBE , STRAIGHT 80	1
16705143002GB	BRACKET COMP , LH CHECK	1
17406202420	INSULATOR , SIDE RR/LH	1
17406202500GB	Pin COMP , HOODLOCK	1
12386400011	LABEL , SEAL CLUTCH	1
16754042100GB	PIN COMP , LH 16X21	2
12383292302GB	PEDAL COMP , RH BRAKE	1
13025100060	ELBOW PF1/2	1
16704340031	GEAR , BEVEL 16	2
15640090001	VALVE ASSY , RELIEF	1
V2013608090	BOLT , HEX	3
13003180060	GEAR , BEVEL 18T(RH)	1
16703180161	HUB , DIFFLOCK	1
12383200011M	HOUSING , RR AXLE	2
16703230012	PINION , LH WHEEL	1
16705022200	CLEVIS COMP	1
14521042360	SPONGE , FRONT 430	2
12383282201	ROD COMP , FR	2
14942632110GB	LEVER , 4WD	1

PART NUMBER DESCRIPTION QTY for EACH TRACTOR

17136250030GB	PLATE , 80X6T	4
13834012100	STEERTING WHEEL	1
V2173610060	BOLT , HEX/S	8
12383240030	COLLAR , 50X60X238	2
15155152901GB	PIPE COMP , FR SUCTION	1
17406203800GB	NET , LOW/RH	1
36707030080	BUSH , 20X23X20	4
14524043302GB	BRACKET COMP,STEERING	1
V7201035025	O RING .P	4
16505245510	LINK COMP , RH TOP LINK	1
14729020110	LABEL , DANGER	1
16702540011M	FORK , PTO	1
16702212000	CLUTCH ASSY , PTO CLUTCH	1
13003180040	PINION , DIFF 10	2
16702622103	ARM COMP , 4WD	1
16705060020	BOLT , SUPPORT1	2
17406203010GB	PLATE , UPR/SIDE	4
14886562000	LAMP ASSY , POSITION	2
14729040200	LABEL , PTO LEVER	1
14726400010	SEAL , HANDBRAKE	1
16703230024	PINION , RH WHEEL	1
14444080062	CONNECTOR	1
13017020040GB	PLATE , W/O ROPS	2
12383292202GB	PEDAL COMP , LH BRAKE	1
12133030020	GRIP , ORANGE	1
17406870011GB	BRACKET, BATTERY FIX	1
17995040131	ROLLER	1
16705152330	HOSE , 1400 ASSY	1
V2123606020	BOLT , HEX /SP	2
17406202430	INSULATOR , SIDE FR	2
14724010052	BOOT , TILT	1
V2024612085	BOLT , HEX FINE	4
16703002020	GEAR , BEVEL 52	1
12383240010	SHAFT , RR WHEEL	2
16703270030	PIN, TORQUE	2
16705020020M	LIFT , CRANK	1
K2310040070	SEAL , DUST	1
19021024300	HOSE . 530	1
17401030030	HOSE , AIR OUTLET	1
14661024200	HOSE , FUEL/155	1
16702212030	PLATE ASSY	1
12352311040	GEAR , SPUR 22T	1
16703270021	METAL , BRAKE	1
12352311020	GEAR , INPUT 21T	1
13835070210	PLATE , FRICTION	2
V2003616070	BOLT , HEX	2
18027090500	BAND CLAMP 50 EMBO TYPE	3
14722312802GB	PEDAL COMP , REVERSE	1
16705143102GB	BRACKET COMP , RH CHECK	1
12351010002	ENGINE , 3TNV88C-DKTF	1

PART NUMBER DESCRIPTION QTY for EACH TRACTOR

16702200041	COLLAR , 20X30X08	1
13003180070	SHAFT , DIFF PINION	1
16705011201	SHAFT , COMP , POSITION	1
16703172002GB	BRACKET COMP , TOP LINK	1
16703292501	ROD COMP , HOOK 504	2
17404072501GB	PLATE COMP, C	1
12386312301GB	PANEL COMP , SEAT	1
14661032601	BRACKET COMP , CABLE HOOK	1
14253610010	TUBE(12.4-24)	2
15263202041	NUT	8
12341044110DD	SHIED, ALTERNATOR	1
16704332101	METAL ASSY , PIVOT	1
16702610023	4WD GEAR , SPUR 28T	1
12383193000	PEDAL SUB , DIFF LOCK	1
12383270010M	COVER , BRAKE	2
16703270040	METAL , BRAKE	1
12382316000	UNION PF3/4 , I 3/8-12 UNF	1
12382162010	SHAFT , PTO INPUT	1
12382200200M	METAL , BEARING	1
14573283101	PIN COMP , 87	1
17995020030	PLATE	1
V2013608050	BOLT , HEX	1
17995060061	LINK	1
16705060030	BOLT , SUPPORT2	1
16707109900	VALVE ASSY , SLOW RETURN	1
12623283300GB	ARM COMP , LH BRAKE	1
14722312703GB	PEDAL COMP , FORWARD	1
17406203020GB	PLATE , MID/SIDE	2
14726300022	INSULATOR , DASHPANEL	1
12389010070	LABEL , SEAL D30	3
12666311010	GLASS , FR 40	2
13834012200	WASHER , TOOTH-LOCK/OUT	1
13015504210	CABLE ASSY , JOYSTICK(760)	1
12352400010M	CASE , RR TRANSMISSION	1
12382530010	SHAFT , PTO	1
16703270090	ARM , BRAKE	2
12382200011M	CASE , MID TRANSMISSION	1
16705062400	PIPE , CYLINDER COMP	1
14946300031	PLATE , CONNECTOR	1
16701015001	PLUG ASSY , DRAIN (MAGNET)	2
12352543530	SHAFT , PTO COUNT	1
12352530020	GEAR , PTO 54T	1
12382530030	GEAR , SPUR 41T	1
12382530040	WASHER , 25X40X26	1
12382540020	STAY , PTO	1
12382412020	GEAR , SPUR 37T	1
12382412010	GEAR , HELICAL 20T	1
12382420020	GEAR , HELICAL 31T	1
12382610040	SHAFT , 4WD	1
16705020012M	LIFT SHAFT	1

PART NUMBER DESCRIPTION QTY for EACH TRACTOR

17407362300	ELBOW , PF3/8 PF1/2	1
12382700010M	CASE , MID PTO	1
12382710010	SHAFT , MID PTO	1
12382712110	GEAR , SPUR 35T	1
12382710020	SHAFT , MID PTO COUNTER	1
15945170040GB	CLIP	3
17406202411	INSULATOR , HOOD	1
16705244100	CHAIN COMP , LH CHECK	2
16702191021	GEAR , HUB PTO	1
17995031500	PIN COMP , HYD	1
16702440021	ROD , RANGE 275	1
12386310010	MAT , FLOOR	1
12397027500GB	FRAME COMP , LOW RH	1
16705145300	FORK COMP , UPR	1
11147022200	GAS SPRING , ROPS	1
16702171041	SHAFT , PTO CLUTCH	1
16702611011	GEAR , SPUR 25T	1
16703180052M	METAL , DIFF CASE R	1
12383201000	HOUSING , LH RR AXLE SUB ASSY	1
V7801000002	PLUG , HEX-SOCKET	6
12386312001GB	PANEL COMP , FLOOR	1
17461032300	SPACER	1
V2514410060	BOLT , STUD/2	4
16703002012	PINION , DRIVE 9	1
V6812000010	BALL , STEEL	1
12352100011M	CASE , FR TRANSMISSION	1
15534073501	HOSE ASSY, HYD 950/T	1
V2163808020	BOLT , HEX/P	8
V2023612045	BOLT , HEX FINE	4
17409209010	LABEL , OPERATION/DPF REGEN SW	1
13015504101	VALVE ASSY , LOADER(DUKIN)	1
16991600090	PROTECTOR , 70	1
10532310080	COLLAR , 12X24X8	1
17995040121	SPRING	1
V2513412090	BOLT , STUD/2	2
17401040020	HOSE . RADIATOR OUTLET	1
V7641500000	NIPPLE , GREASE/C-PT	1
17406203010	PLATE , UPR/SIDE	4
13016202806GB	PLATE COMP , BONNET HINGE	1
14724042401GB	LEVER COMP , TILT	1
16994012020	COVER , STEERING	1
14473172630	BOLT	8
17461032200GB	ALTERNATOR PLATE	1
17995030070	BUSH	1
12345153300GB	PIPE COMP , FR SUCTION	1
18366017300GB	BRACKET COMP , FR/HOOD	1
14724040201GB	PLATE , GUIDE	1
12136112001	SEAT ASSY	1
15004170010	TUBE , 8-16	2
13019130000	WEIGHT KIT(TE40)	1

PART NUMBER

DESCRIPTION

QTITY for EACH TRACTOR

V2174610050	BOLT , HEX/S	10
10531163810	BRACKET , P	1
12341054200DD	PIPE COMP, EXHAUST	1
V2013608095	BOLT , HEX	2
13016313100GB	STAY SUB , SIDE MIRROR	2
12135110050	GRIP , ORANGE	1
14726063502SR	FENDER COMP , LH	1
17409132100GB	BRACKET COMP , WEIGHT	1
V3343600140	NUT , HEX FINE/2	1
16704362201	METAL ASSY , PIVOT	1
13003180013M	CASE , DIFF	1
V7801000004	PLUG , HEX-SOCKET	3
V2173610085	BOLT , HEX/S	2
17995041100	LINK COMP , VALVE	1
17995041400	ARM , COMP , LINK	1
17995040150	LINK , CRANK LIFT	1
17995040160	PIN , LINK	1
17995060050	LINK COMP , B	1
14975089100	HYD ASSY , EXTERIOR	1
12136020650	CABLE ASSY , HOOD	1
17406202300GB	FRAME COMP , HOOD/FR	1
13741162300	CABLE ASSY , H THROTTLE 890	1
13746462600	SWITCH ASSY , PTO MODE	1
17416031022NB	COVER , LOW DASHPANEL	1
14726063602SR	FENDER COMP , RH	1
14881116200	TANK SUB	1
12136503001	HARNESS	1
15829040220	LABEL , MODEL/EU	1
12519100140	LABEL , JACK POINT	1
13667012020	WASHER	1

FIG 100 T395NCEU1	ENGINE	년/월 Year/Month
		2022-12
NOTE		

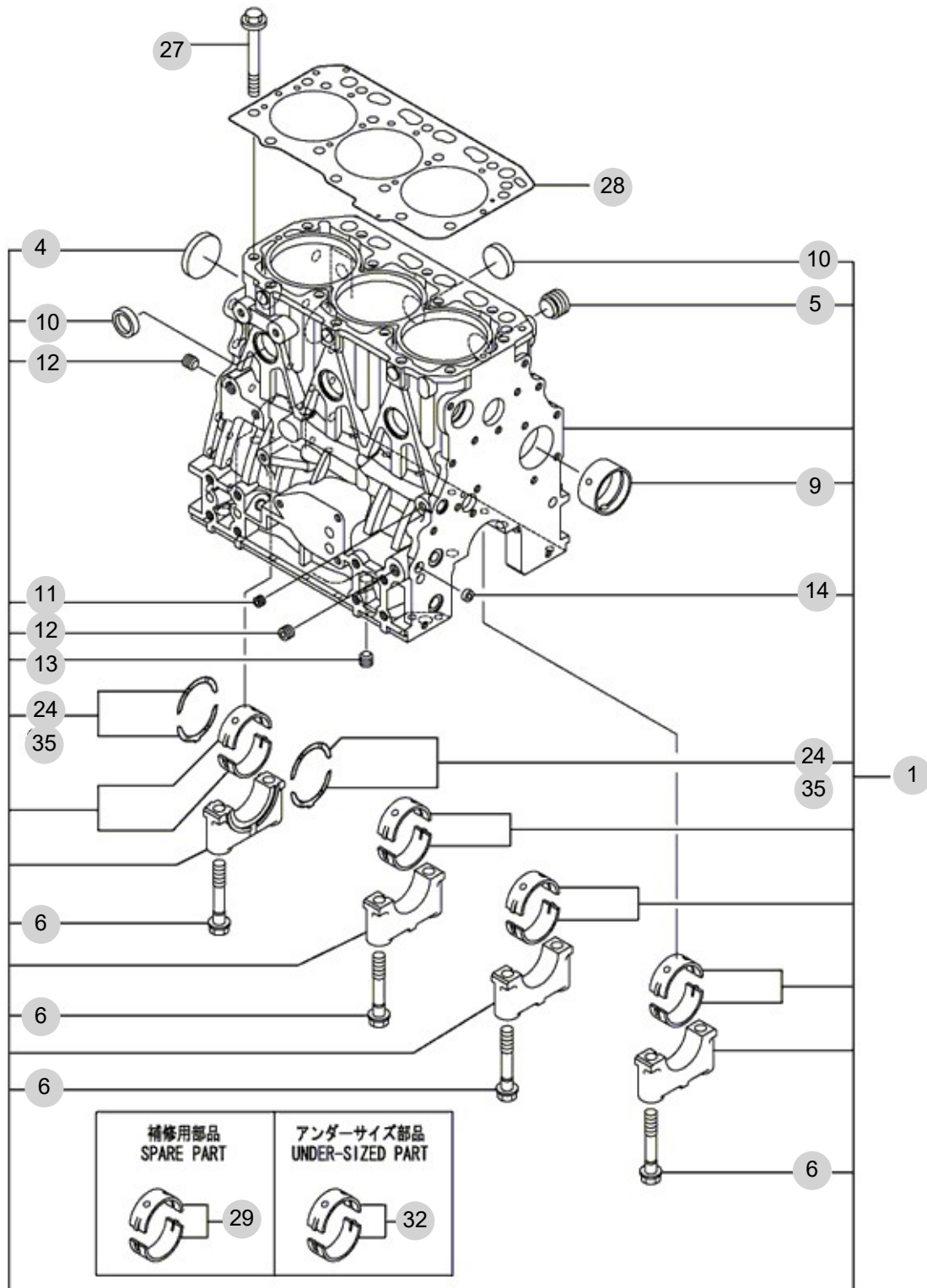
FIG 101

CYLINDER BLOCK

년/월
Year/Month

2022-12

T395NCEU1



NOTE

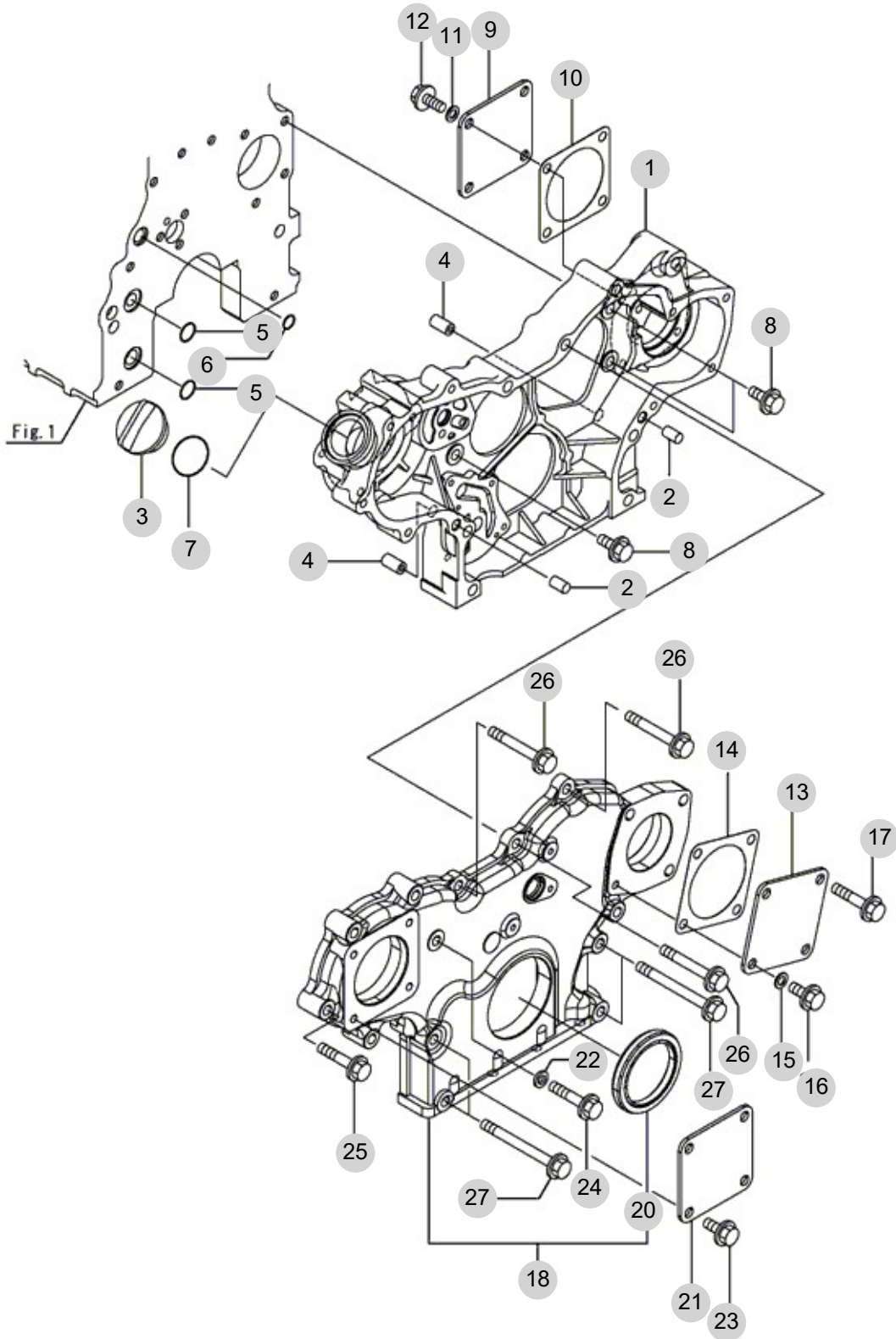
FIG 102

GEAR HOUSING

년/월
Year/Month

2022-12

T395NCEU1



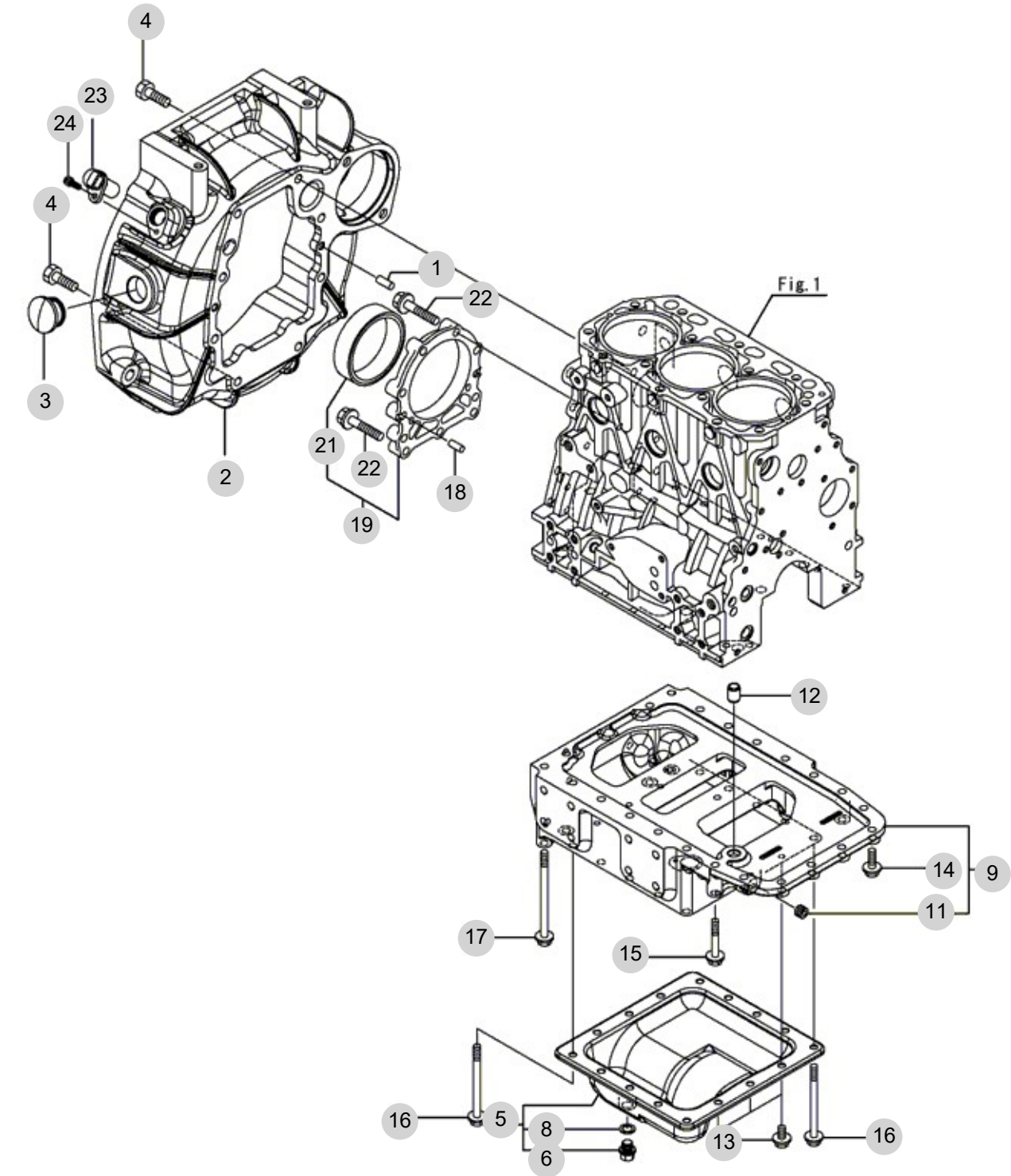
NOTE

FIG 103

FLYWHEEL HOUSING & OIL SUMP

년/월
Year/Month

2022-12



NOTE

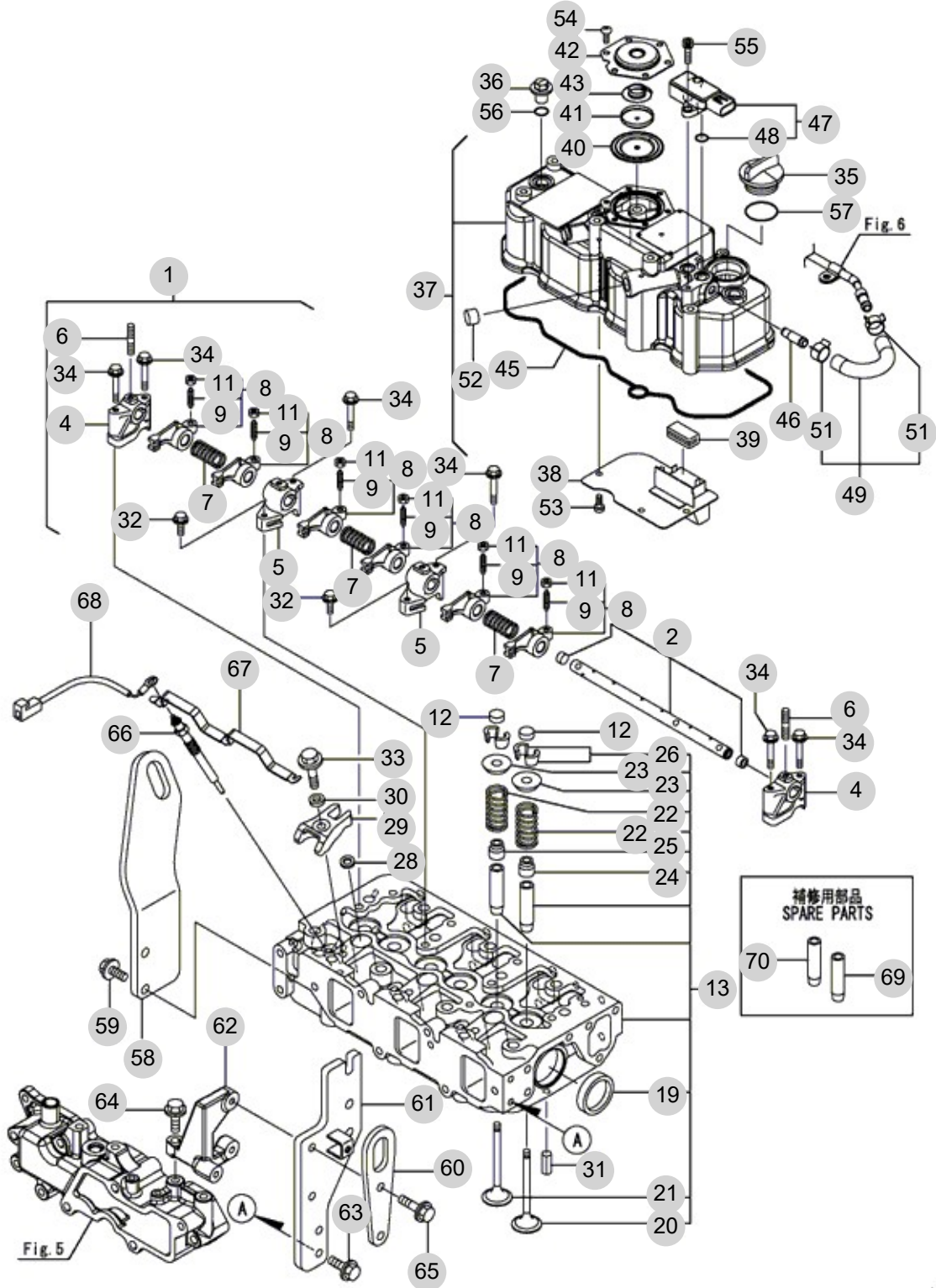
FIG 104

CYLINDER HEAD & BONNET

년/월
Year/Month

2022-12

T395NCEU1



NOTE

FIG 104 T395NCEU1		CYLINDER HEAD & BONNET					년/월 Year/Month	
							2022-12	
KEY NO	PART NO	DESCRIPTION	SPEC	QTY	REPAIR	EFFECTIVE DATE	REMARKS	
104	1	129004-11241	SHAFT ASSY, ROCKER		1			
104	2	129004-11251	SHAFT, ROCKER ARM		1			
104	4	119802-11260	SUPPORT, ROCKER ARM		2			
104	5	119802-11270	SUPPORT, ROCKER ARM		2			
104	6	119802-11280	BOLT, STUD		3			
104	7	129150-11280	SPRING, ROCKER		3			
104	8	129004-11650	ARM ASSY, ROCKER		6			
104	9	129150-11230	SCREW, VALVE ADJUST		6			
104	11	129150-11750	NUT, M8		6			
104	12	129150-11370	CAP, VALVE		6			
104	13	129A00-11710	HEAD ASSY, CYLINDER		1			
104	19	27241-400000	PLUG, 40		2			
104	20	129005-11100	VALVE, SUCTION		3			
104	21	129100-11112	VALVE, EXHAUST		3			
104	22	129795-11120	SPRING, VALVE		6			
104	23	129795-11180	RETAINER, SPRING		6			
104	24	124460-11340	SEAL, VALVE STEM		3			
104	25	129A00-11340	SEAL, VALVE STEM		3			
104	26	27310-080001	COTTER, 8		6			
104	28	129978-11871	GASKET,INJECTOR		3			
104	29	129A00-11900	RETAINER, INJECTOR		3			
104	30	120270-54410	WASHER, INJECTOR		3			
104	31	22351-060012	스프링핀		2			
104	32	26106-080252	육각플랜지볼트		2			
104	33	26106-080352	육각플랜지볼트		3			
104	34	26106-080502	BOLT, M8X 50 PLATED		6			
104	35	124160-01751	CAP, FILLER		1			
104	36	124160-11360	KNOB		3			
104	37	129A00-11360	BONNET ASSY		1			
104	38	129004-03010	PLATE, BAFFLE		1			
104	39	129150-03070	BAFFLE, BREATHER		1			
104	40	123907-03100	DIAPHRAGM		1			
104	41	123907-03110	PLATE		1			
104	42	123907-03120	PLATE, BREATHER		1			
104	43	123907-03140	SPRING, DIAPHRAGM		1			
104	45	129A00-11310	GASKET, BONNET		1			
104	46	129A00-11330	JOINT		1			
104	47	129978-12700	SENSOR,PRESSURE		1			
104	48	129A00-12780	O-RING,PRES SENSOR		2			
104	49	129A00-13360	HOSE ASSY, PRES EXH		1			
104	51	129A00-13380	CLIP, HOSE 14		2			
104	52	119640-61400	PLUG		1			
104	53	22857-500100	SCREW, 5X10		4			
104	54	22857-500100	SCREW, 5X10		6			
104	55	26450-060162	BOLT, M6X 16		2			
NOTE								

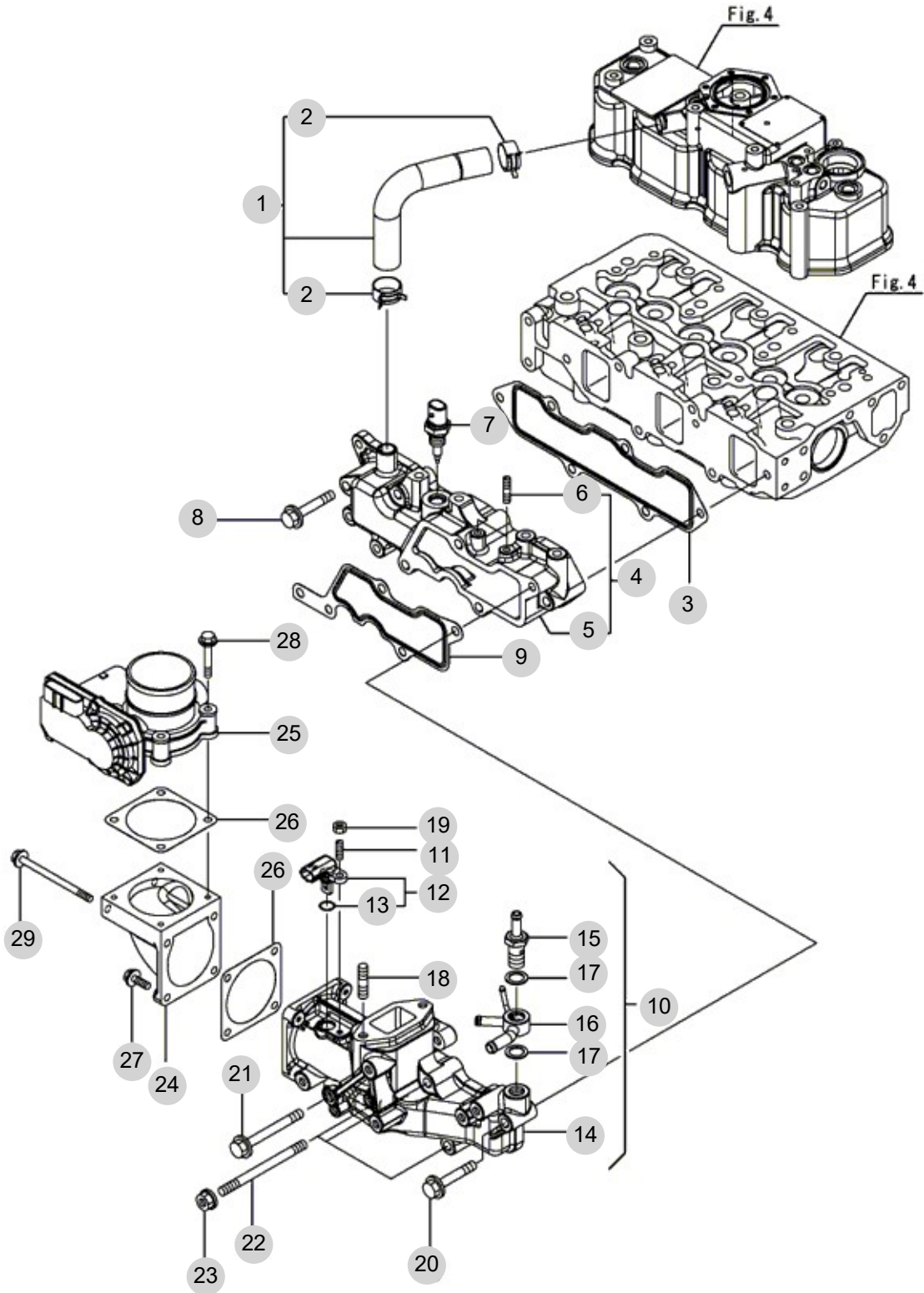
FIG 105

SUCTION MANIFOLD

년/월
Year/Month

2022-12

T395NCEU1



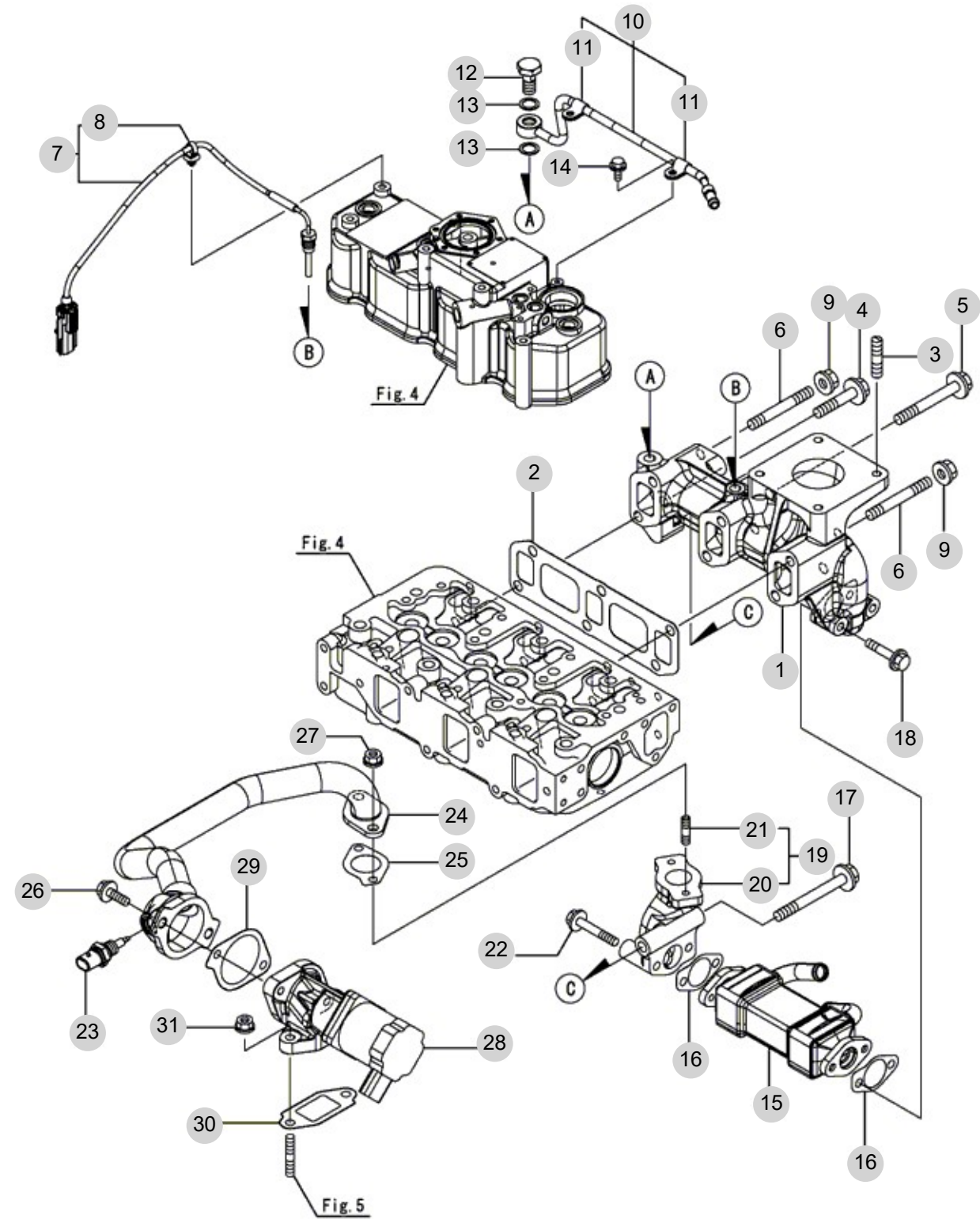
NOTE

FIG 106

EXHAUST MANIFOLD

년/월
Year/Month

2022-12



NOTE

FIG 106		EXHAUST MANIFOLD					년/월		REMARKS
							Year/Month		
T395NCEU1							2022-12		
KEY NO		PART NO	DESCRIPTION	SPEC	QTY	REPAIR	EFFECTIVE DATE		
106	1	129A00-13100	MANIFOLD, EXHAUST		1				
106	2	129A00-13110	GASKET, EXH MANIFOLD		1				
106	3	123900-13130	STUD, M10X22		4				
106	4	129A01-13601	BOLT, M10X50 10.9T		1				
106	5	129F01-13630	BOLT, M10X80 10.9T		3				
106	6	129A01-13700	STUD,10X80		2				
106	7	129A00-13770	SENSOR,EXH TEMP.		1				
106	8	129A00-91200	BAND CLIP		1				
106	9	26306-100002	NUT, M10		2				
106	10	129A00-13300	PIPE ASSY, EXHAUST P		1				
106	11	23297-080061	CLAMP, A8X 6		2				
106	12	129A00-13350	BOLT, PIPE JOINT		1				
106	13	23414-120000	GASKET, 12X1.0		2				
106	14	26106-060122	BOLT, M6X 12 PLATED		2				
106	15	129A00-13400	COOLER, EGR		1				
106	16	129A00-13410	GASKET, EGR COOLER		2				
106	17	129F01-13600	BOLT, M10X90 10.9T		1				
106	18	129E00-13620	BOLT, M8X40 10.9		2				
106	19	129A00-13851	PIPE CMP, EGR OUT		1				
106	20	129A00-13861	PIPE,EGR OUT		1				
106	21	129418-18320	BOLT, STUD M8X20		2				
106	22	26106-080502	BOLT, M8X 50 PLATED		2				
106	23	129A00-13751	SENSOR,EGR GAS TEMP		1				
106	24	129A00-13800	PIPE(EGR CMP		1				
106	25	129927-13810	GASKET		1				
106	26	26106-080252	육각플랜지볼트		2				
106	27	26306-080002	NUT, M8		2				
106	28	129A00-13901	VALVE, EGR		1				
106	29	129A00-13910	GASKET, EGR-V IN		1				
106	30	129A00-13920	GASKET(EGR-V OUT		1				
106	31	26306-080002	NUT, M8		2				
NOTE									

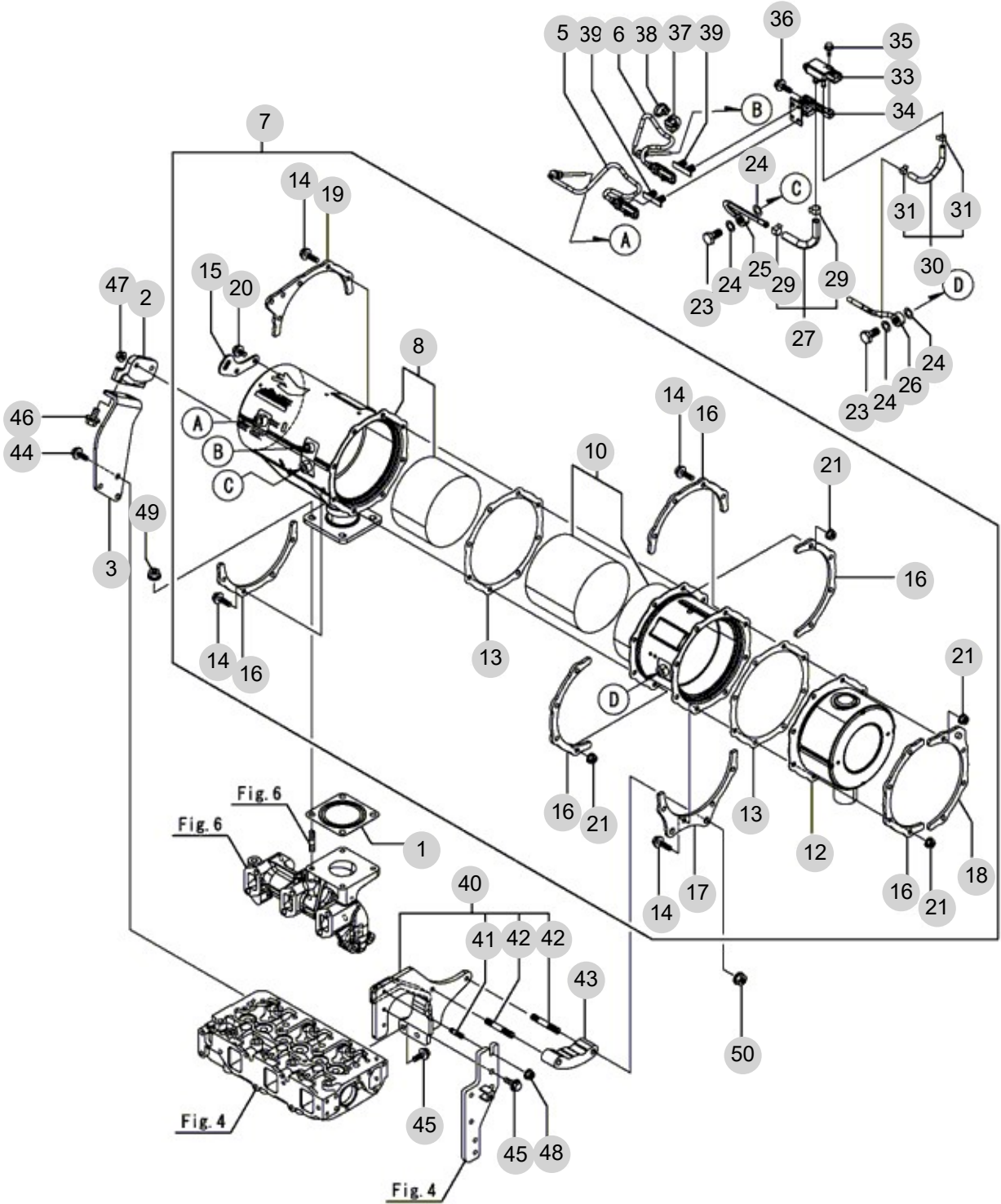
FIG 107

DIESEL PARTICULATE FILTER(DPF)

년/월
Year/Month

2022-12

T395NCEU1



NOTE

FIG 107 T395NCEU1		DIESEL PARTICULATE FILTER(DPF)					년/월 Year/Month	
							2022-12	
KEY NO	PART NO	DESCRIPTION	SPEC	QTY	REPAIR	EFFECTIVE DATE	REMARKS	
107	1	128300-13230	GASKET, SILENCER		1			
107	2	129A00-16820	STAY,DPF		1			
107	3	129A00-16830	STAY,DPF		1			
107	5	129C00-13940	SENSOR, EXH.TEMP		1			
107	6	129C00-13950	SENSOR, EXH.TEMP		1			
107	7	129A26-16000	DPF ASSY		1			
107	8	129A00-16210	CASE, DOC		1			
107	10	129A00-16410	CASE, SOOT FILTER		1			
107	12	129A00-16500	SILENCER, DPF		1			
107	13	129A00-16600	GASKET, DPF		2			
107	14	129A00-16610	BOLT, M8X28 10.9T		16			
107	15	129C01-16690	LIFTER, DPF		1			
107	16	129A00-16700	STIFFENER, DPF A		5			
107	17	129A00-16720	STIFFENER, DPF B		1			
107	18	129A00-16740	STIFFENER, DPF C		1			
107	19	129A00-16750	STIFFENER, DPF C		1			
107	20	26106-080142	BOLT, M8X 14 PLATED		2			
107	21	26306-080002	NUT, M8		16			
107	23	129A00-13350	BOLT, PIPE JOINT		2			
107	24	129A00-17311	GASKET,SENSOR		4			
107	25	129A00-17330	PIPE ASSY, SENSOR		1			
107	26	129A00-17360	PIPE ASSY, SENSOR		1			
107	27	129A00-17610	HOSE ASSY,PRES EXH		1			
107	29	129A00-17520	CLIP, HOSE		2			
107	30	129A00-17670	HOSE ASSY,PRES EXH		1			
107	31	129A00-17570	CLIP, HOSE		2			
107	33	129978-17700	SENSOR,PRESSURE		1			
107	34	129A00-17780	BRACKET, SENSOR		1			
107	35	26106-060162	BOLT, M6X 16 PLATED		2			
107	36	26106-080202	BOLT, M8X 20 PLATED	8X20	2			
107	37	129A00-91200	BAND CLIP		1			
107	38	129C00-91200	BAND		1			
107	39	129A00-91430	CLIP, CONNECTOR		2			
107	40	129A26-17360	STAY ASSY, DPF		1			
107	41	26216-080202	STUD, M8X 20		1			
107	42	26216-100552	STUD, M10X 55		2			
107	43	129A23-17370	SPACER, DPF		1			
107	44	26106-080162	육각플랜지볼트		3			
107	45	26106-080202	BOLT, M8X 20 PLATED	8X20	4			
107	46	26106-100202	육각플랜지볼트		2			
107	47	26306-080002	NUT, M8		2			
107	48	26306-080002	NUT, M8		1			
107	49	26306-100002	NUT, M10		4			
107	50	26306-100002	NUT, M10		2			
NOTE								

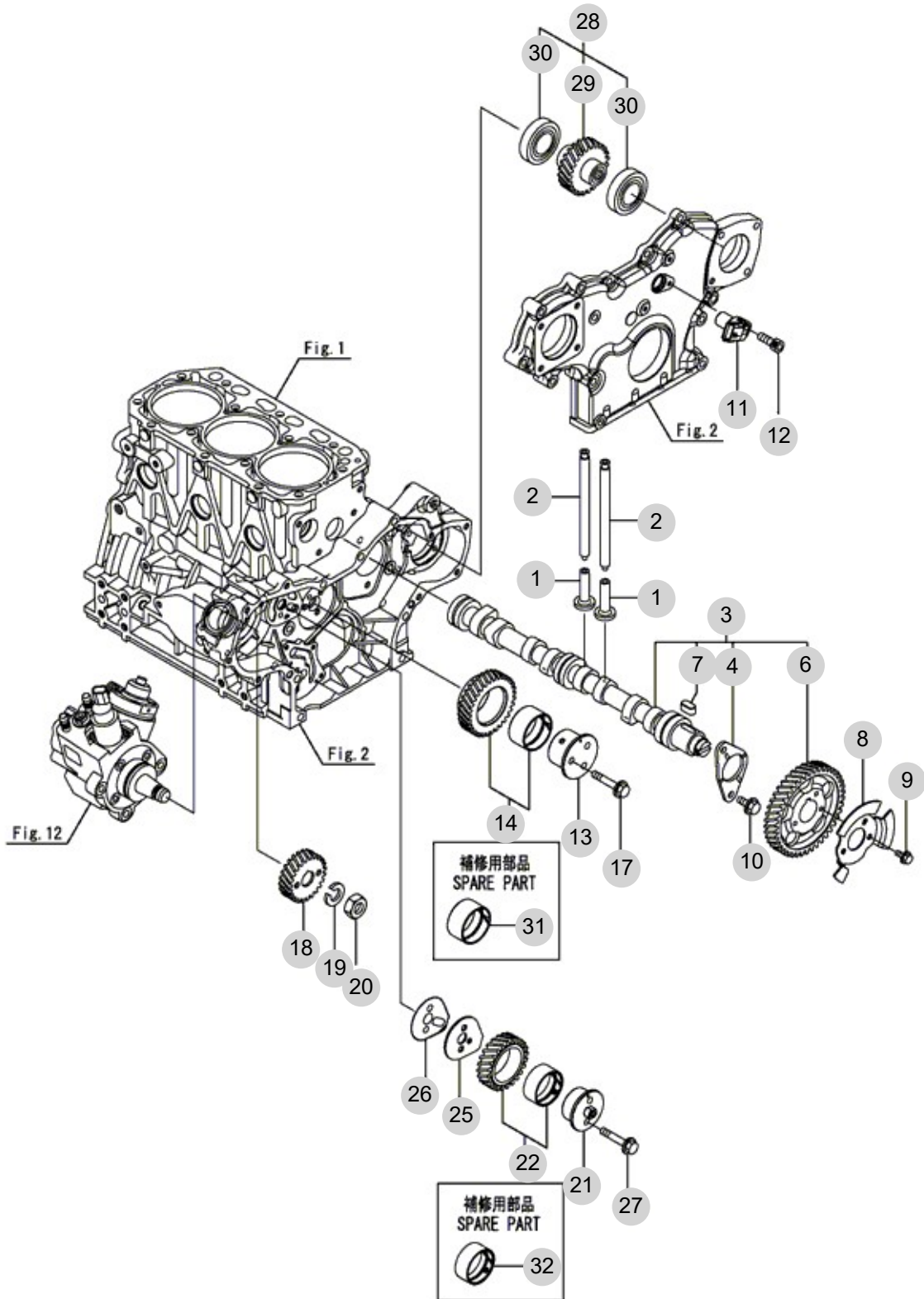
FIG 108

CAMSHAFT & DRIVING GEAR

년/월
Year/Month

2022-12

T395NCEU1



NOTE

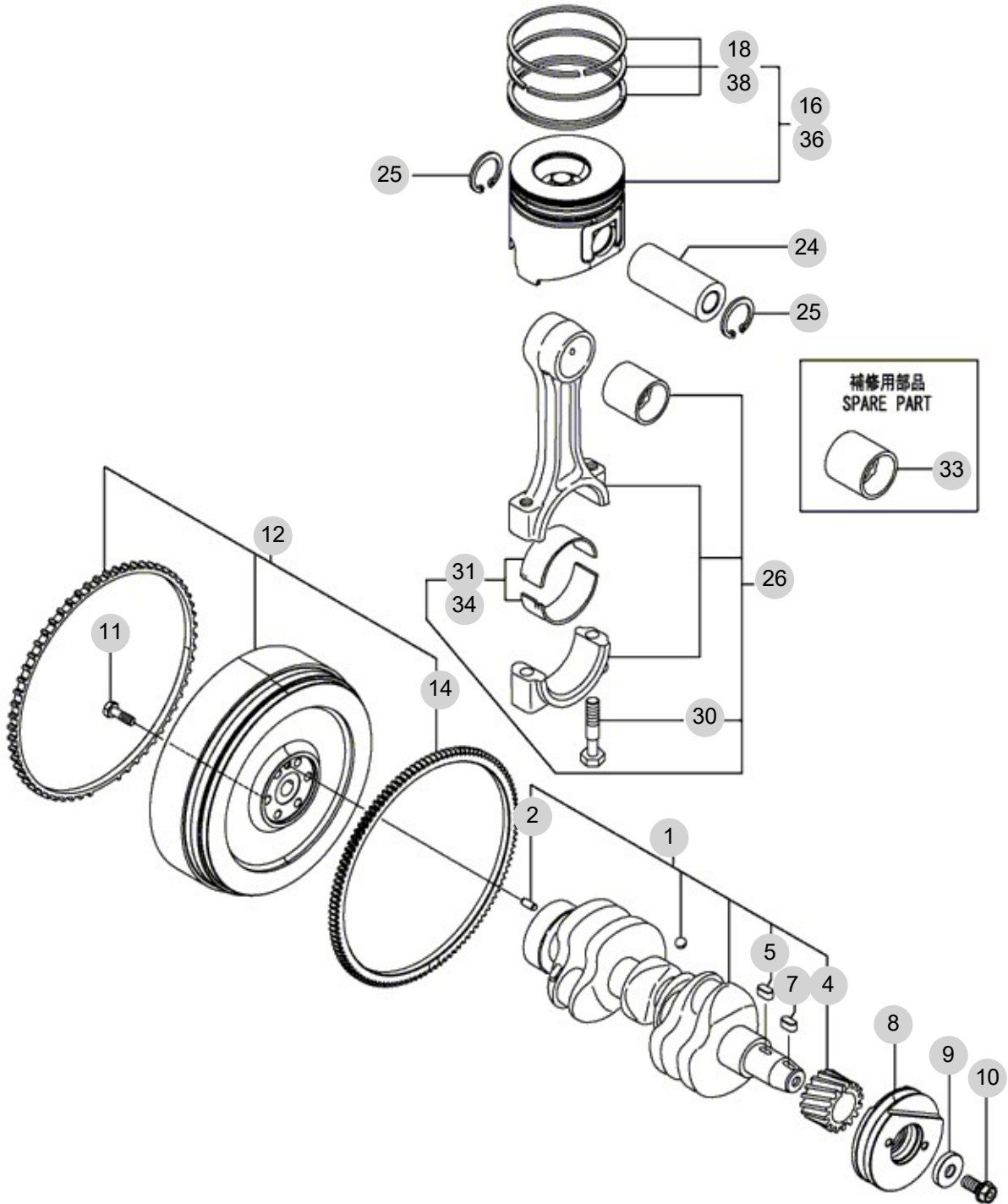
FIG 109

CRANKSHAFT & PISTON

년/월
Year/Month

2022-12

T395NCEU1



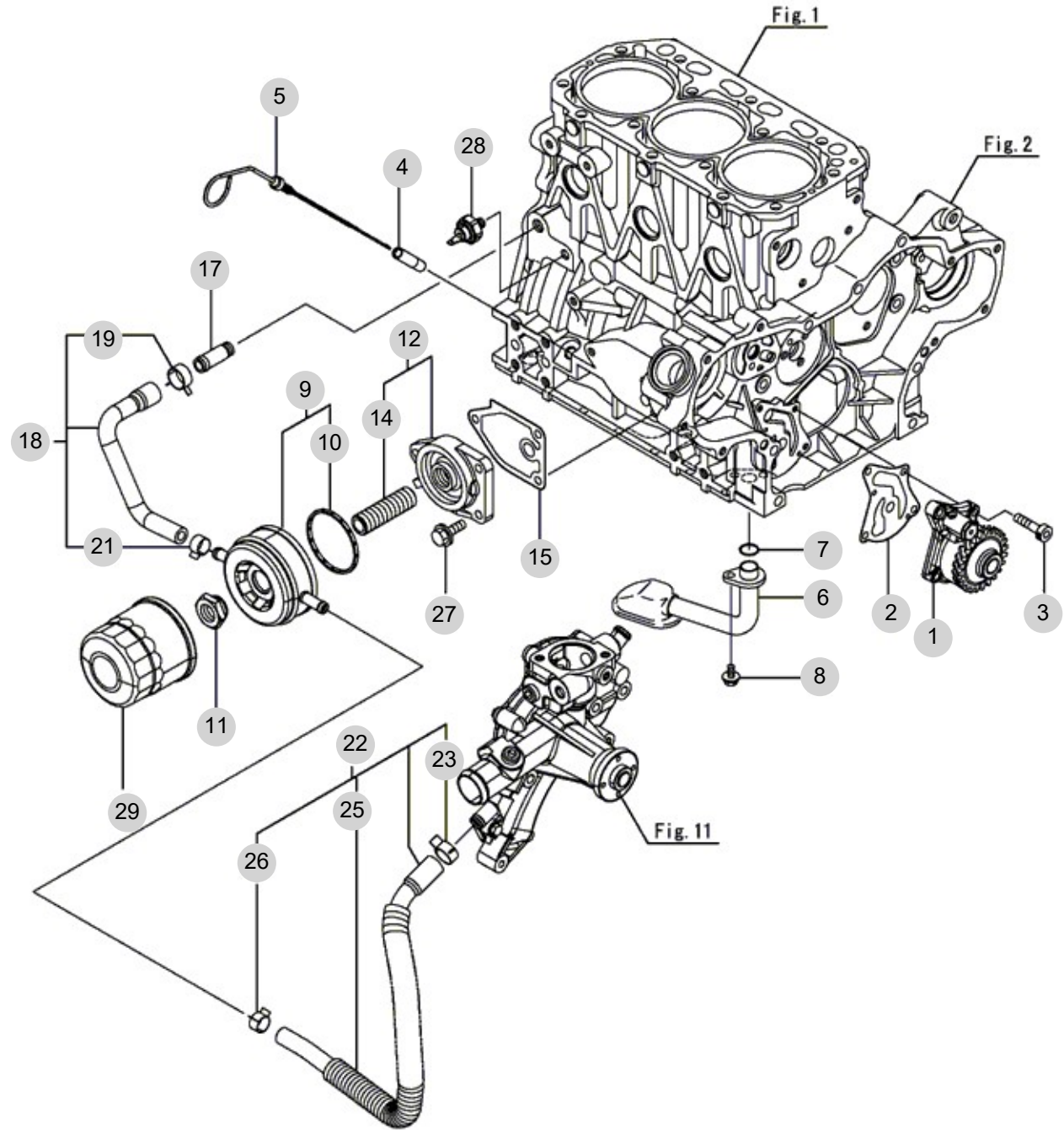
NOTE

FIG 110

LUB OIL SYSTEM

년/월
Year/Month

2022-12



NOTE

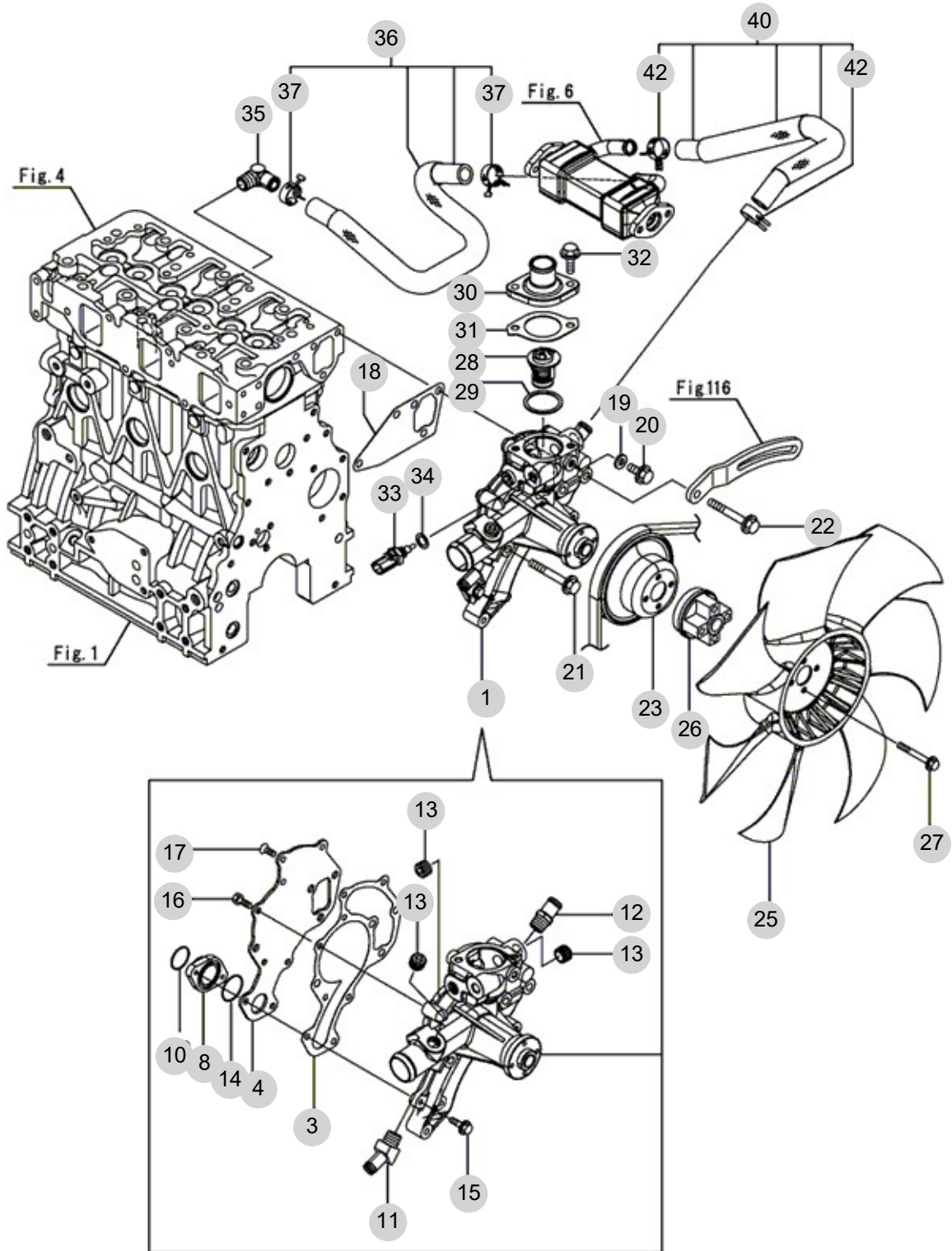
FIG 111

COOLING WATER SYSTEM

년/월
Year/Month

2022-12

T395NCEU1



NOTE

FIG 112

FUEL SUPPLY PUMP

년/월
Year/Month

2022-12

T395NCEU1

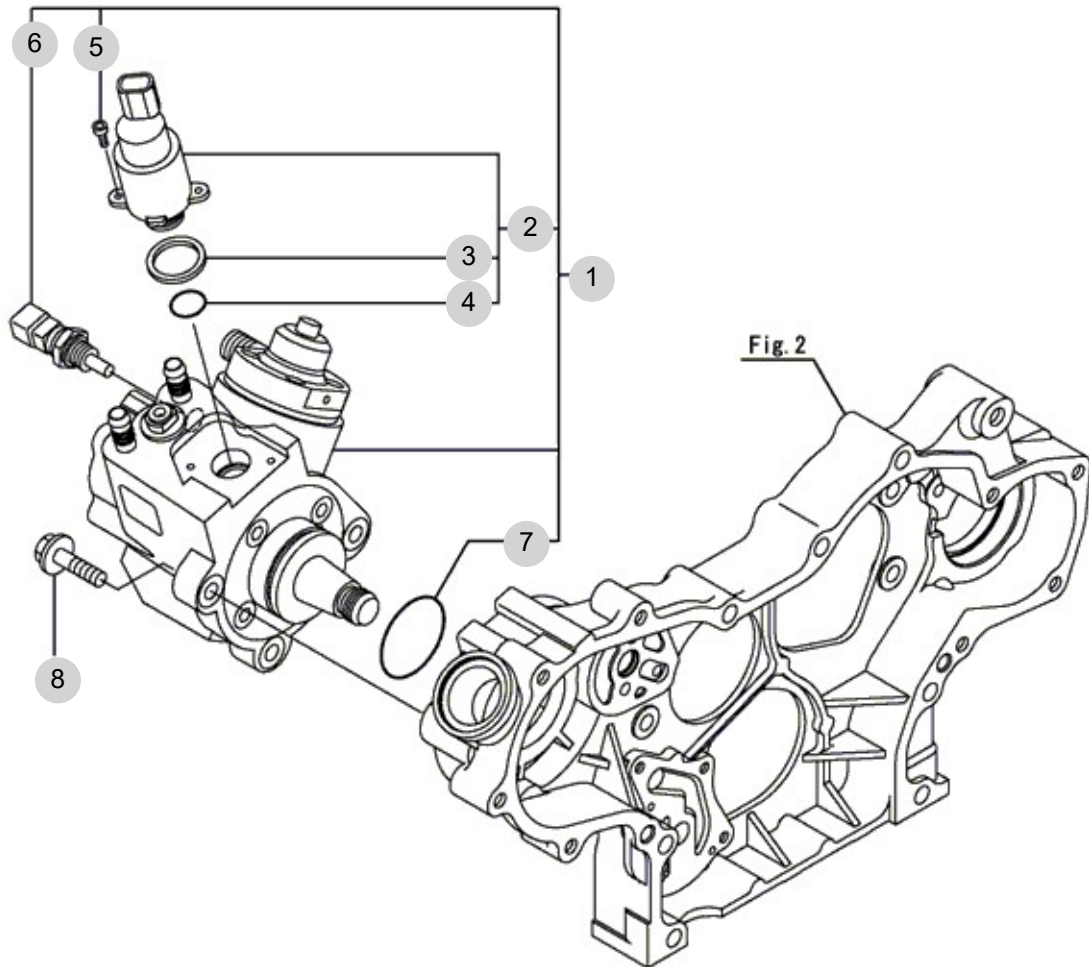


Fig. 2

NOTE

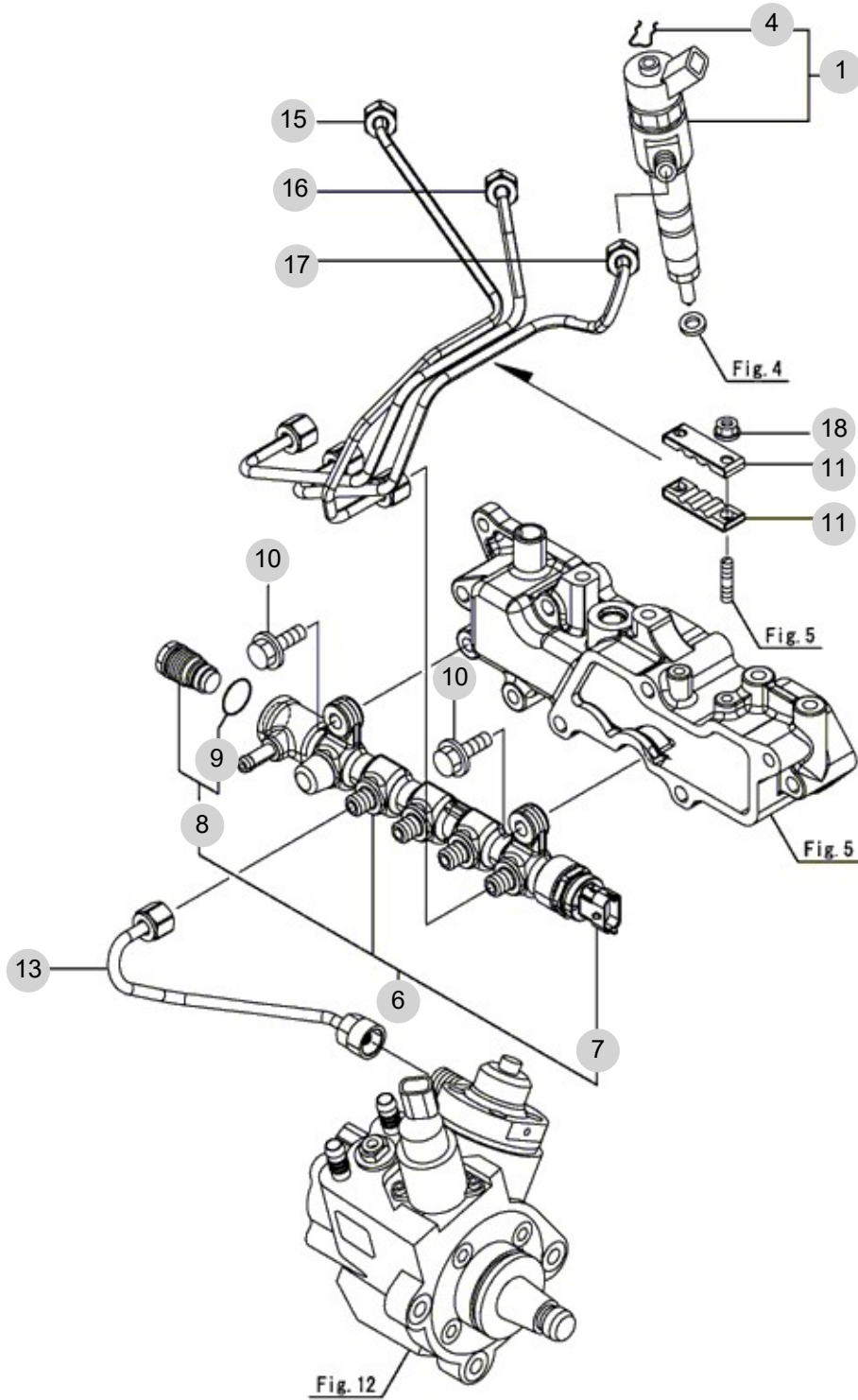
FIG 113

FUEL INJECTION VALVE

년/월
Year/Month

2022-12

T395NCEU1



NOTE

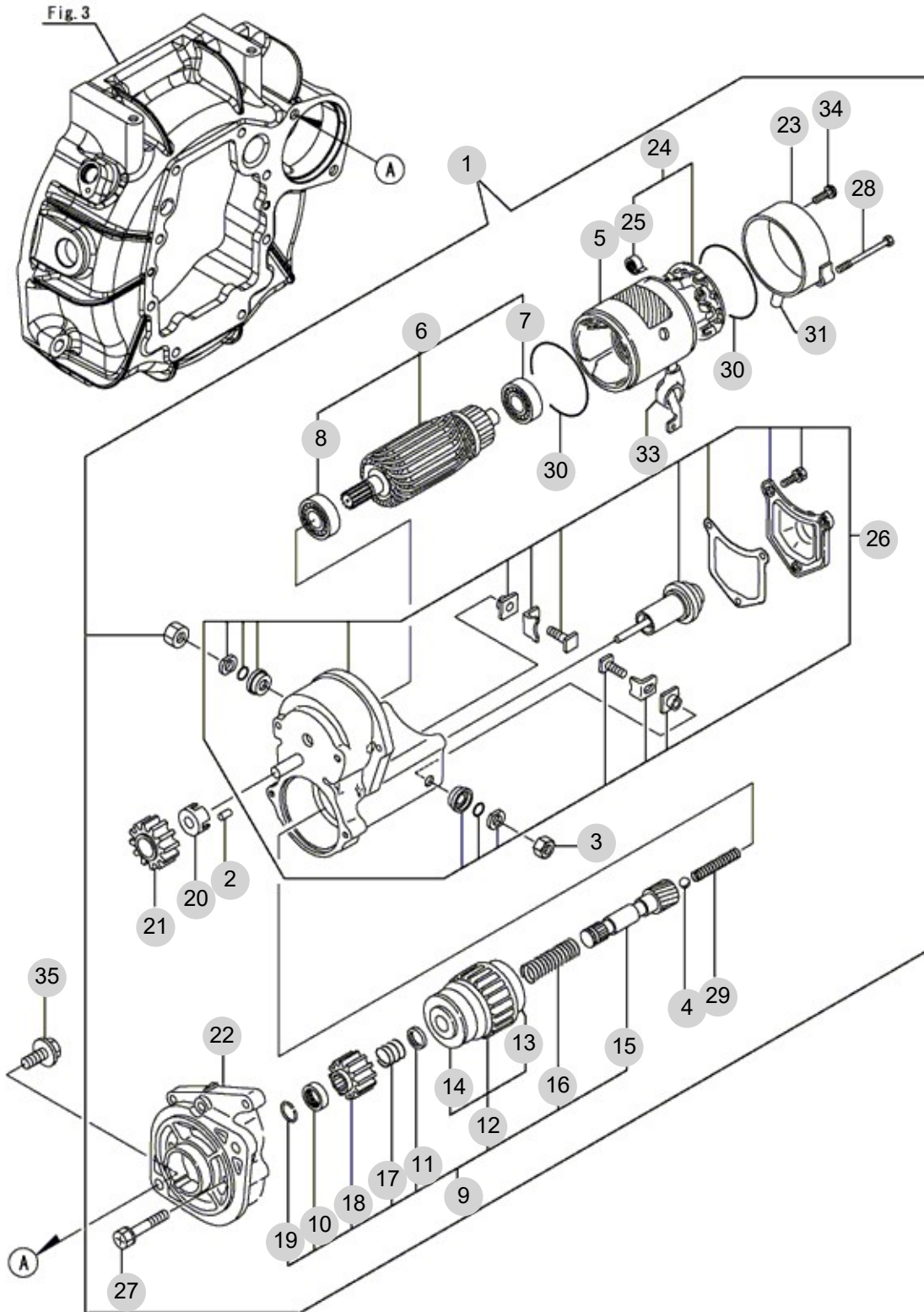
FIG 115

STARTER MOTOR

년/월
Year/Month

2022-12

T395NCEU1



NOTE

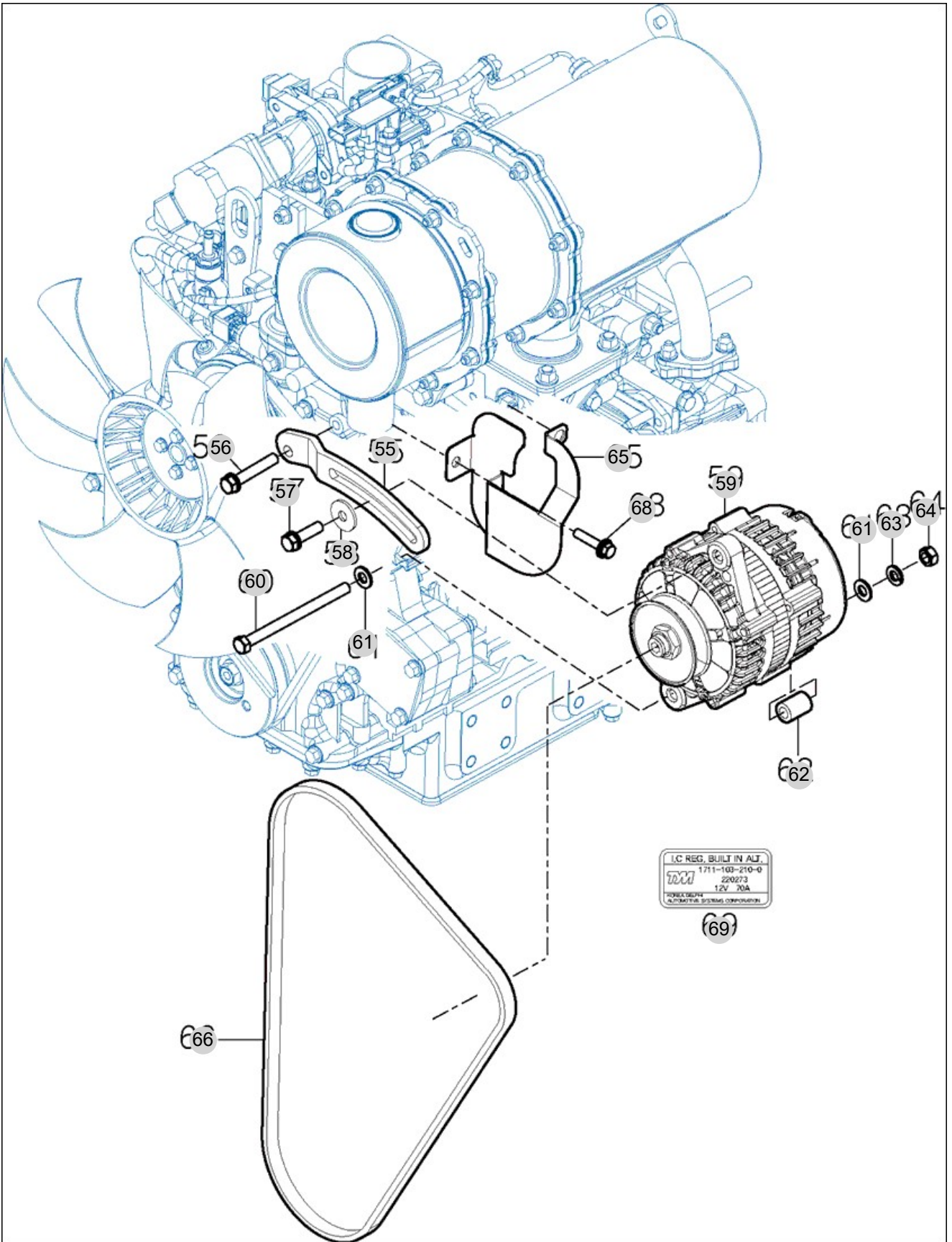
FIG 116

ALTERNATOR

년/월
Year/Month

2022-12

T395NCEU1



NOTE

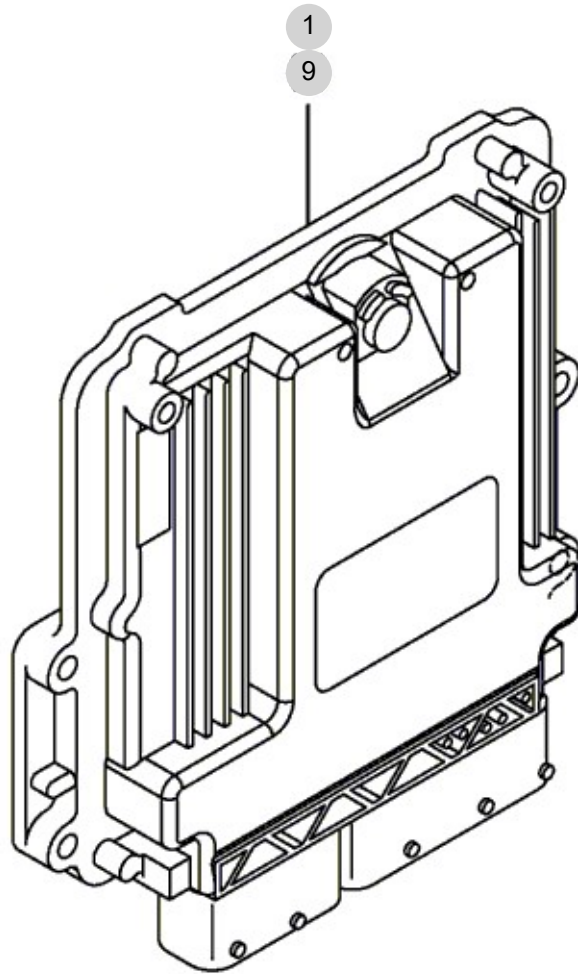
FIG 117

ELECTRONIC CONTROL UNIT(ECU)

년/월
Year/Month

2022-12

T395NCEU1



NOTE

FIG 117		ELECTRONIC CONTROL UNIT(ECU)					년/월 Year/Month 2022-12	
T395NCEU1								
KEY NO	PART NO	DESCRIPTION	SPEC	QTY	REPAIR	EFFECTIVE DATE	REMARKS	
117	1	129A26-75040	129A2675040-로 주문변경	1				
117	9	129A00-75910	ECU ASSY,SERVICE YMR	1				
NOTE								

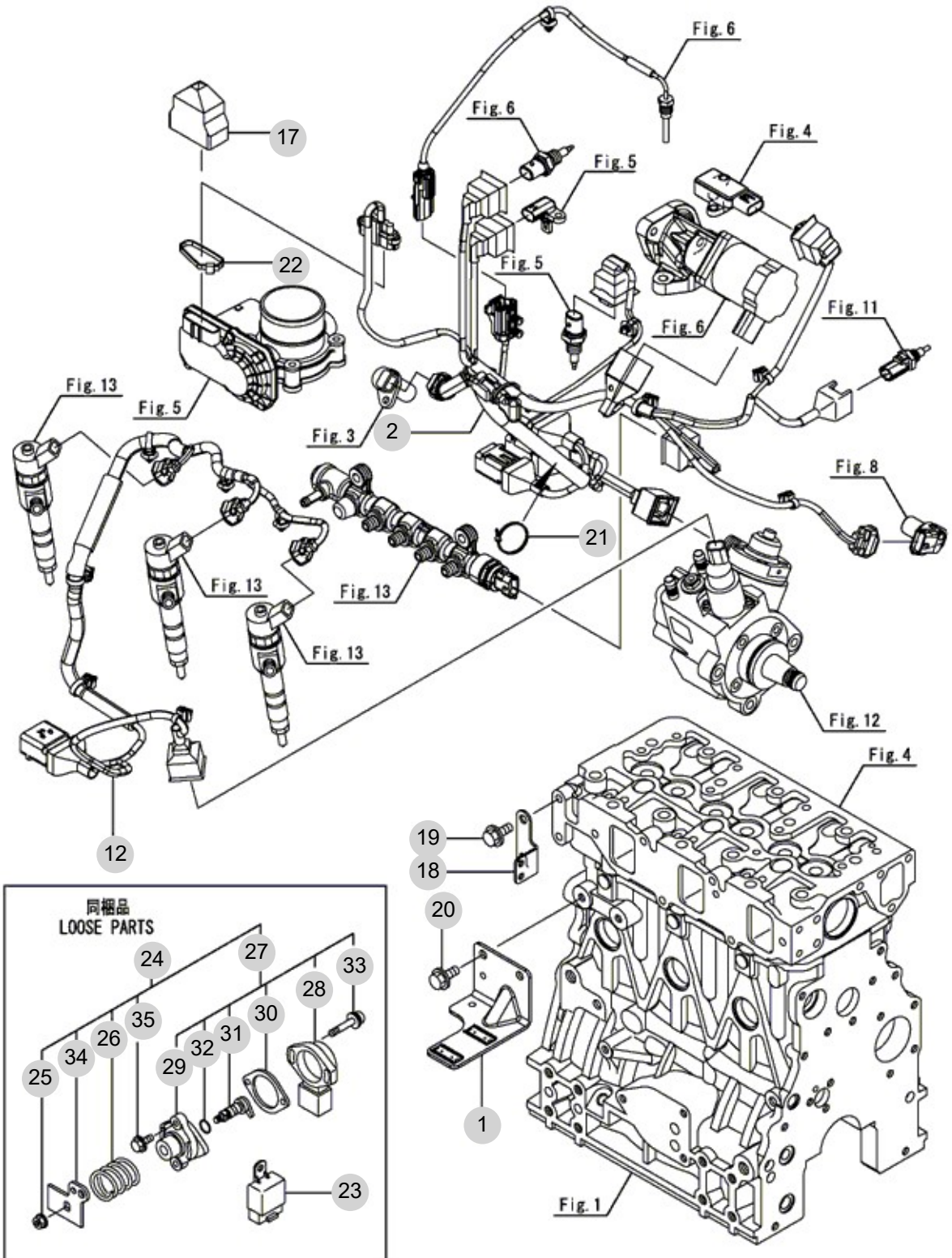
FIG 118

ELECTRIC PARTS

년/월
Year/Month

T395NCEU1

2022-12



NOTE

2. 엔진보기품 PART NO. T2

FIG 201 AIR CLEANER	47
FIG 202 RADIATOR	49
FIG 203 MUFFLER	51
FIG 204 FUEL TANK	53
FIG 205 ACCELERATOR	55

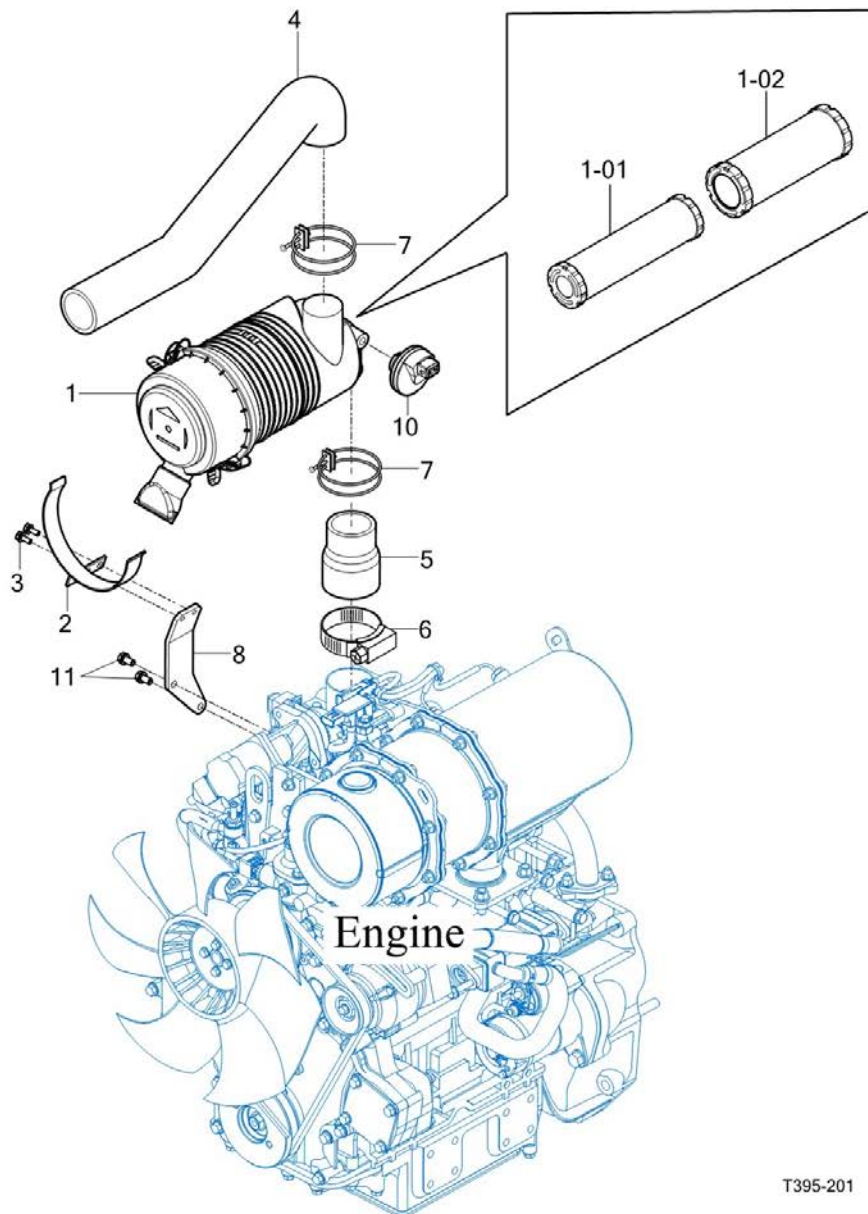
FIG 201

AIR CLEANER

년/월
Year/Month

2022-12

T395NCEU1



T395-201

NOTE

FIG 201 T395NCEU1		AIR CLEANER						년/월 Year/Month	
								2022-12	
KEY NO		PART NO	DESCRIPTION	SPEC	QTY	REPAIR	EFFECTIVE DATE	REMARKS	
201	1	13151035001	에어클리너 SUB ASSY(G057512)		1				
201	1	12341215000	에어클리너 ASSY , /5 inch (PICLON)		1				
201	1-01	13151035010	바디 ASSY(P533762)		1				
201	1-01	12341215010	엘리먼트 , 보조/CF 1005 5inch		1				
201	1-02	13151035020	ELEMENT , AIR CLEANER		1				
201	1-02	12341215020	엘리먼트 , 필터/C 11 1005 5inch		1				
201	1-03	13151035040	엘레먼트 ASSY(P822858)		1				
201	1-04	13151035030	커버 ASSY(P533761)		1				
201	2	13151032300	브래킷(가이드)COMP		1				
201	3	V2183608016	소형육각볼트보통(SP)	M8X16	2				
201	4	17401030020	흡기 호스(인렛)		1				
201	5	17401030030	흡기호스(아웃렛)		1				
201	6	18027090800	밴드 클램프 80 홍식		1				
201	7	18027090700	밴드 클램프 70 홍식		2				
201	8	17401032400GB	에어클리너 브래킷		1				
201	9	17401032500	어댑터		1				
201	10	18021032100	인디케이터 , REX770050 5KPa		1				
201	10	12341230040	인디게이터 , /3905070902 5kPa		1				
201	11	V2183608020	소형육각볼트보통(SP)	M8X20	2				
NOTE									

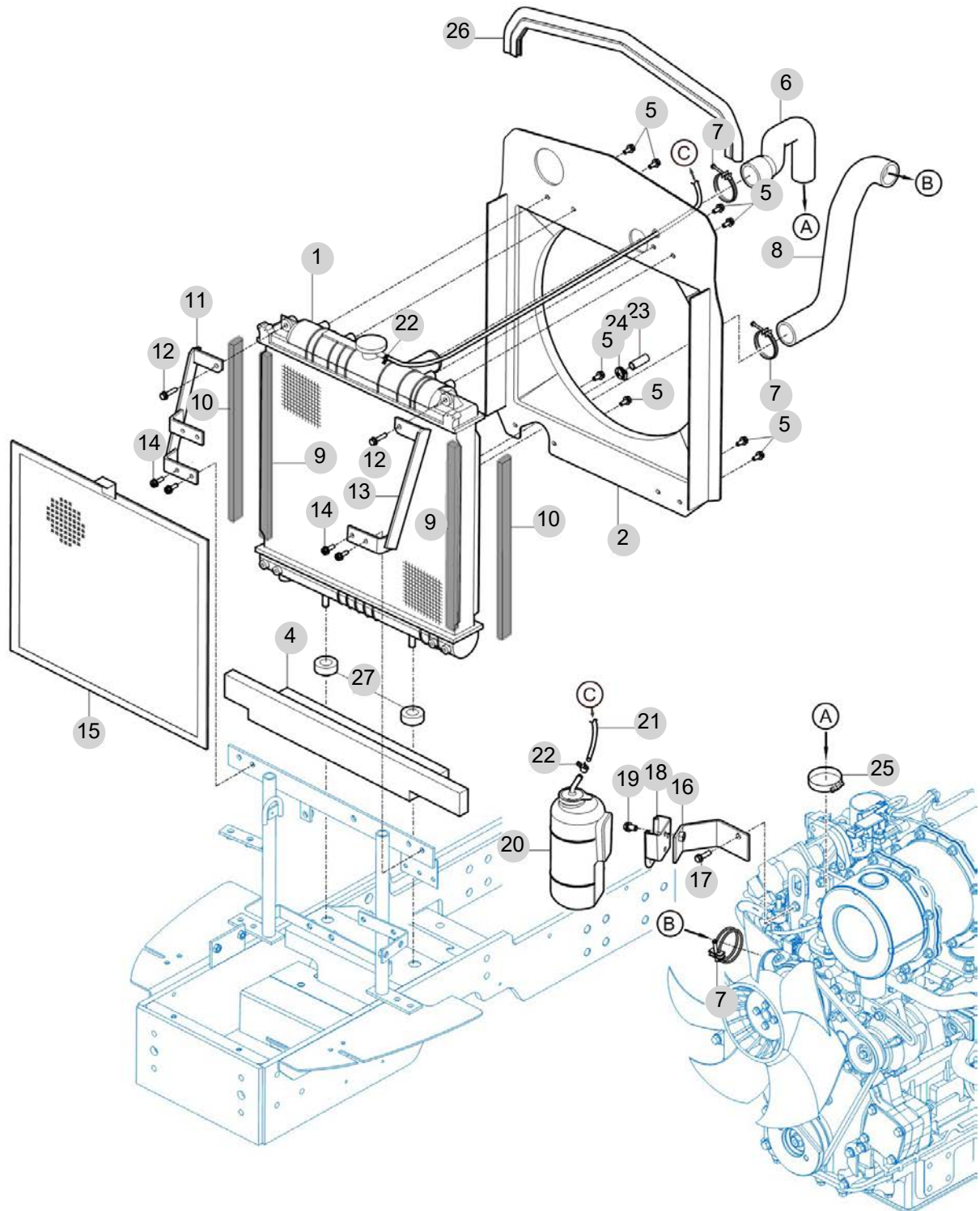
FIG 202

RADIATOR

년/월
Year/Month

2022-12

T395NCEU1



NOTE

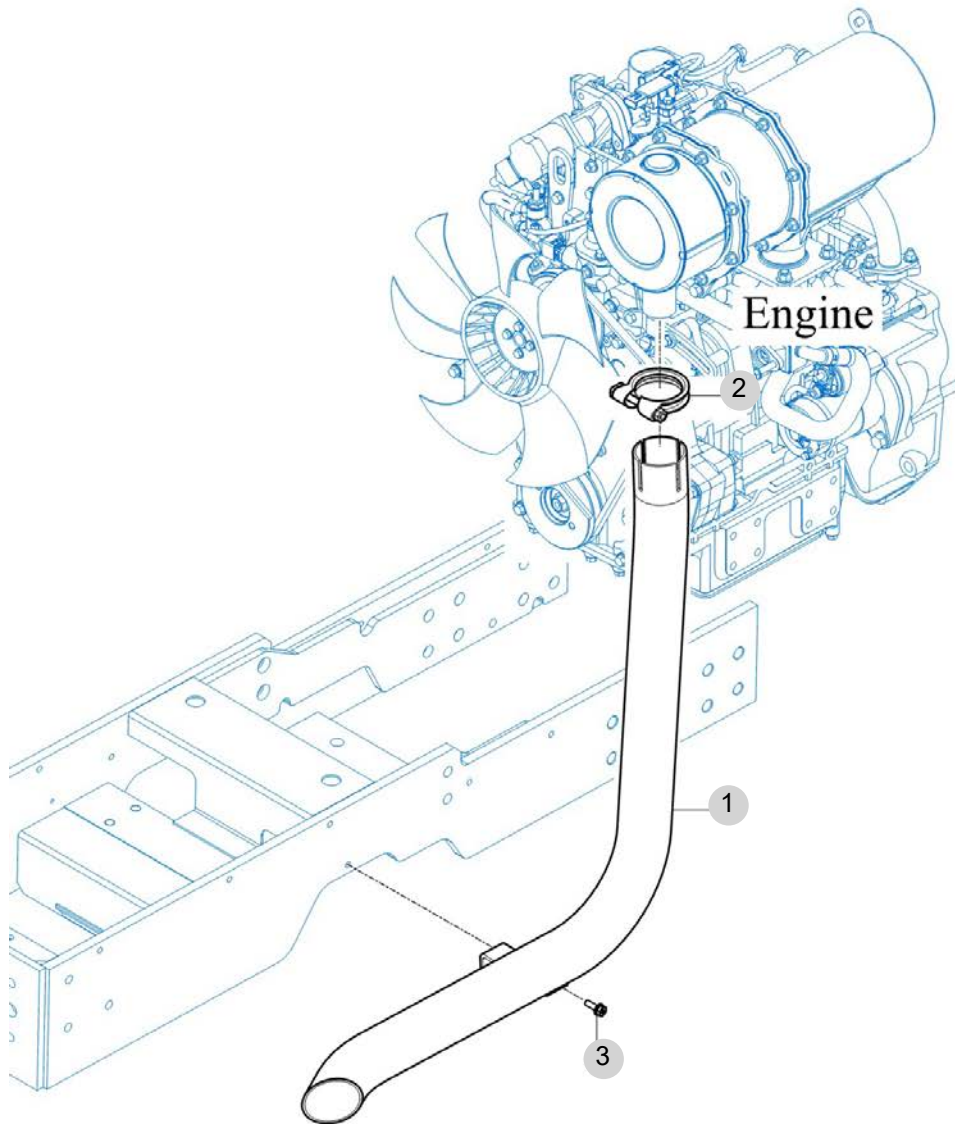
FIG 203

MUFFLER

년/월
Year/Month

2022-12

T395NCEU1



NOTE

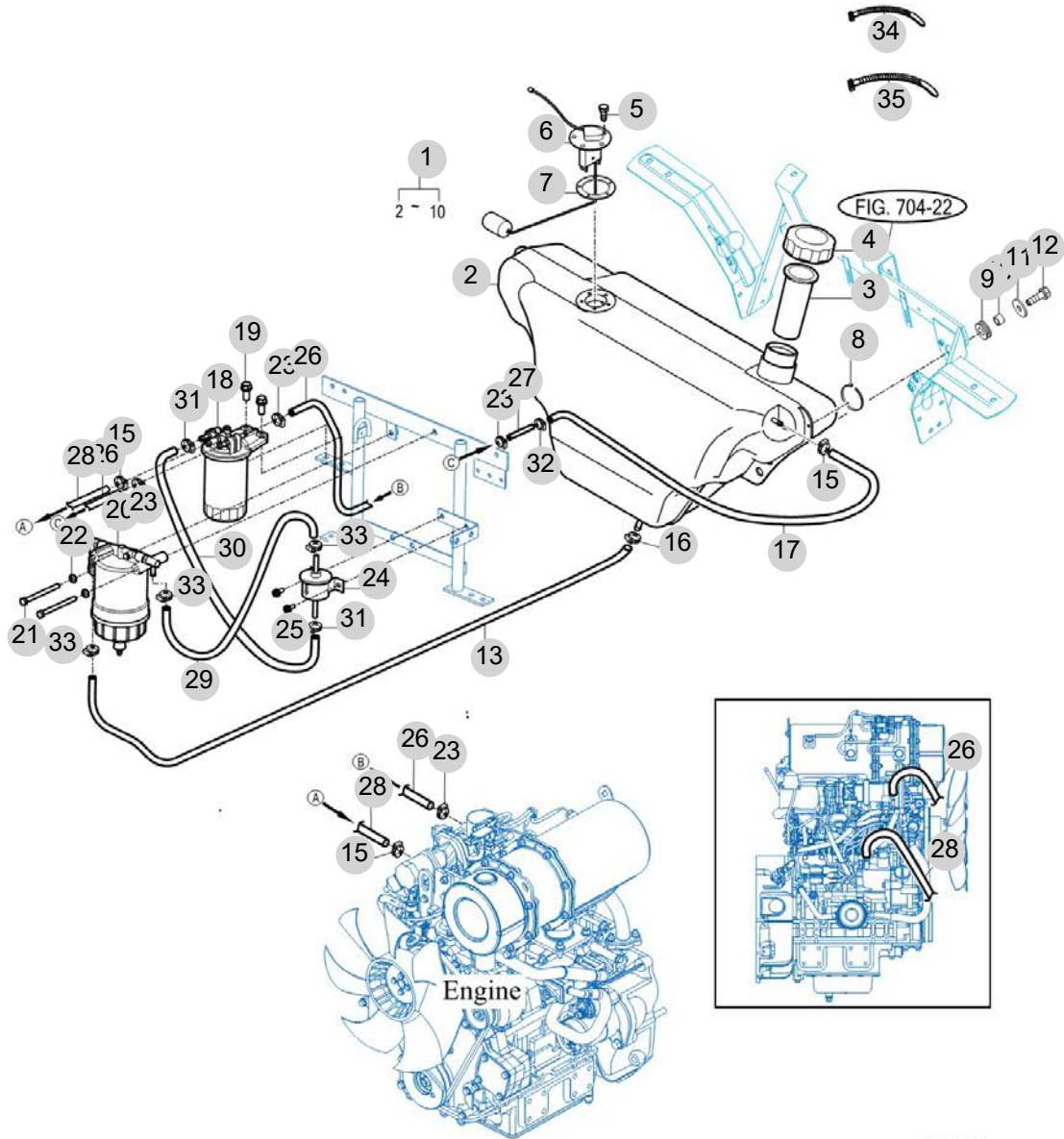
FIG 204

FUEL TANK

년/월
Year/Month

2022-12

T395NCEU1



T354-E-204

NOTE

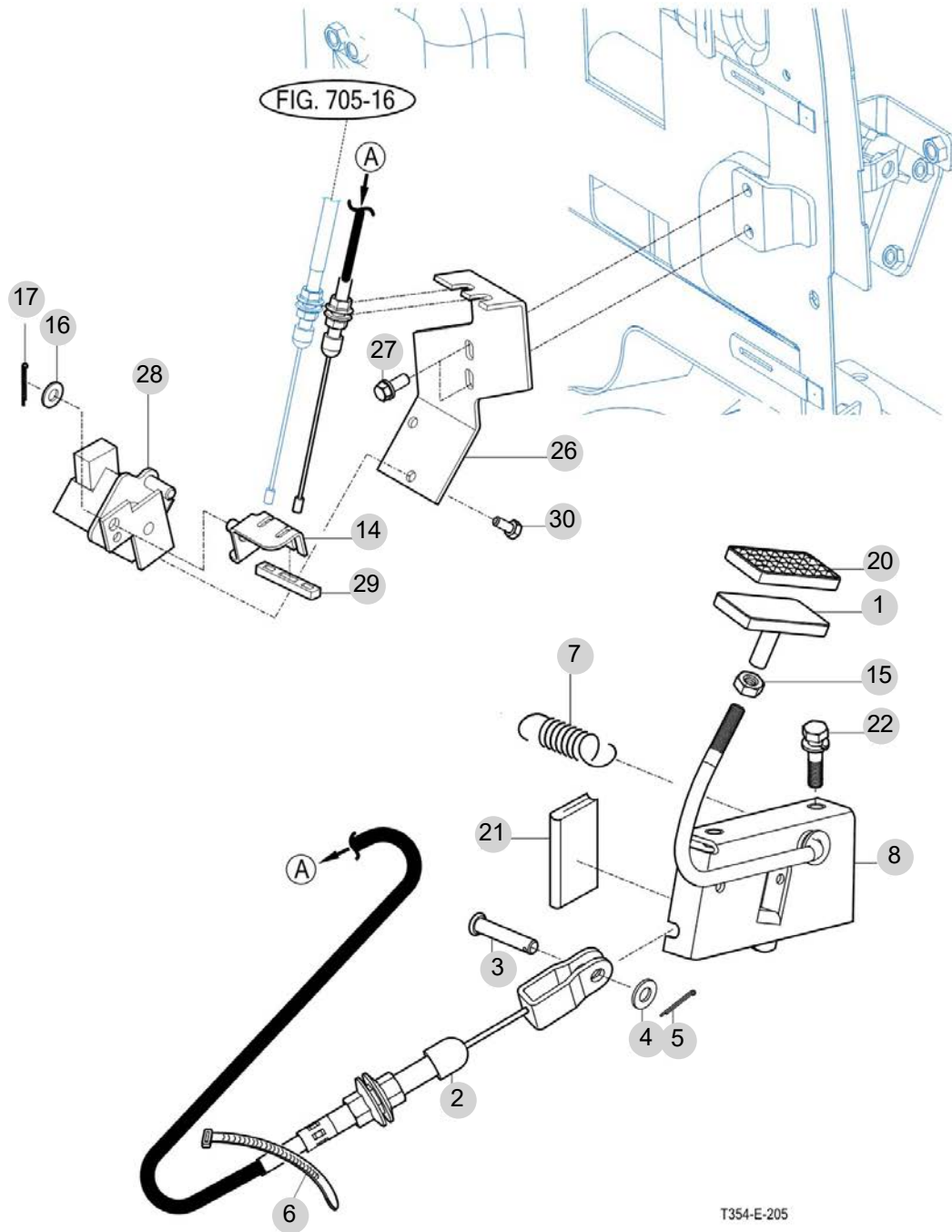
FIG 205

ACCELERATOR

년/월
Year/Month

2022-12

T395NCEU1



NOTE

3. 클러치/브레이크/스티어링 PART NO. T3

FIG 301 CLUTCH PEDAL	58
FIG 302 FLYWHEEL & CLUTCH	60
FIG 303 BRAKE PEDAL	62
FIG 304 BRAKE	64
FIG 306 FRONT WHEEL MOUNTING	66
FIG 307 REAR WHEEL MOUNTING	68
FIG 308 STEERING WHEEL	70
FIG 309 STEERING VALVE & TILT	72
FIG 310 STEERING CYLINDER	74
FIG 311 HAND BRAKE LINKAGE	76

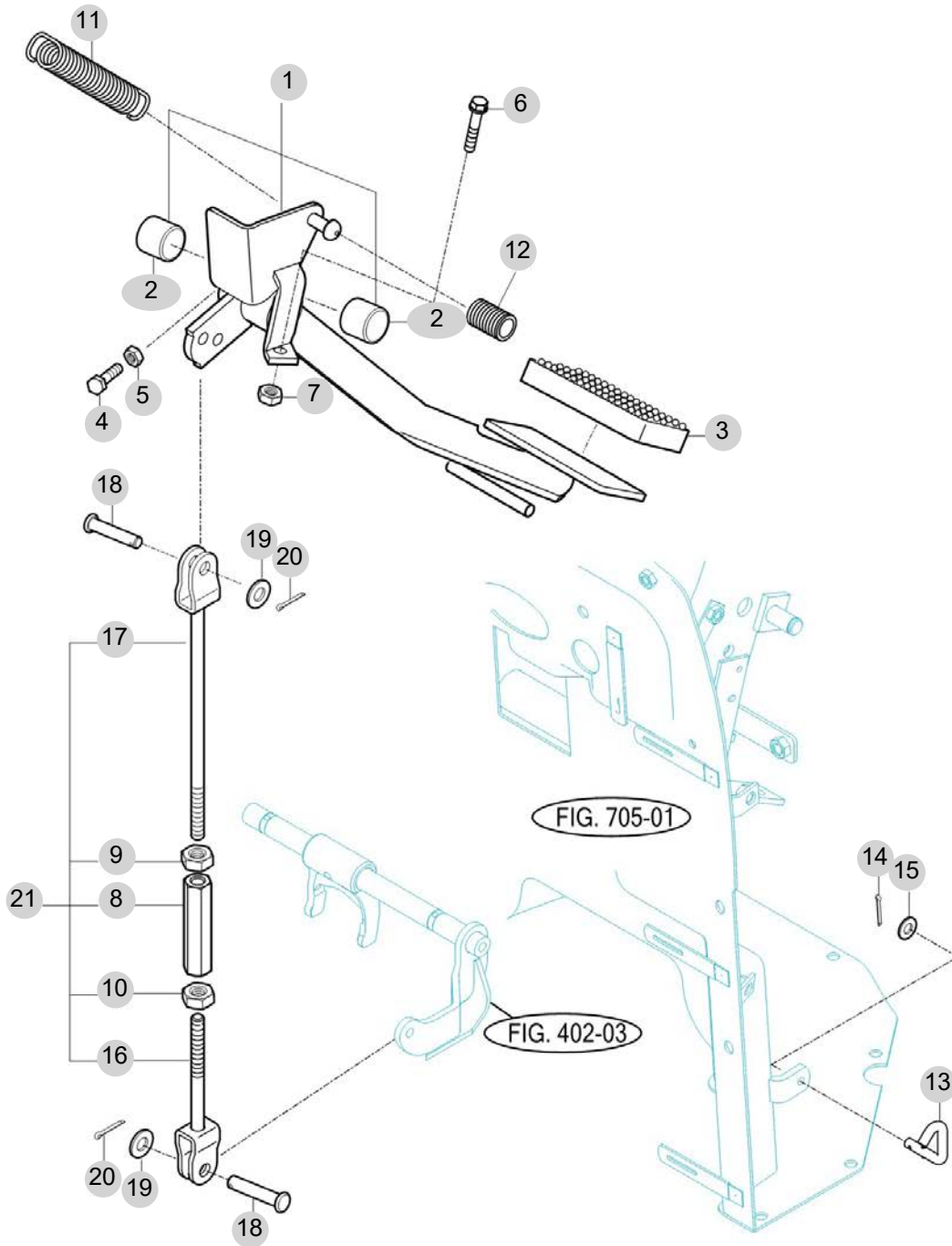
FIG 301

CLUTCH PEDAL

년/월
Year/Month

2022-12

T395NCEU1



T303/353NC-E-301

NOTE

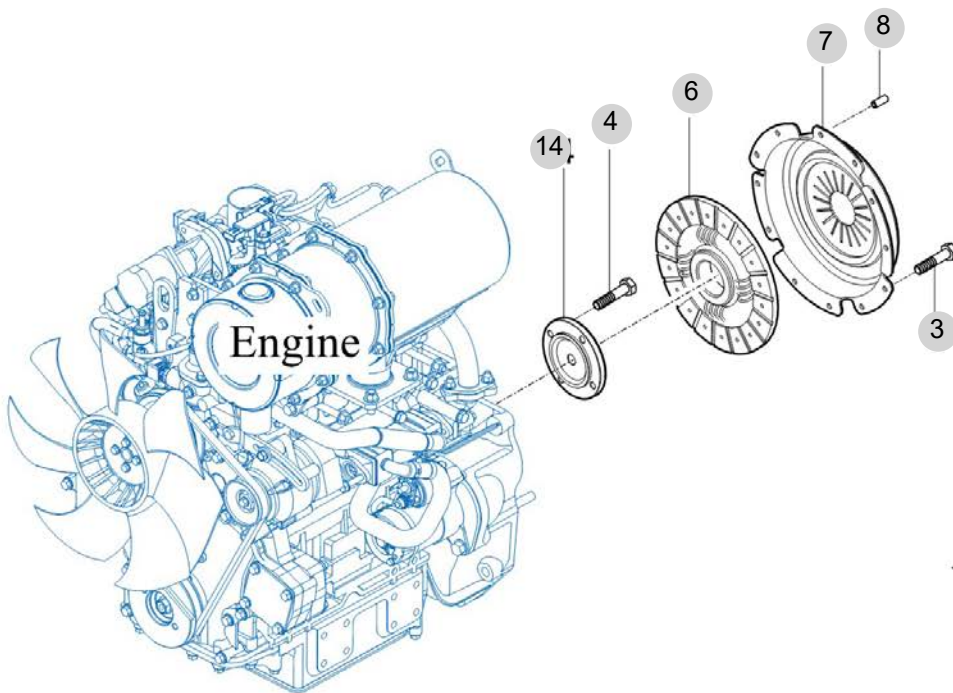
FIG 302

FLYWHEEL & CLUTCH

년/월
Year/Month

2022-12

T395NCEU1



T393-E-302

NOTE

FIG 302		FLYWHEEL & CLUTCH					년/월 Year/Month
T395NCEU1						2022-12	
KEY NO	PART NO	DESCRIPTION	SPEC	QTY	REPAIR	EFFECTIVE DATE	REMARKS
302	3	V2173608025	소형육각볼트보통(S)	M8X25	6		
302	4	V2144610030	소형육각볼트가는(S)		4		
302	6	14581212100	클러치디스크ASSY , 225		1		
302	7	14601212200	클러치커버ASSY		1		
302	8	V5211008016	평행핀(B)	8X16	3		
302	14	14941002021	PTO 커플링		1		
NOTE							

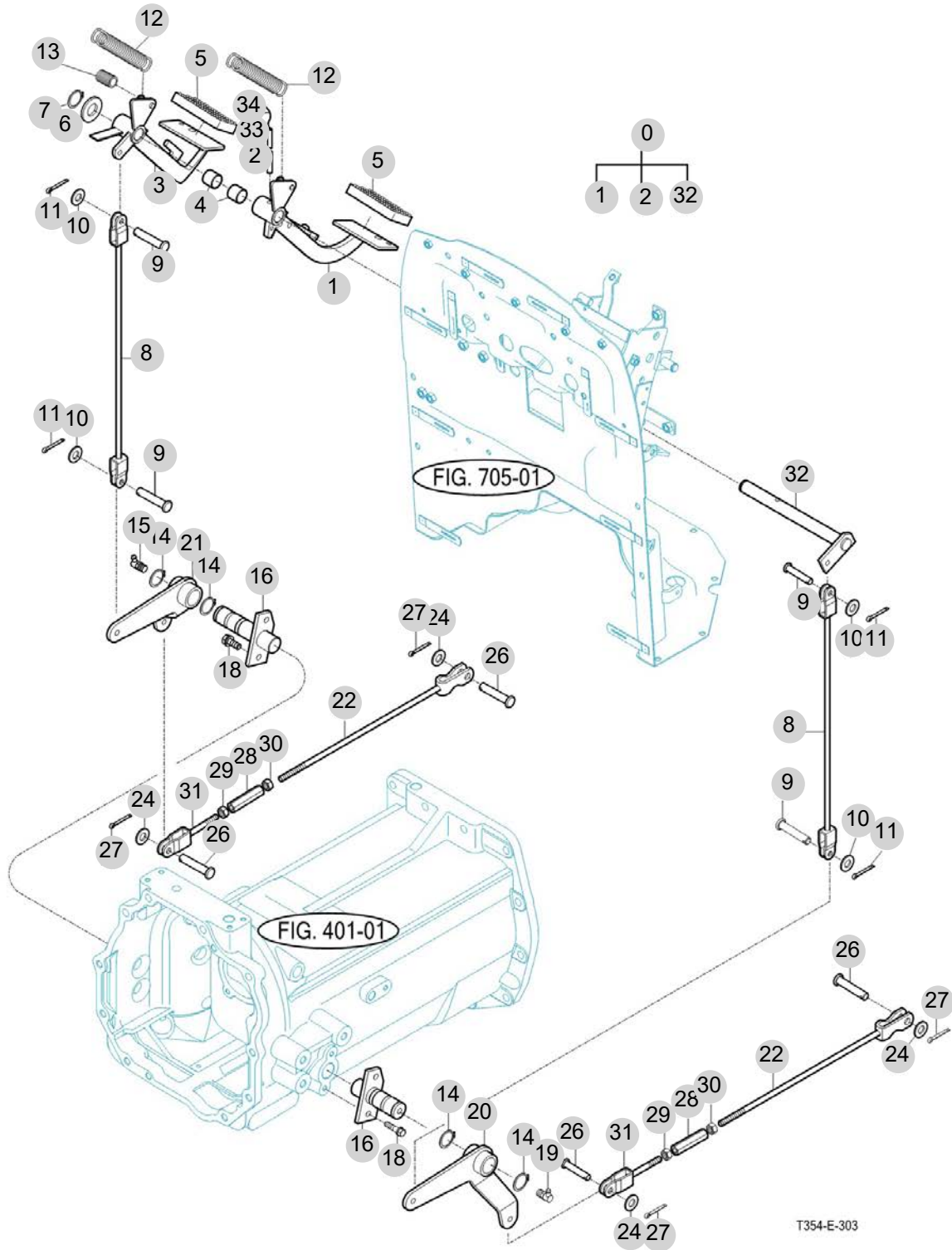
FIG 303

BRAKE PEDAL

년/월
Year/Month

2022-12

T395NCEU1



NOTE

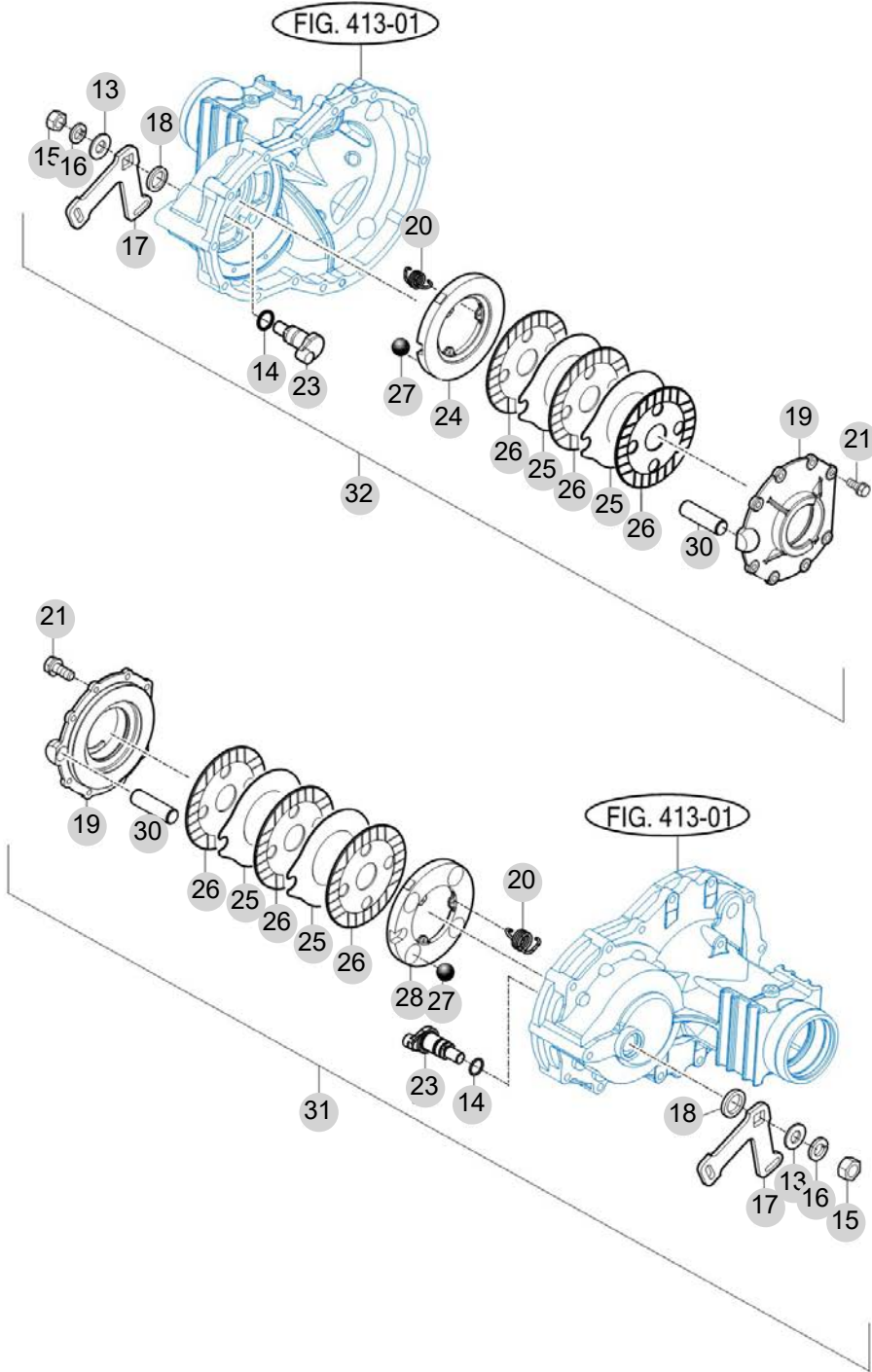
FIG 304

BRAKE

년/월
Year/Month

2022-12

T395NCEU1



NOTE

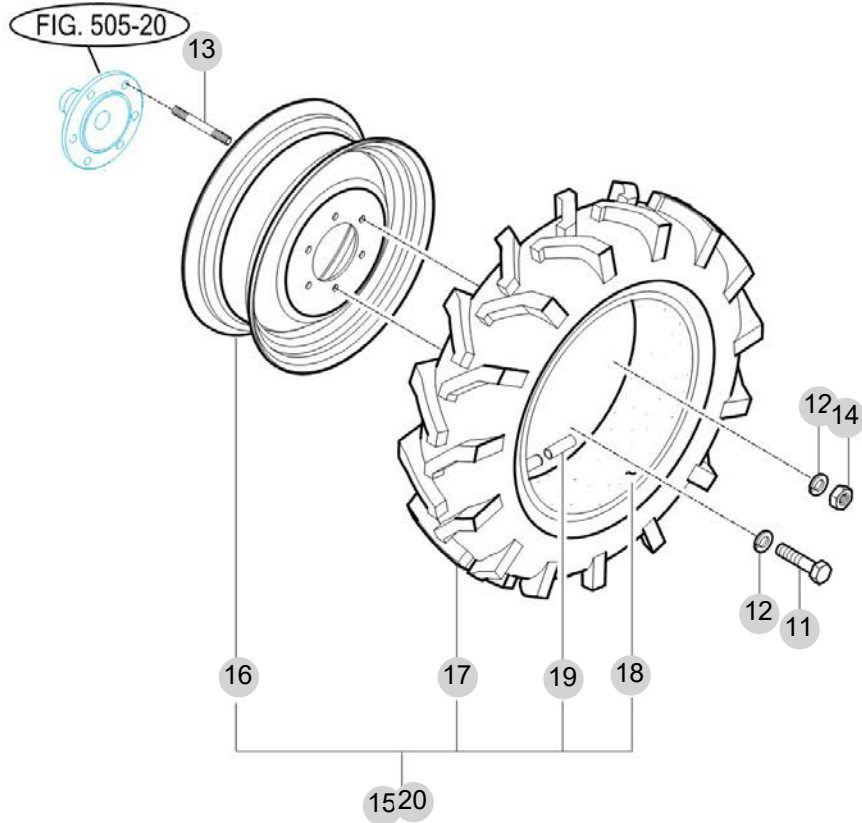
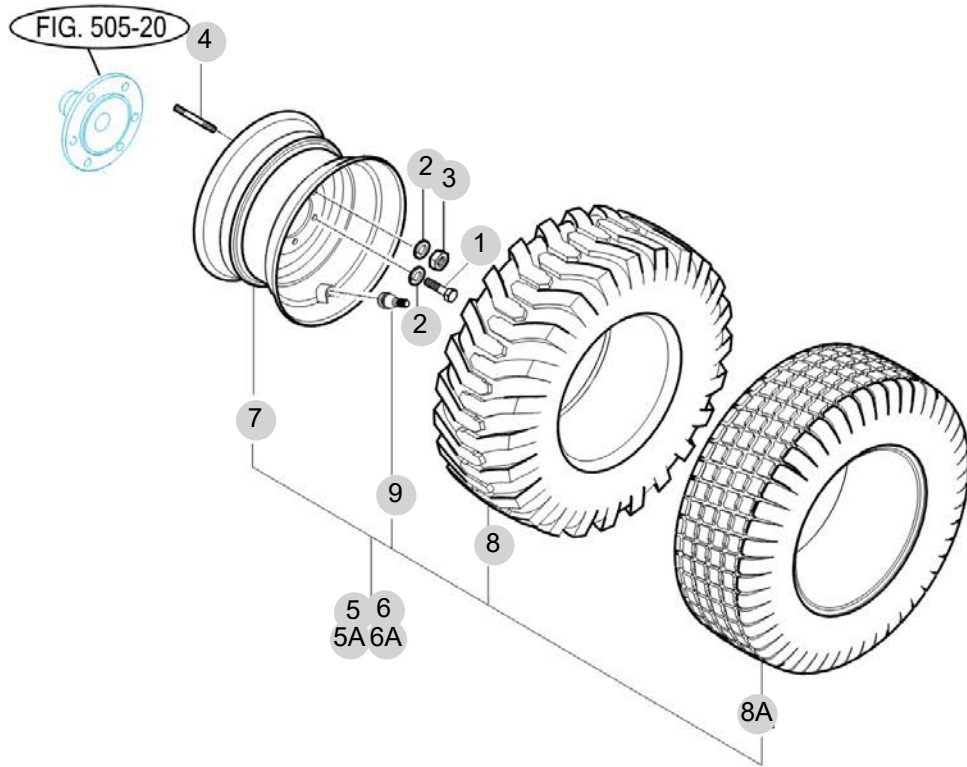
FIG 306

FRONT WHEEL MOUNTING

년/월
Year/Month

2022-12

T395NCEU1



T394-E-306

NOTE

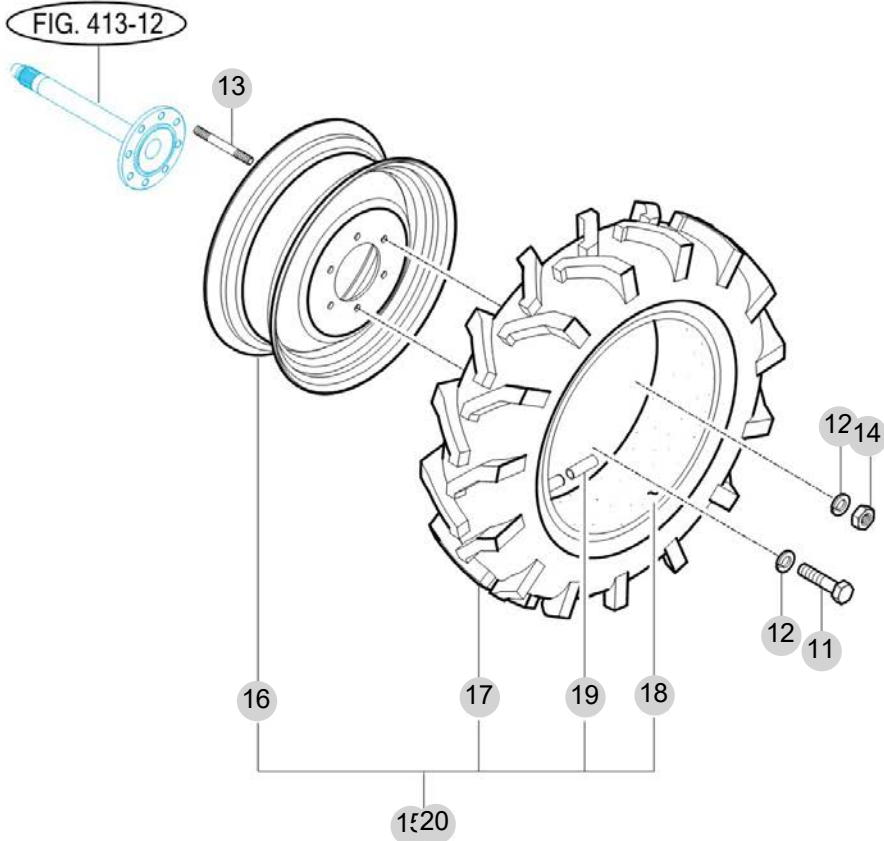
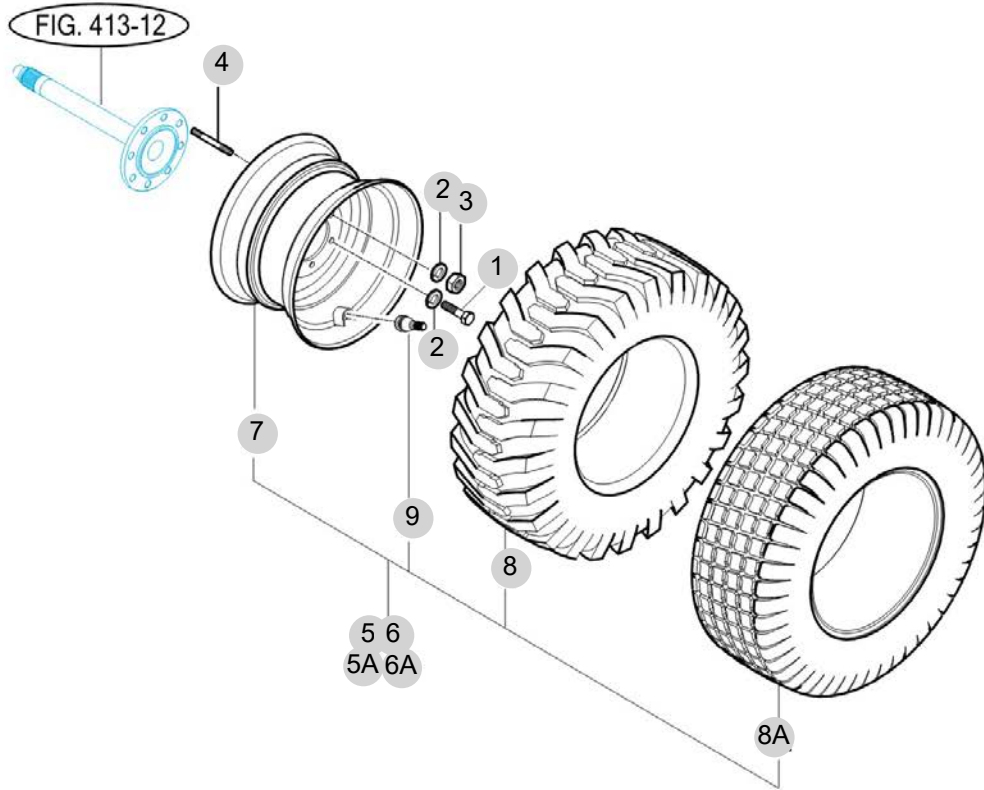
FIG 307

REAR WHEEL MOUNTING

년/월
Year/Month

2022-12

T395NCEU1



T394-E-307

NOTE

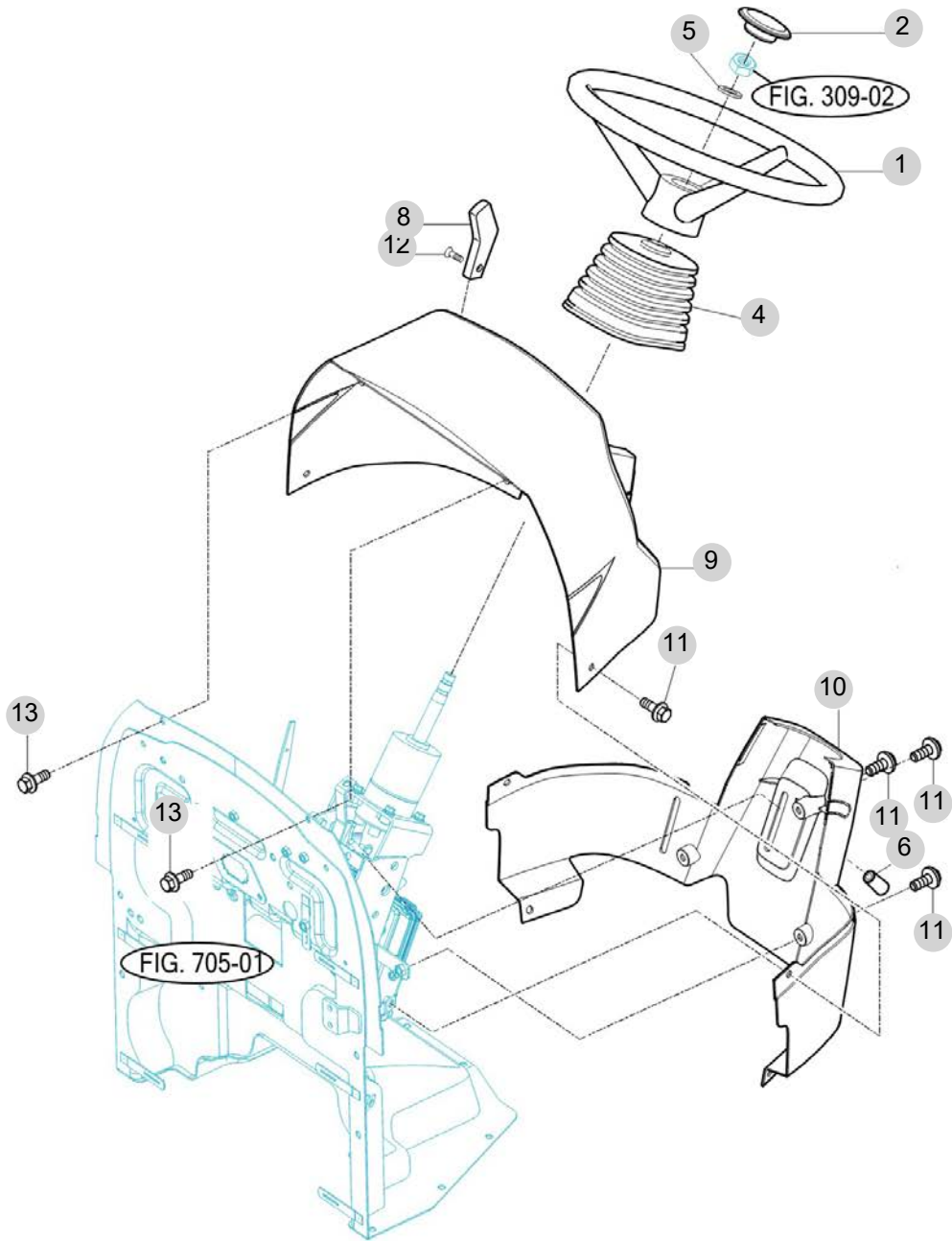
FIG 308

T395NCEU1

STEERING WHEEL

년/월
Year/Month

2022-12



T354-E-308

NOTE

FIG 308 T395NCEU1		STEERING WHEEL						년/월 Year/Month	
								2022-12	
		KEY NO	PART NO	DESCRIPTION	SPEC	QTY	REPAIR	EFFECTIVE DATE	REMARKS
308	1	13834012100	스티어링 휠		1				
308	2	11644012302	캡(TYM), 스티어링 휠		1				
308	4	14724010052	부츠(틸트)		1				
308	5	13834012200	이불이와셔(외치형)	M16	1				
308	6	14445070030	레버손잡이		1				
308	8	12135110050	그립, 오렌지		1				
308	9	17406031013NB	대시 커버, 상		1				
308	10	17406031022NB	대시 커버, 하		1				
308	11	V2163808020	소형육각볼트보통(P)	M8X20	8				
308	12	V1122605012	십자흡점시작은나사		1				
308	13	V2113606012	육각볼트(S)	M6X12	2				
NOTE									

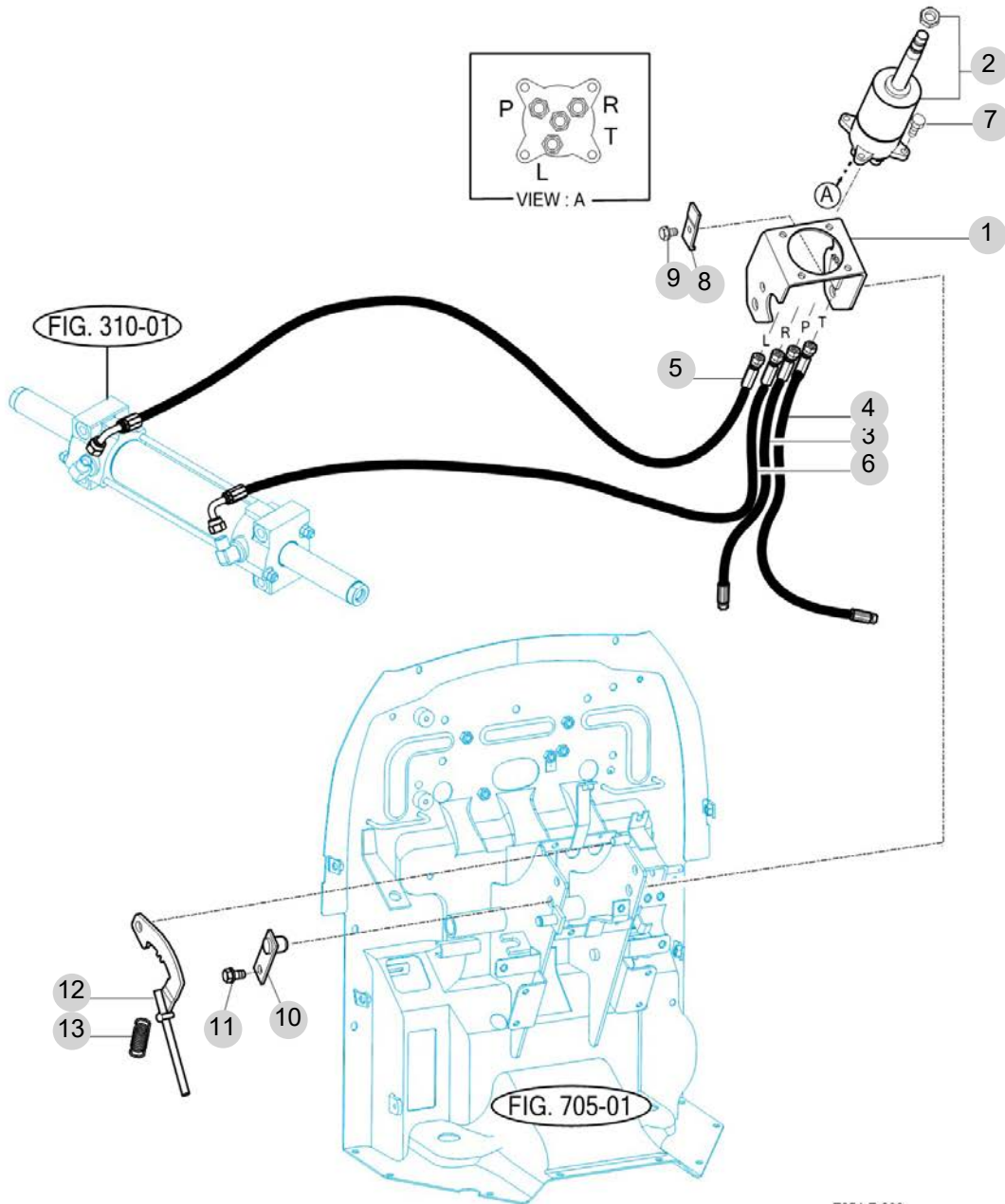
FIG 309

STEERING VALVE & TILT

년/월
Year/Month

2022-12

T395NCEU1



NOTE

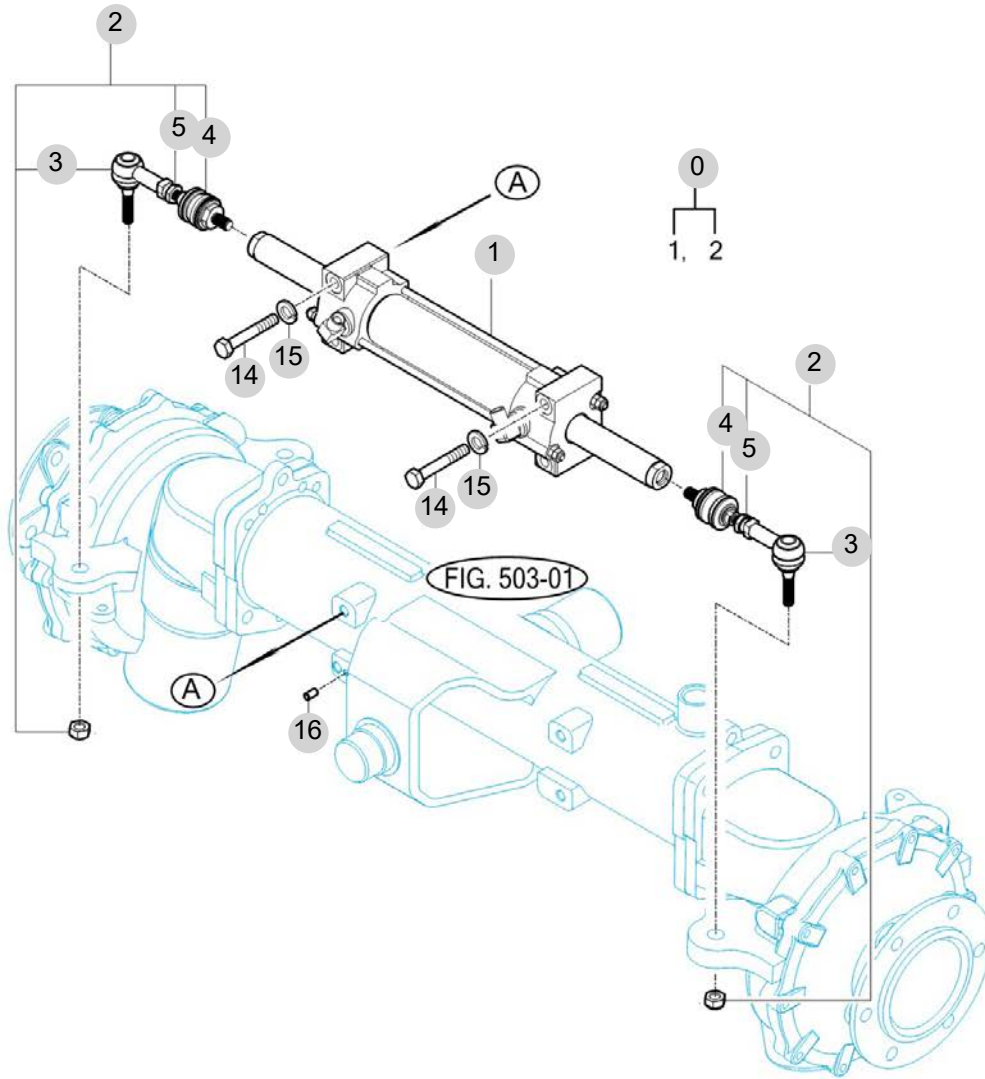
FIG 310

STEERING CYLINDER

년/월
Year/Month

2022-12

T395NCEU1



T393NC-E-310

NOTE

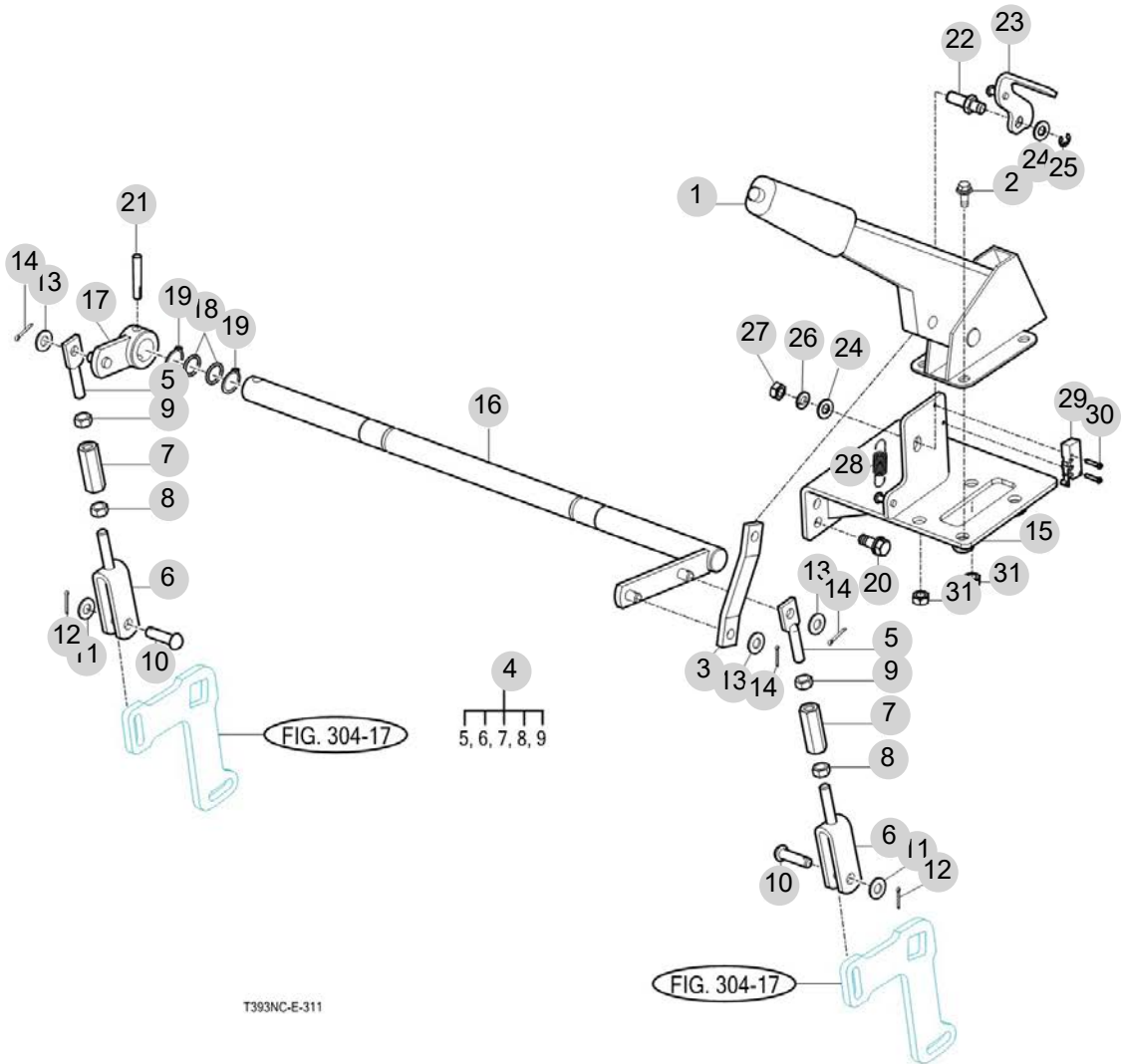
FIG 311

HAND BRAKE LINKAGE

년/월
Year/Month

2022-12

T395NCEU1



T393NC-E-311

NOTE

4. 트랜스미션 PART NO. T4

FIG 401 TRANSMISSION FRONT CASE	79
FIG 402 INPUT METAL	81
FIG 403 INPUT GEAR	83
FIG 404 4WD DRIVE GEAR	85
FIG 405 MAIN CHANGE GEARS & REVERSE GEARS	87
FIG 406 SUB CHANGE GEARS	89
FIG 407 PINION GEARS	91
FIG 408 P.T.O DRIVE SHAFT	93
FIG 409 P.T.O CHANGE GEARS	95
FIG 410 DIFF LOCK	97
FIG 411 TRANSMISSION REAR CASE	99
FIG 412 REAR AXLE HOUSINGS (1)	101
FIG 413 REAR AXLE HOUSINGS (2)	103
FIG 414 MAIN CHANGE LEVER	105
FIG 415 SUB CHANGE LEVER	107
FIG 416 REVERSE LINK	109
FIG 417 REVERSE CHANGE LEVER	111
FIG 418 4WD CHANGE LEVER	113

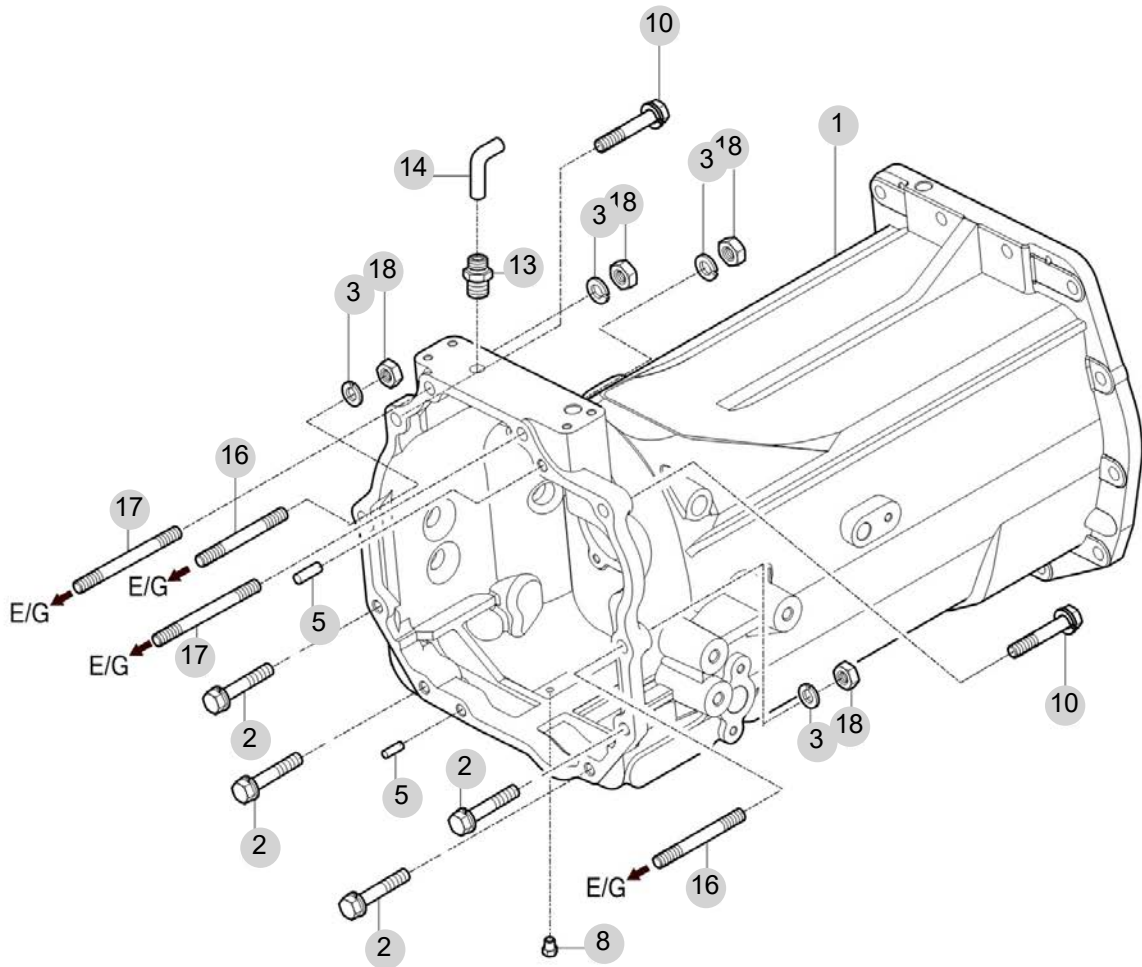
FIG 401

TRANSMISSION FRONT CASE

년/월
Year/Month

2022-12

T395NCEU1



T345-E-401

NOTE

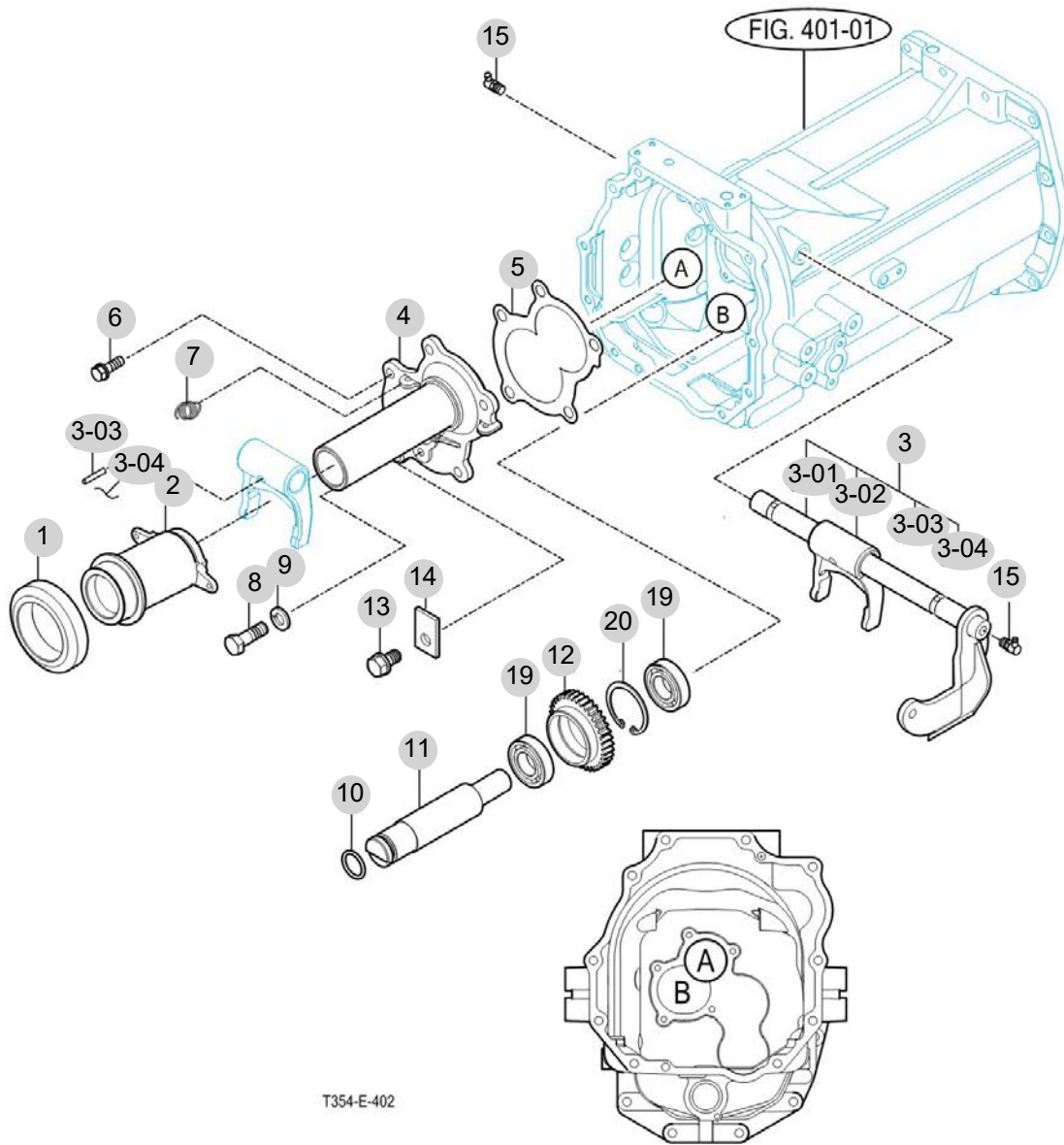
FIG 402

INPUT METAL

년/월
Year/Month

2022-12

T395NCEU1



T354-E-402

NOTE

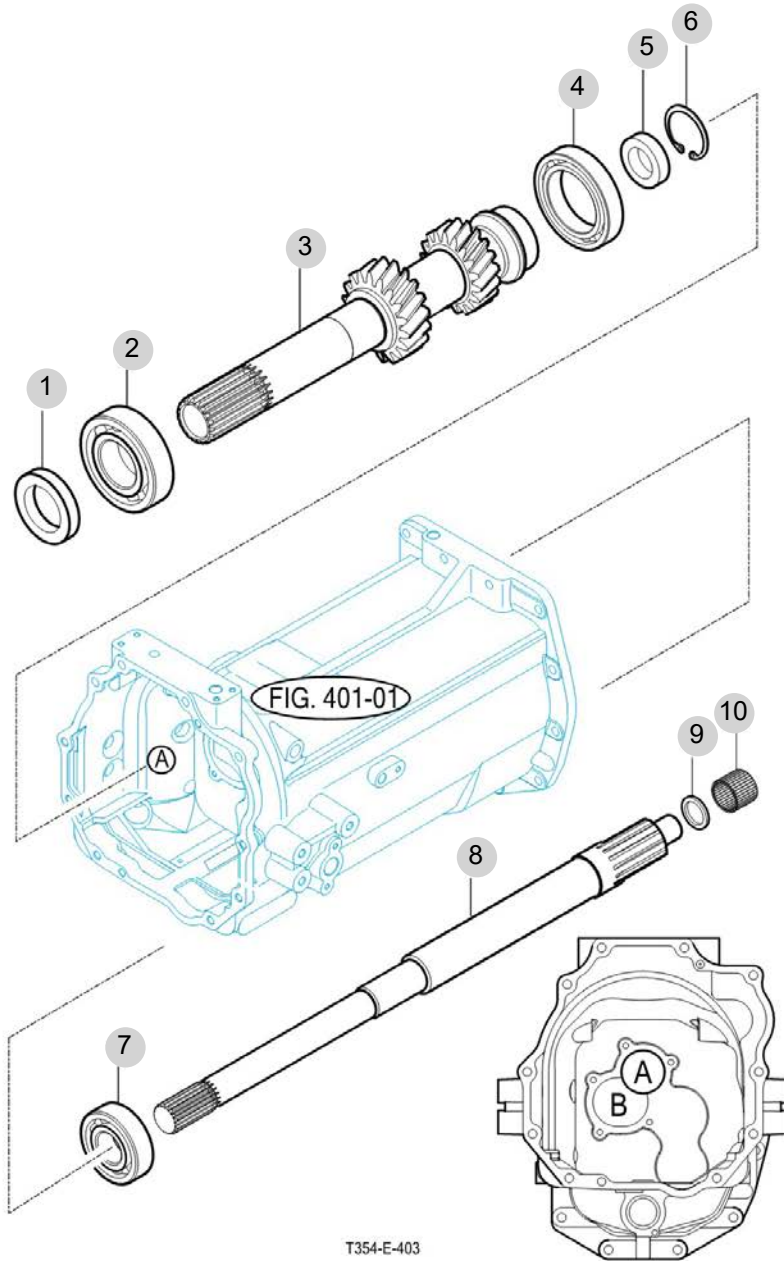
FIG 403

INPUT GEAR

년/월
Year/Month

2022-12

T395NCEU1



NOTE

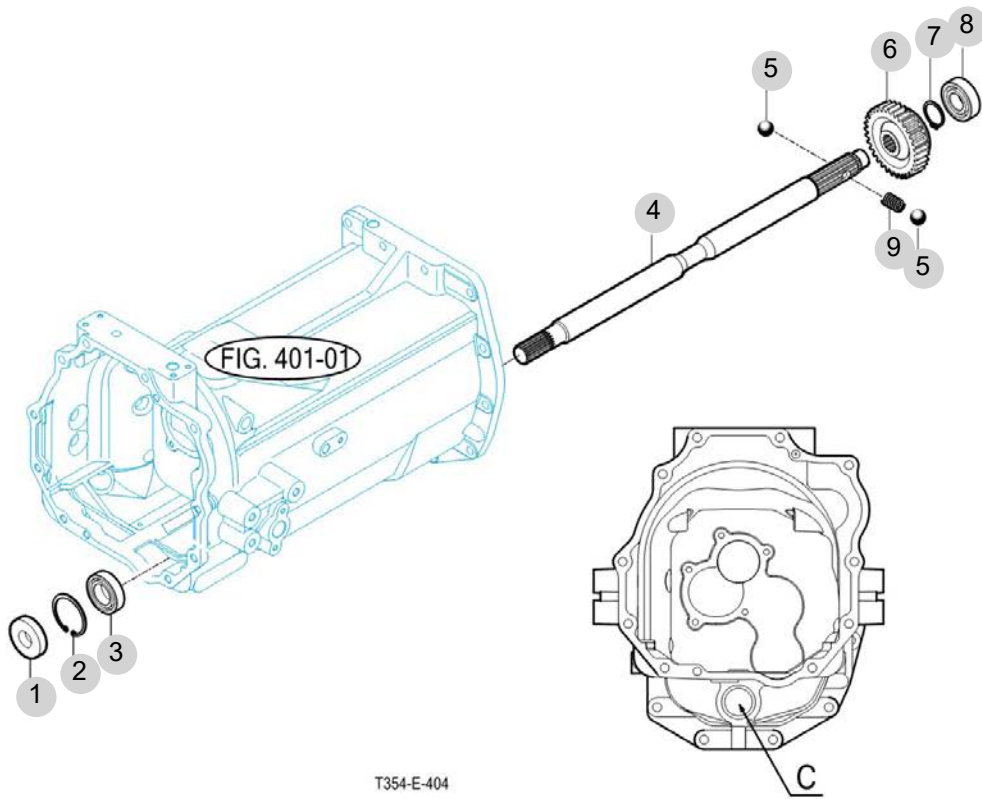
FIG 404

T395NCEU1

4WD DRIVE GEAR

년/월
Year/Month

2022-12



NOTE

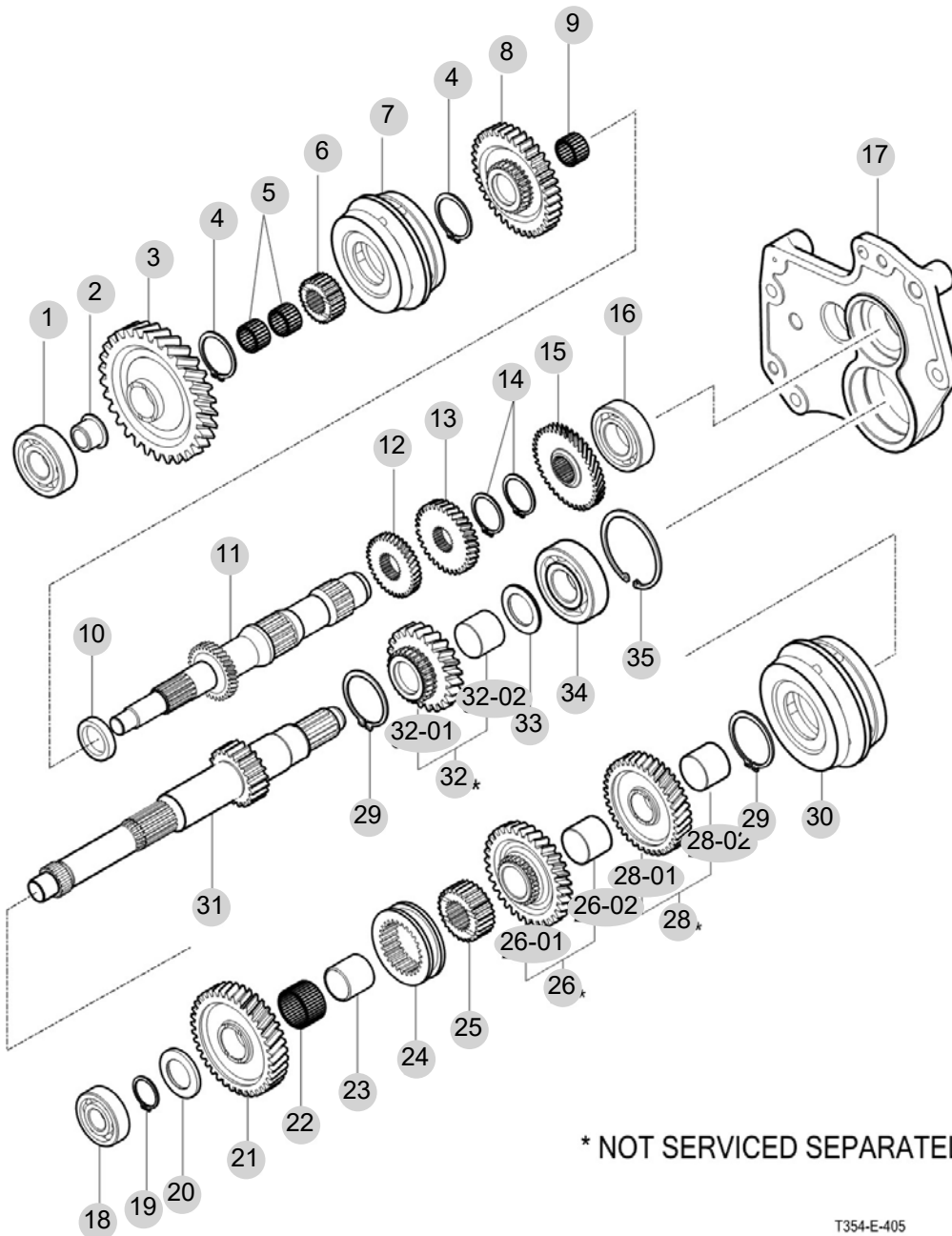
FIG 405

MAIN CHANGE GEARS & REVERSE GEARS

년/월
Year/Month

2022-12

T395NCEU1



* NOT SERVICED SEPARATELY

T354-E-405

NOTE

FIG 405 T395NCEU1		MAIN CHANGE GEARS & REVERSE GEARS					년/월 Year/Month	
							2022-12	
KEY NO	PART NO	DESCRIPTION	SPEC	QTY	REPAIR	EFFECTIVE DATE	REMARKS	
405	1	V6041106305	볼베어링(HL1)	6305HL1	1			
405	2	16702142010	부시(17X25X19)		1			
405	3	16702131021	기어(헬리컬/42)		1			
405	4	V7041400400	C형멈춤링(축용)	40	2			
405	5	V6544202612	니들베어링(케이지)	KT202612	2			
405	6	16702090021	허브(25X51X20)		1			
405	7	14482092100	싱크로나이저ASSY		1			
405	8	16702131032	기어(헬리컬/39)		1			
405	8	16702131033	기어(스퍼/41)		1			
405	9	V6544283313	니들베어링(케이지)	KT283313	1			
405	10	16702130031	와셔(27X39X08)		1			
405	11	16702110012	기어(헬리컬/17)		1			
405	11	16702110013	기어(헬리컬/17)		1			
405	12	14572220050	기어(헬리컬/21)		1			
405	13	14572220060	기어(헬리컬/24)		1			
405	14	V7041400350	C형멈춤링(축용)	35	2			
405	15	14572220020	기어(헬리컬/29)		1			
405	16	V6041106206	볼베어링(HL1)	6206HL1	1			
405	17	16702200201M	베어링 메탈		1			
405	18	V6041106304	볼베어링(HL1)		1			
405	19	V7041400280	C형멈춤링(축용)	28	1			
405	20	16702210021	와셔(28X46X05)		1			
405	21	16702211042	기어(헬리컬/40)		1			
405	22	V6544323723	니들베어링(케이지)	KT323723	1			
405	23	15602080093	부시(28X32X31)		1			
405	24	15602080224	커플링(51X72X18)		1			
405	25	15682090020	허브(28X51X21)		1			
405	26	16702211200	기어조합(헬리컬/36)		1			
405	26-01	16702210070	기어(헬리컬/36)		1			
405	26-02	16702211910	부시(32X34X28)		1			
405	28	16702211500	기어조합(헬리컬/32)		1			
405	28-01	16702210150	기어(헬리컬/32)		1			
405	28-02	16702211910	부시(32X34X28)		1			
405	29	V7041400500	C형멈춤링(축용)	50	2			
405	30	16492092001	싱크로나이저ASSY		1			
405	31	16702211012	주변속축		1			
405	31	16702211013	주변속축		1			
405	31	16702211014	주변속축		1			
405	32	16702211900	기어조합(헬리컬/28)		1			
405	32-01	16702211020	기어(헬리컬/28)		1			
405	32-02	16702211910	부시(32X34X28)		1			
405	33	15642160041	와셔(30X46X03)		1			
405	34	V6001106306	볼베어링	6306	1			
405	35	V7051400720	C형멈춤링(구멍용)	72	1			
NOTE								

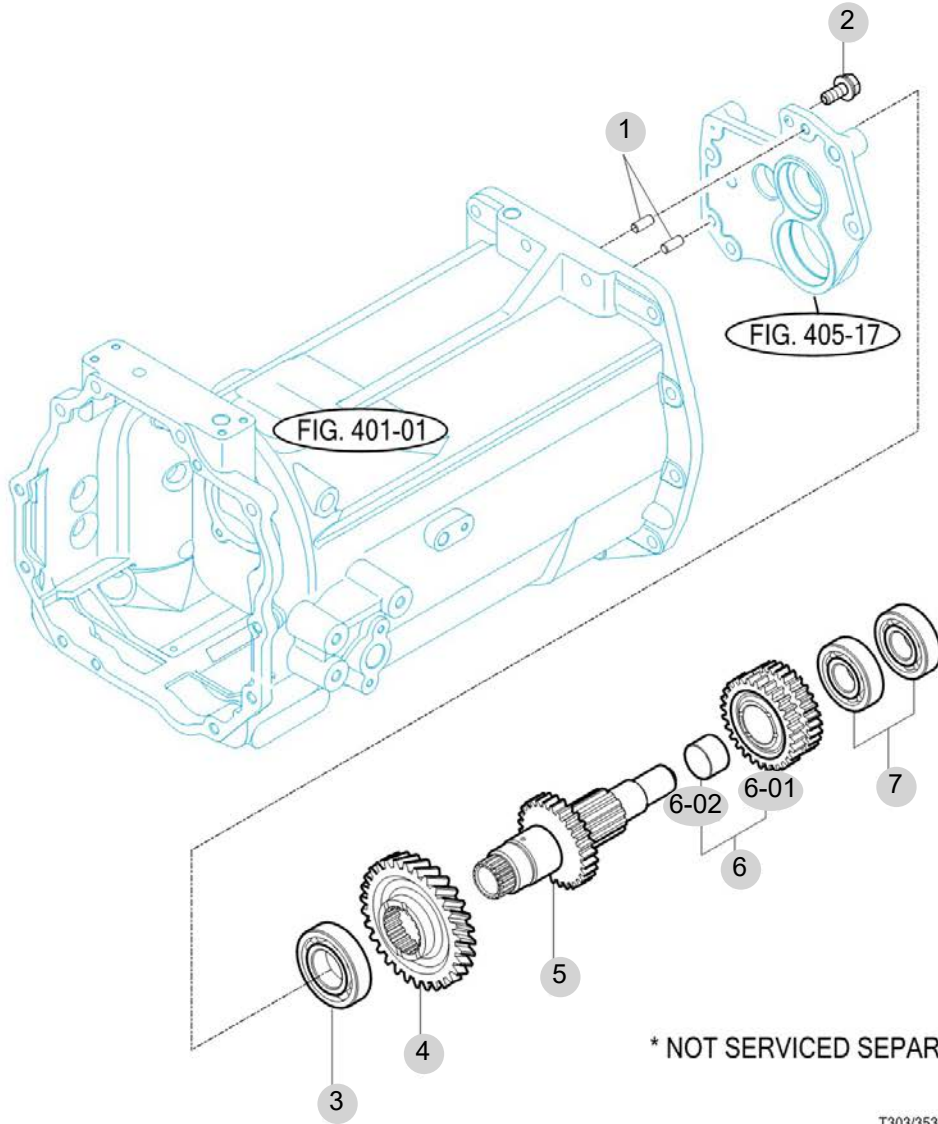
FIG 406

SUB CHANGE GEARS

년/월
Year/Month

2022-12

T395NCEU1



T303/353NC-E-406

NOTE

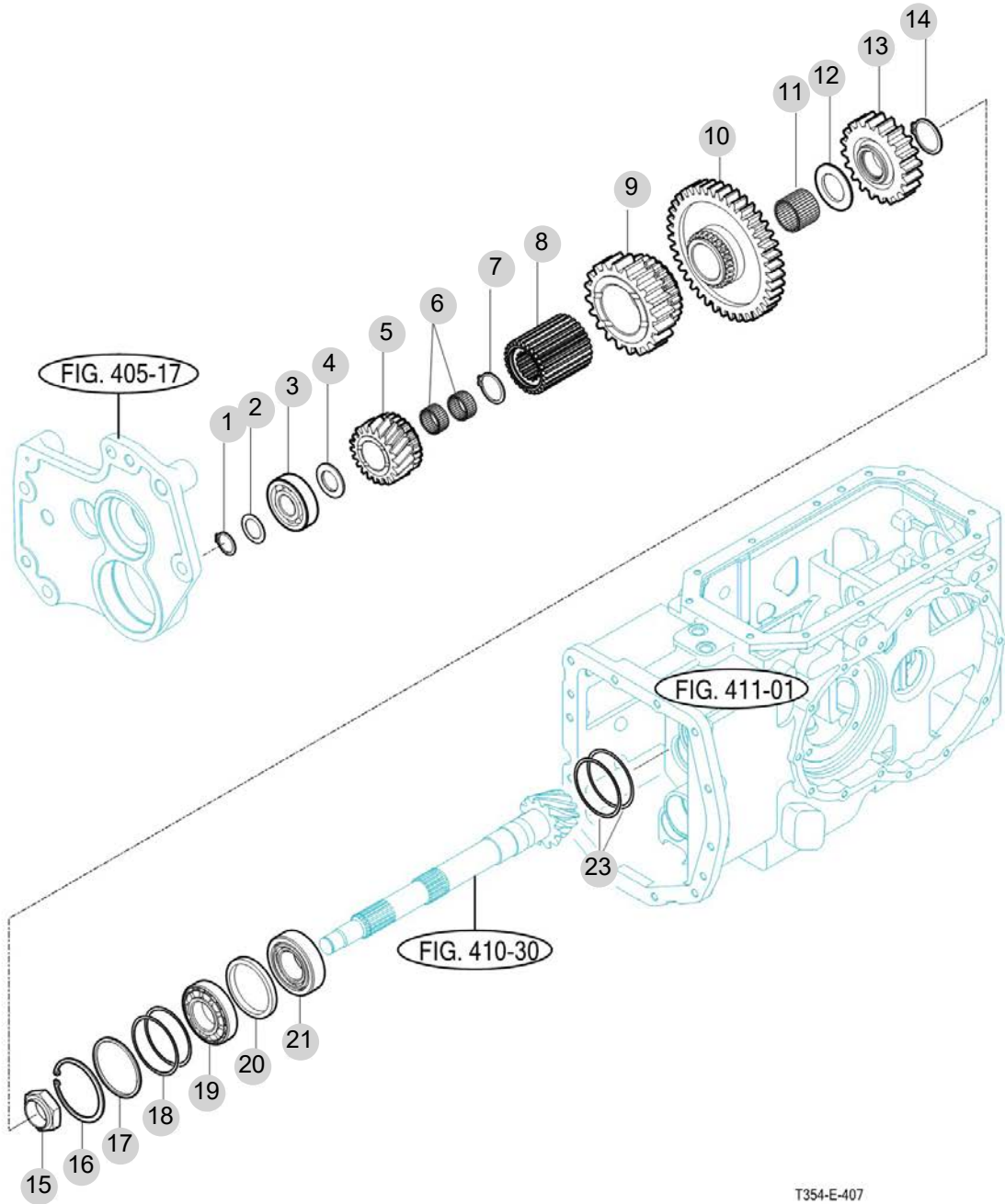
FIG 407

PINION GEARS

년/월
Year/Month

2022-12

T395NCEU1



T354-E-407

NOTE

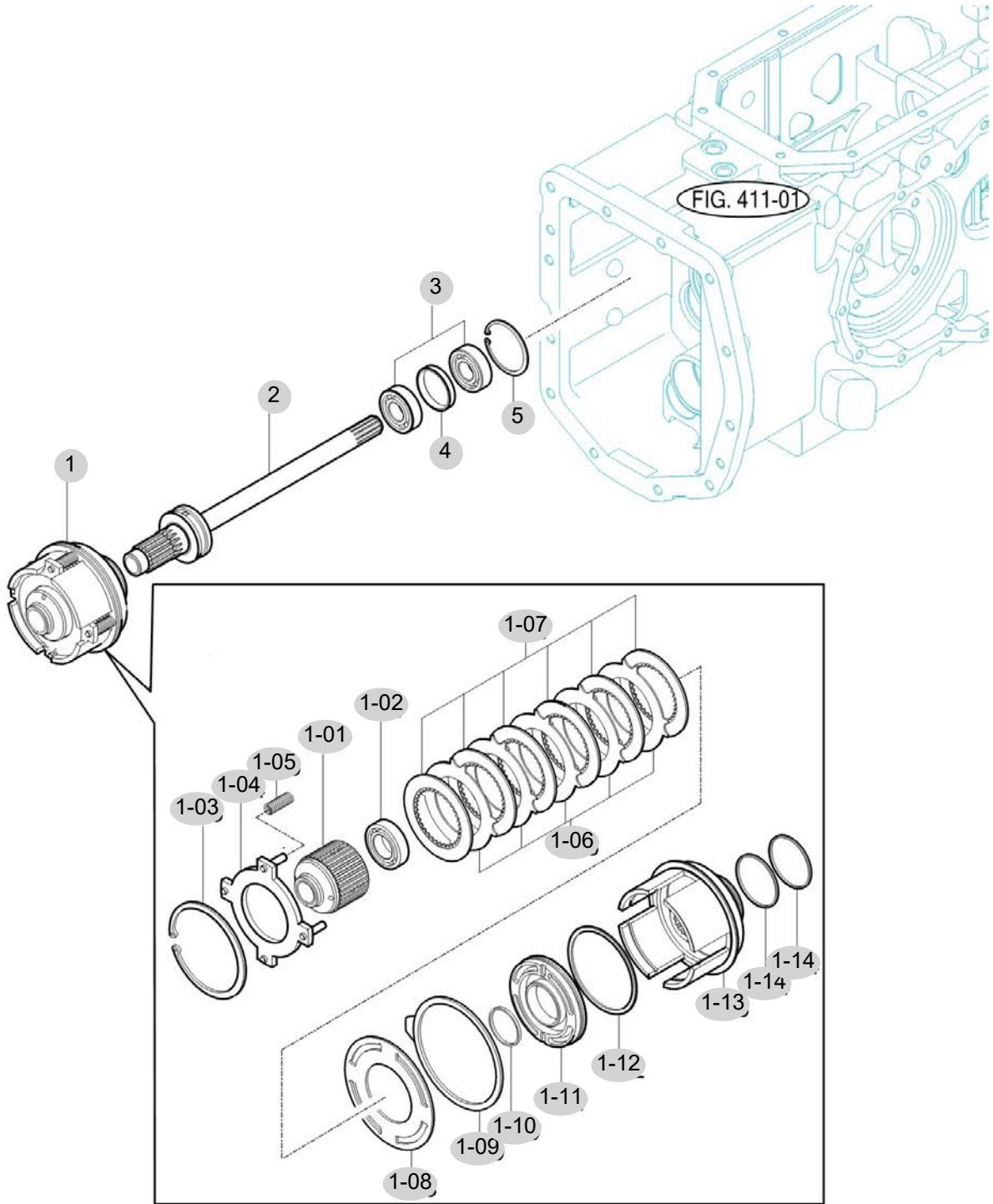
FIG 408

P.T.O DRIVE SHAFT

년/월
Year/Month

2022-12

T395NCEU1



T354-E-408

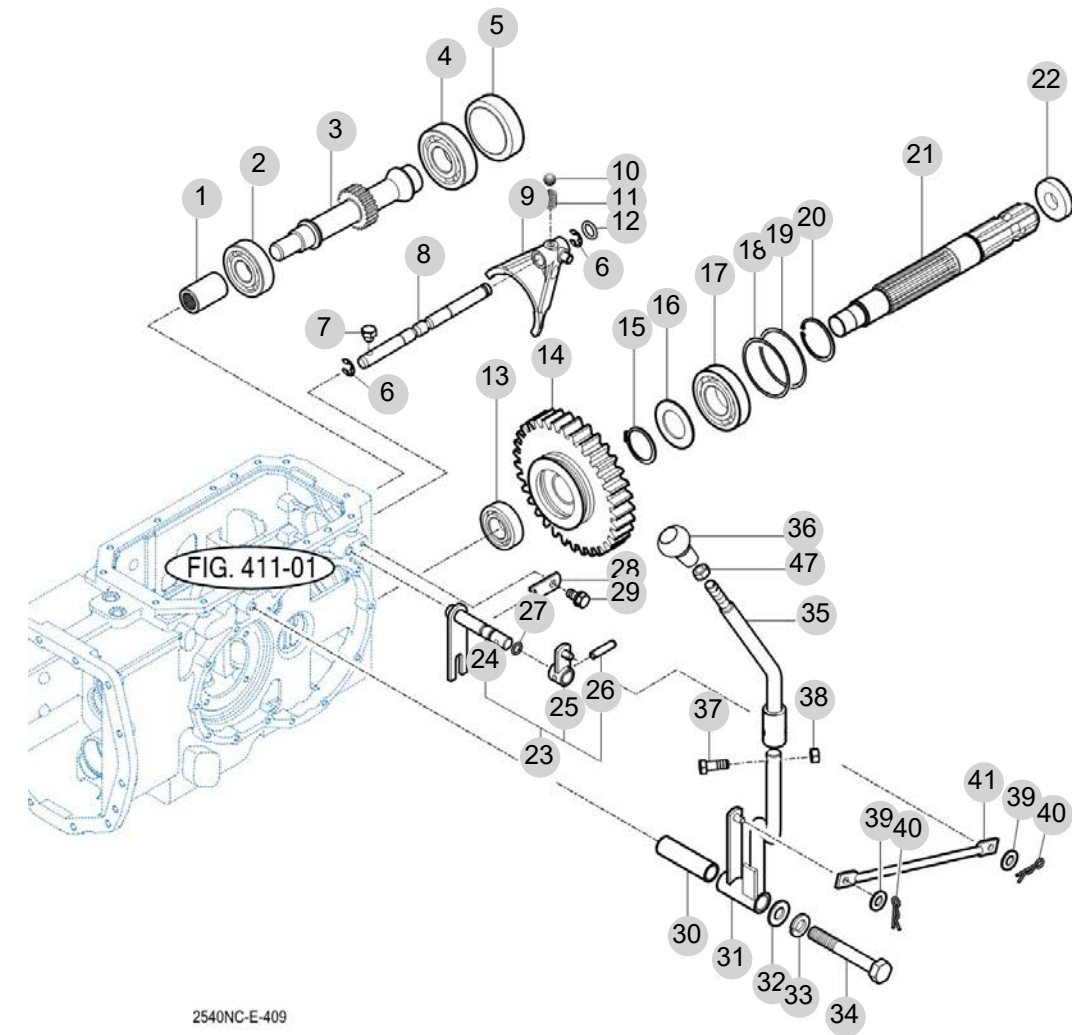
NOTE

FIG 409

P.T.O CHANGE GEARS

년/월
Year/Month

2022-12



2540NC-E-409

NOTE

FIG 409 T395NCEU1		P.T.O CHANGE GEARS					년/월 Year/Month	
							2022-12	
KEY NO	PART NO	DESCRIPTION	SPEC	QTY	REPAIR	EFFECTIVE DATE	REMARKS	
409	1	14211340190	커플링			1		
409	2	V6001106305	볼베어링	6305		1		
409	3	13212543530	기어 , 스퍼 PTO 11			1		
409	4	V6001106306	볼베어링	6306		1		
409	5	14254330180	캠(72)			1		
409	6	V7081400100	E형멈춤링	Ø10		2		
409	7	15602231610	볼트(셋트/M8X16)			1		
409	8	13212540020	PTO 시프트스테이			1		
409	9	16702540011M	포크(PTO)			1		
409	10	V6802000010	강구	5/16		1		
409	11	13022250030	시프터스프링			1		
409	12	V7201024010	O링(P)	P10		1		
409	13	V6001106205	볼베어링	6205		1		
409	14	13212543500	기어(스퍼/PTO 54)			1		
409	15	V7041400350	C형멈춤링(축용)	Ø35		1		
409	16	14443140041	칼라(35X50X2)			1		
409	17	V6001106207	볼베어링	6207		1		
409	18	79642010080	심(B)			2		
409	19	16322730030	심(0.5)			1		
409	20	V7051400720	C형멈춤링(구멍용)	Ø72		1		
409	21	16703140011	PTO축			1		
409	22	16322732000	씰(오일) ASSY			1		
409	23	16702555102	리어 PTO 후크 SET			1		
409	24	16702542102	리어 PTO 후크 COMP			1		
409	25	16702432201	암(부변속) COMP			1		
409	26	V5801406025	스프링핀	6X25		1		
409	27	V7201024012	O링(P)	P12		1		
409	28	16702230371	플레이트			1		
409	29	V2173608016	소형육각볼트보통(S)	M8X16		1		
409	30	16702440070	허브(13X17X61)			1		
409	31	16702552103	PTO 레버 ,하 COMP			1		
409	32	V4111600120	평와셔	M12		1		
409	33	V4011600120	스프링와셔	M12		1		
409	34	V2013612085	소형육각볼트(보통)	M12X85		1		
409	35	16702552202GB	PTO레버(상)COMP			1		
409	36	16992190102	그립(PTO)			1		
409	36	19682190100	그립(PTO)			1		
409	37	V2013608035	소형육각볼트(보통)			1		
409	38	V3042600080	소형육각너트보통2종	M8		1		
409	39	V4111600080	평와셔	M8		2		
409	40	V5601600008	스냅핀	8		2		
409	41	16702553100	로드(236)			1		
409	47	V3342600100	소형육각너트가는2종			1		
NOTE								

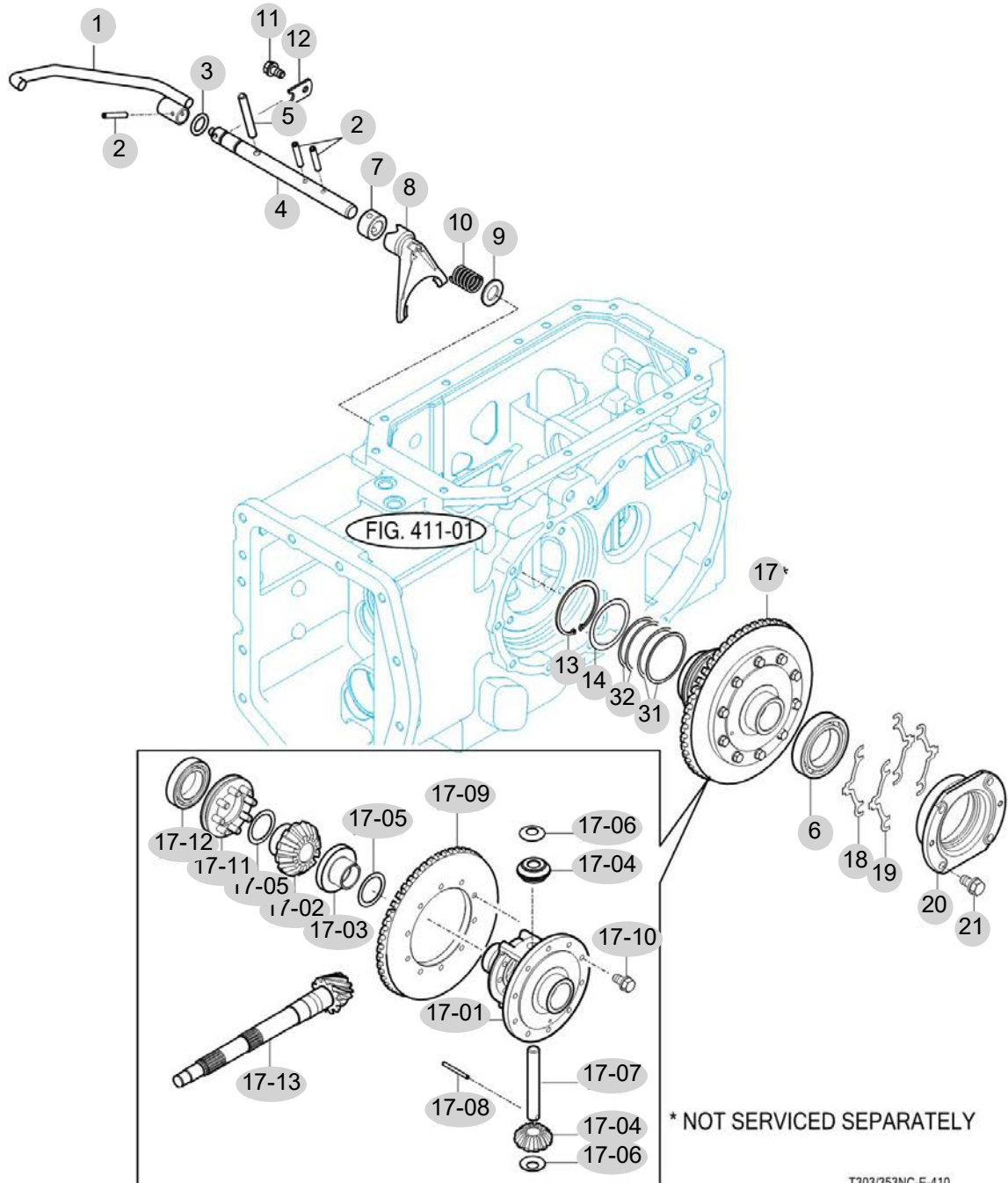
FIG 410

DIFF LOCK

년/월
Year/Month

2022-12

T395NCEU1



T303/353NC-E-410

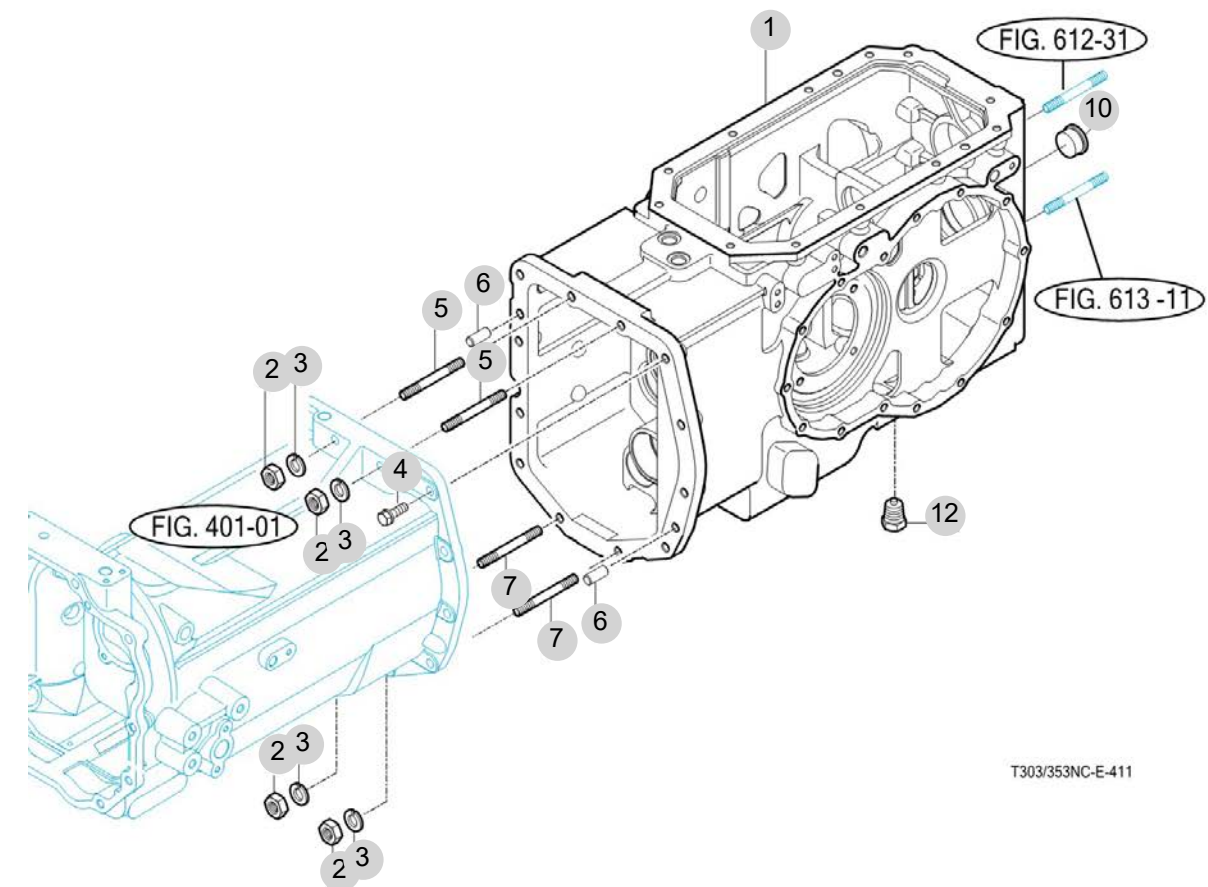
NOTE

FIG 411

TRANSMISSION REAR CASE

년/월
Year/Month

2022-12



T303/353NC-E-411

NOTE

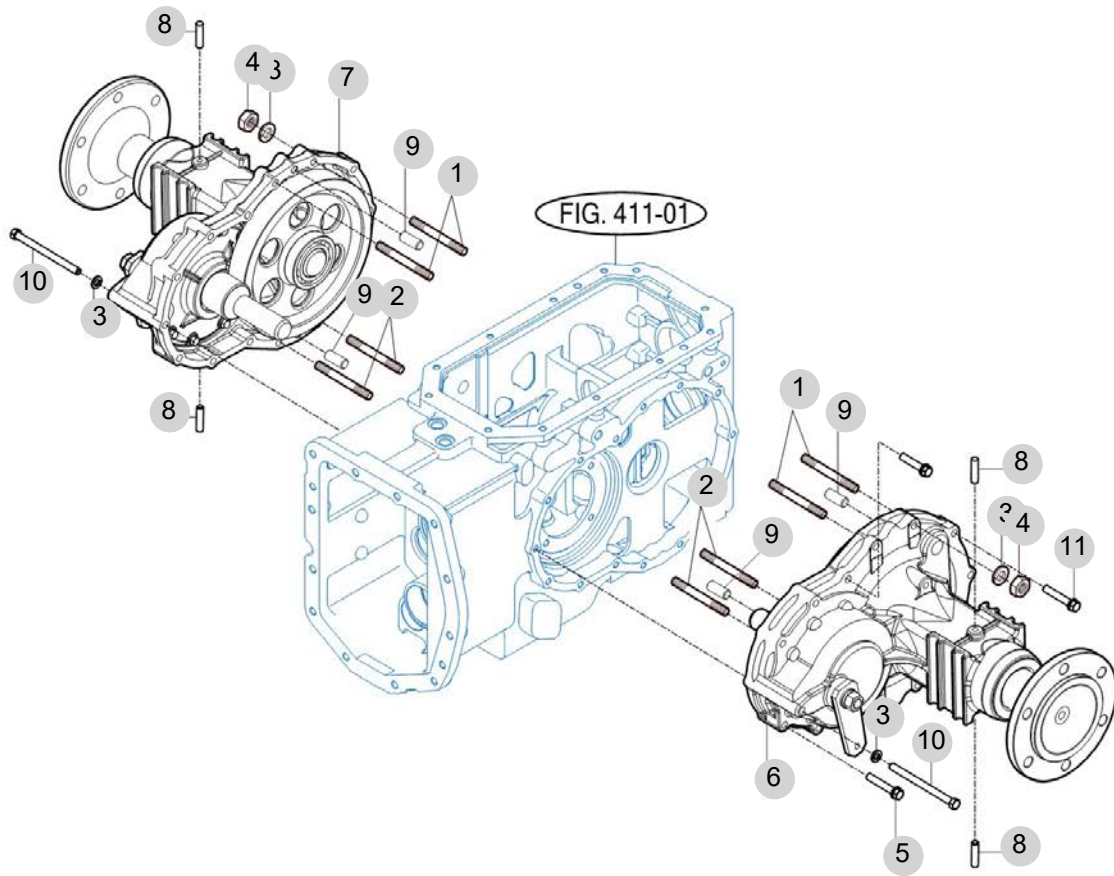
FIG 412

REAR AXLE HOUSINGS (1)

년/월
Year/Month

2022-12

T395NCEU1



2545ST-E-412

NOTE

FIG 412 T395NCEU1	REAR AXLE HOUSINGS (1)						년/월 Year/Month
							2022-12

KEY NO	PART NO	DESCRIPTION	SPEC	QTY	REPAIR	EFFECTIVE DATE	REMARKS
412	1	V2514410060	스터드볼트2종		4		
412	2	V2514410050	스터드볼트2종	M10X50	4		
412	3	V4011600100	스프링와셔	M10	10		
412	4	V3043600100	소형육각너트보통2종	M10	8		
412	5	V2173610060	소형육각볼트보통(S)	M10X60	8		
412	6	12523201000	하우징 (액슬/LH) SUB ASSY		1		
412	7	12523202000	하우징 (액슬/RH) SUB ASSY		1		
412	8	V2514410028	스터드볼트2종	M10X28	4		
412	9	V5201010022	평행판(A)	10X22	4		
412	10	V2013610130	소형육각볼트(보통)	M10X130	2		
412	11	V2174610050	소형육각볼트보통(S)	M10X50	10		

NOTE

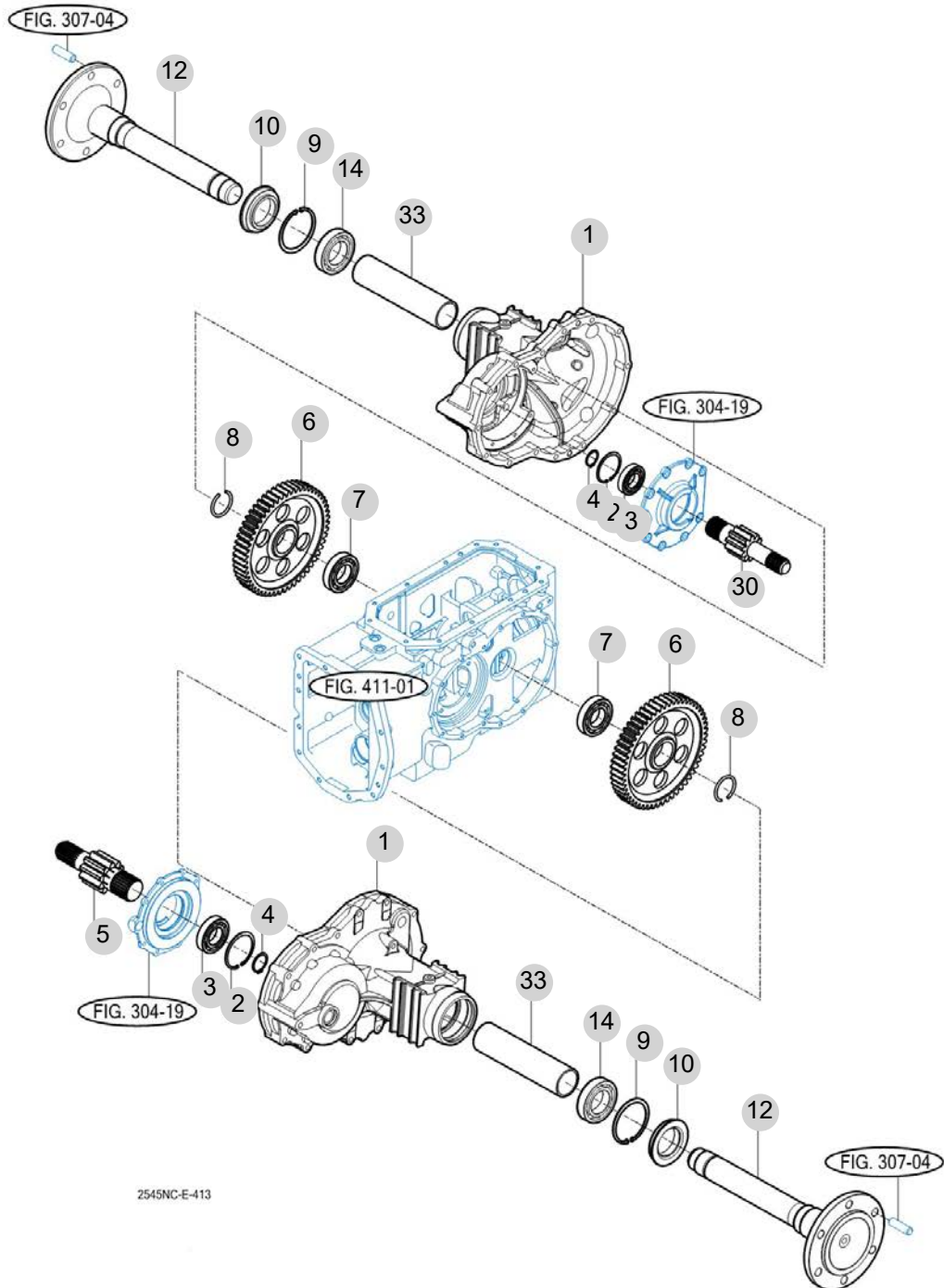
FIG 413

REAR AXLE HOUSINGS (2)

년/월
Year/Month

2022-12

T395NCEU1



2545NC-E-413

NOTE

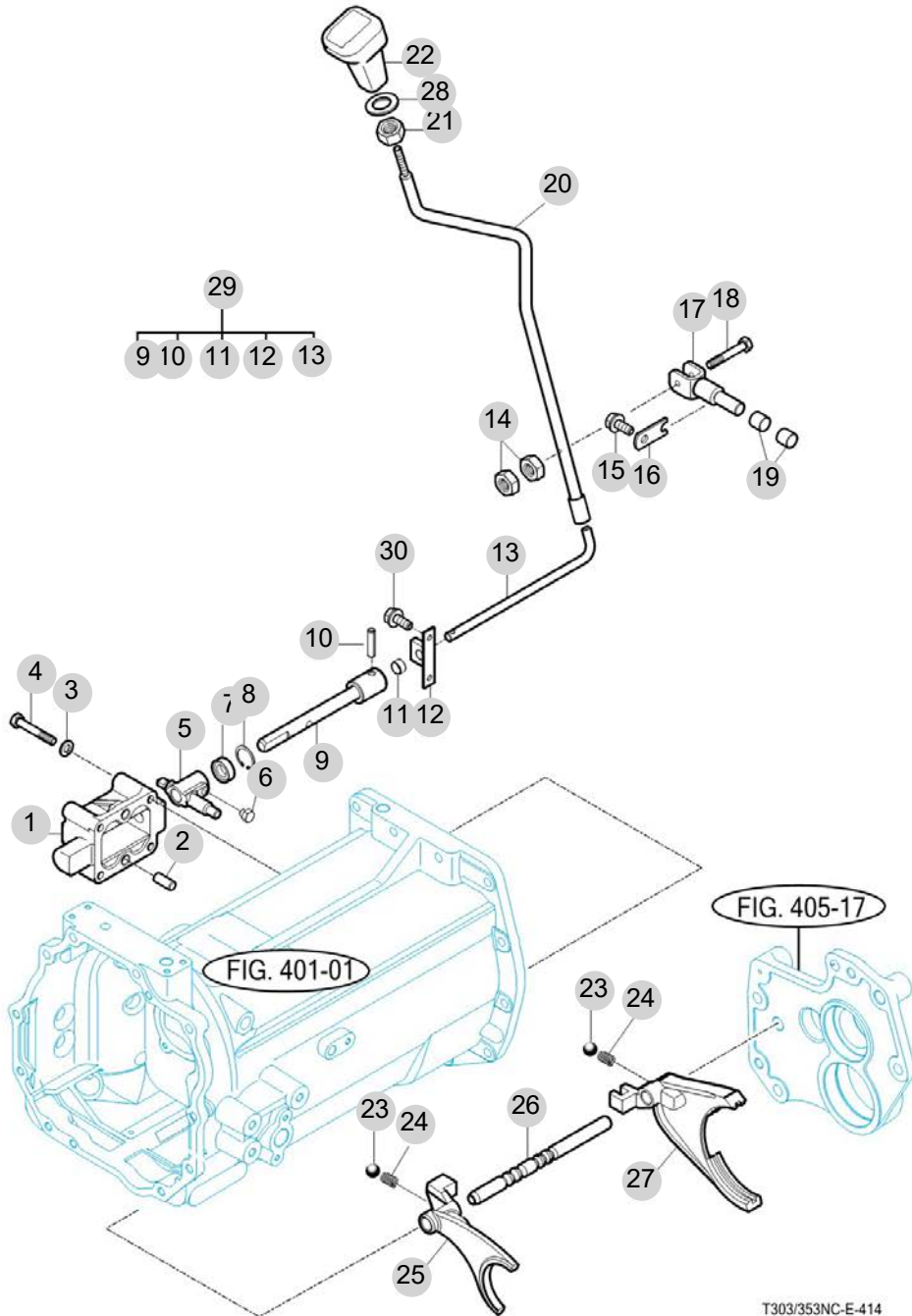
FIG 414

MAIN CHANGE LEVER

년/월
Year/Month

2022-12

T395NCEU1



NOTE

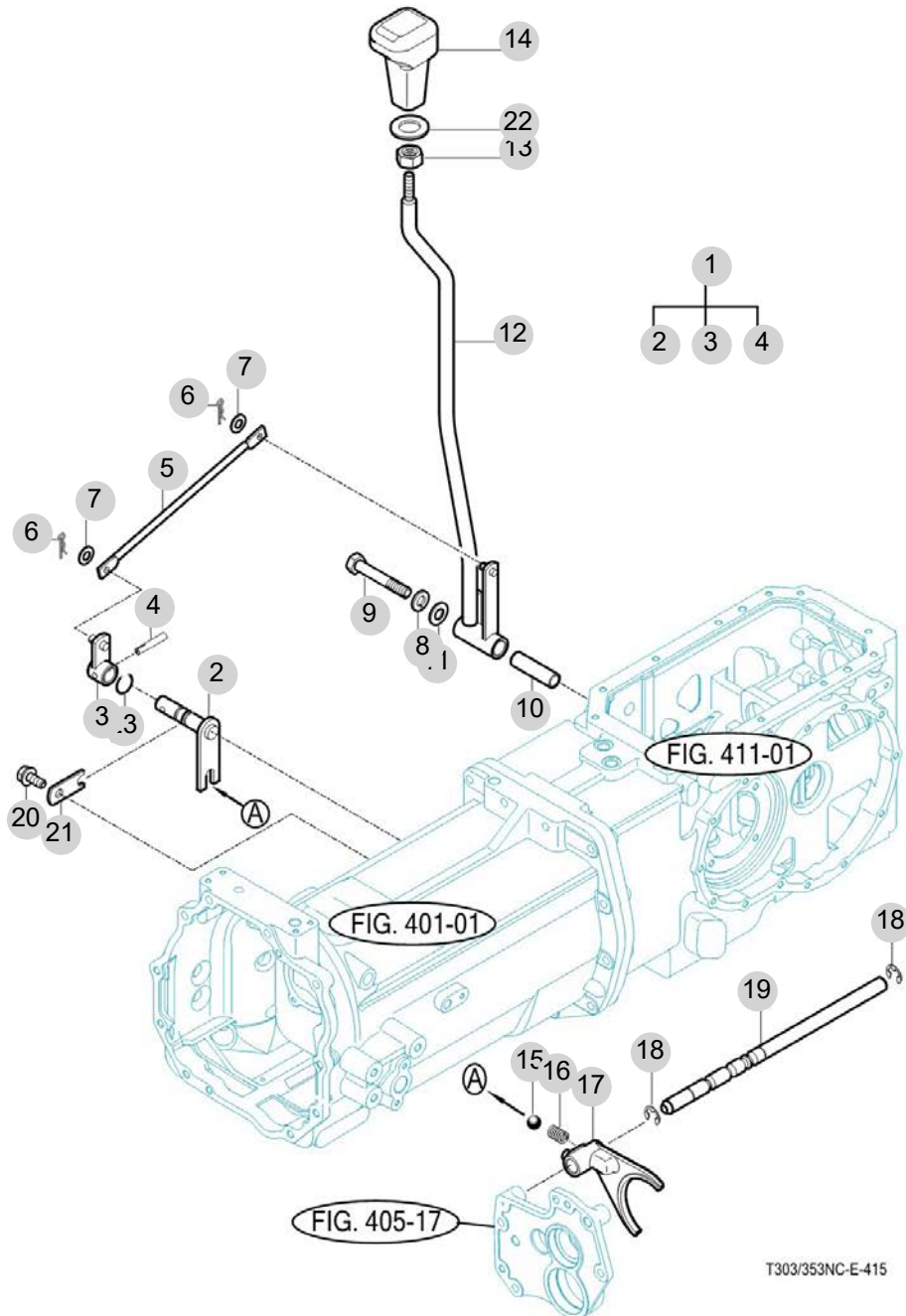
FIG 415

SUB CHANGE LEVER

년/월
Year/Month

2022-12

T395NCEU1



T303/353NC-E-415

NOTE

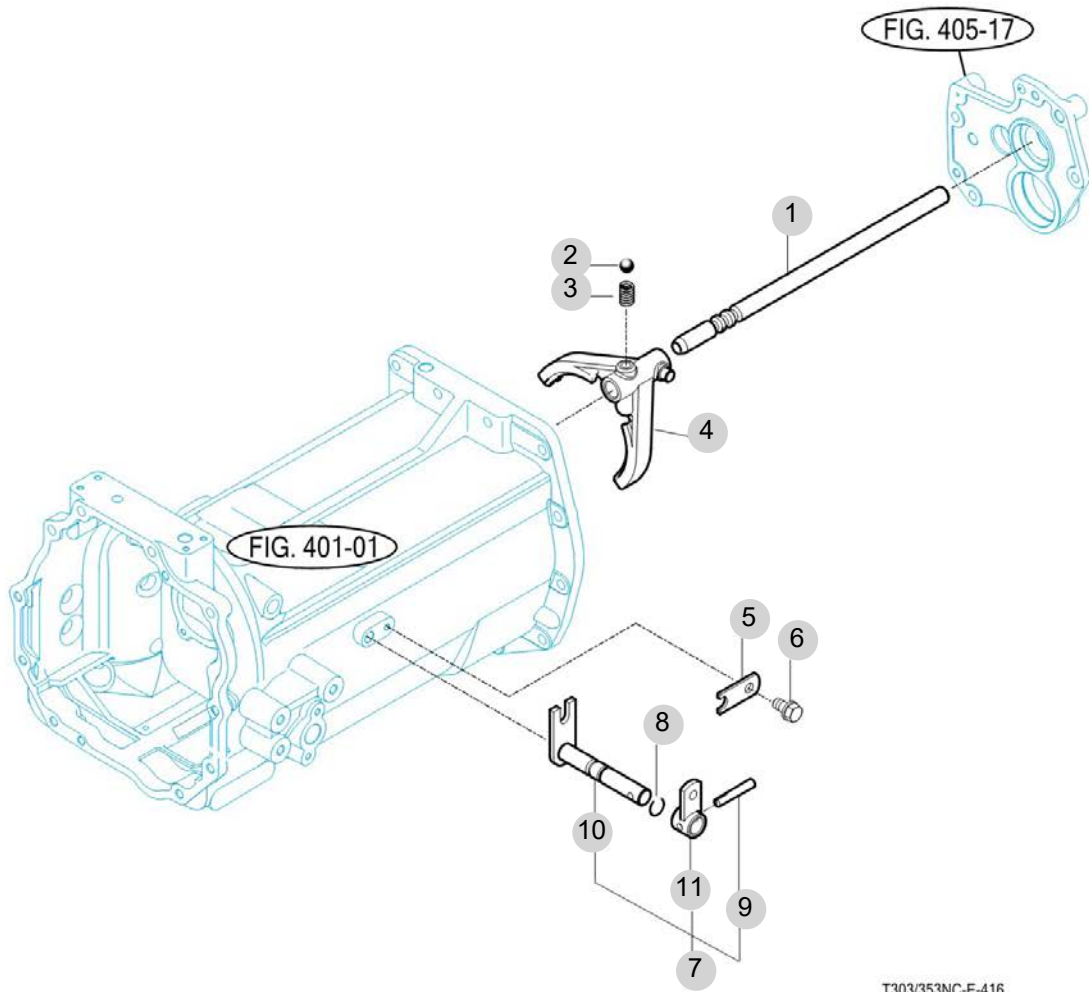
FIG 416

REVERSE LINK

년/월
Year/Month

2022-12

T395NCEU1



T303/353NC-E-416

NOTE

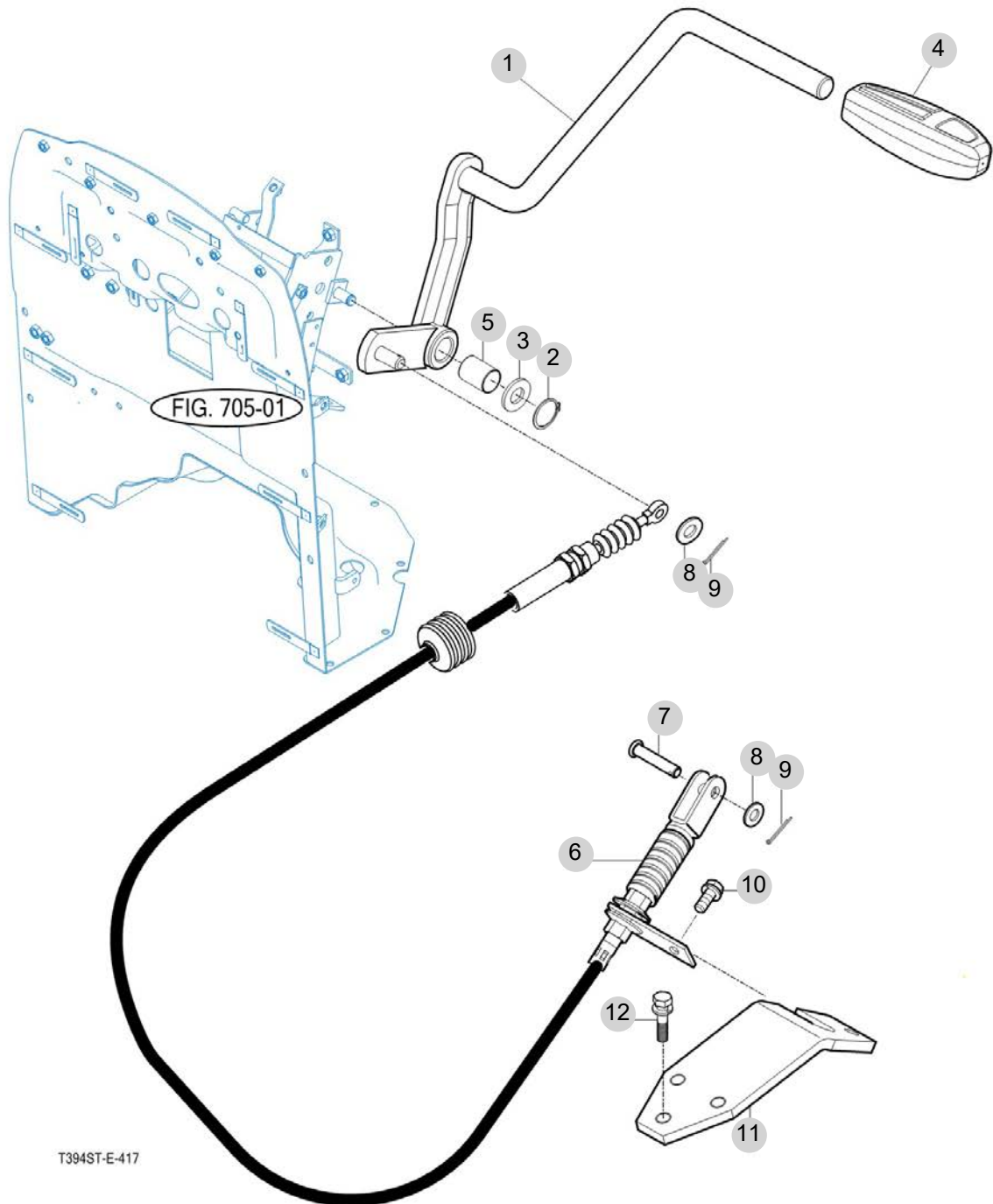
FIG 417

REVERSE CHANGE LEVER

년/월
Year/Month

2022-12

T395NCEU1



T394ST-E-417

NOTE

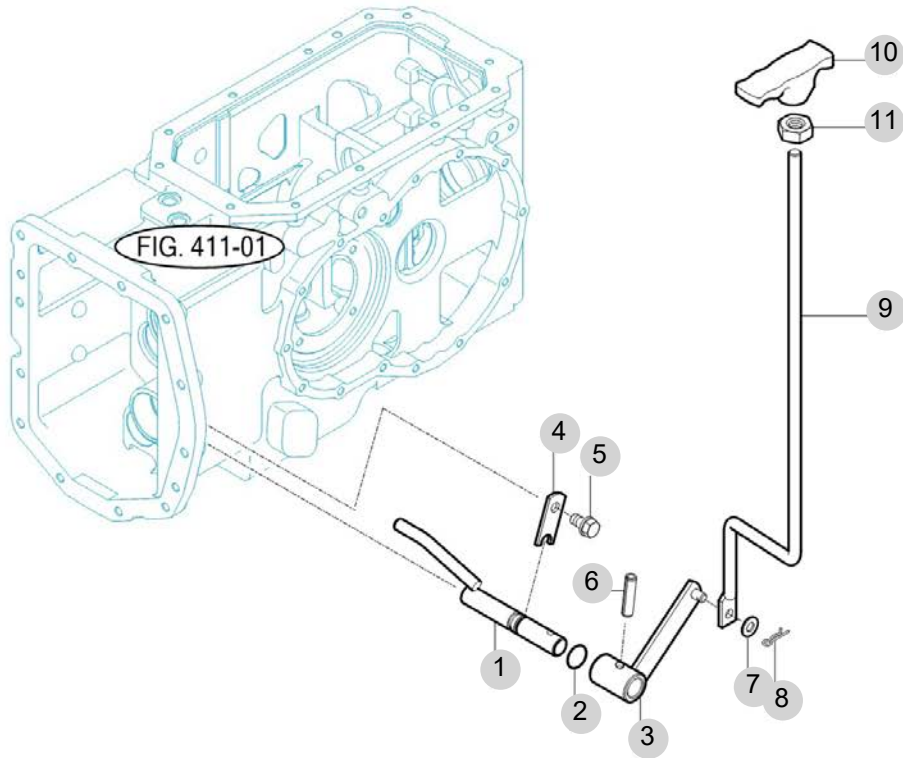
FIG 418

4WD CHANGE LEVER

년/월
Year/Month

2022-12

T395NCEU1



T303/353NC-E-418

NOTE

5. 프런트 액슬 PART NO. T5

FIG 501 FRONT AXLE BRACKET	116
FIG 502 FRONT DIFF. GEARS & SHAFT	118
FIG 503 FRONT AXLE HOUSING	120
FIG 504 FRONT GEAR CASE (1)	122
FIG 505 FRONT GEAR CASE (2)	124

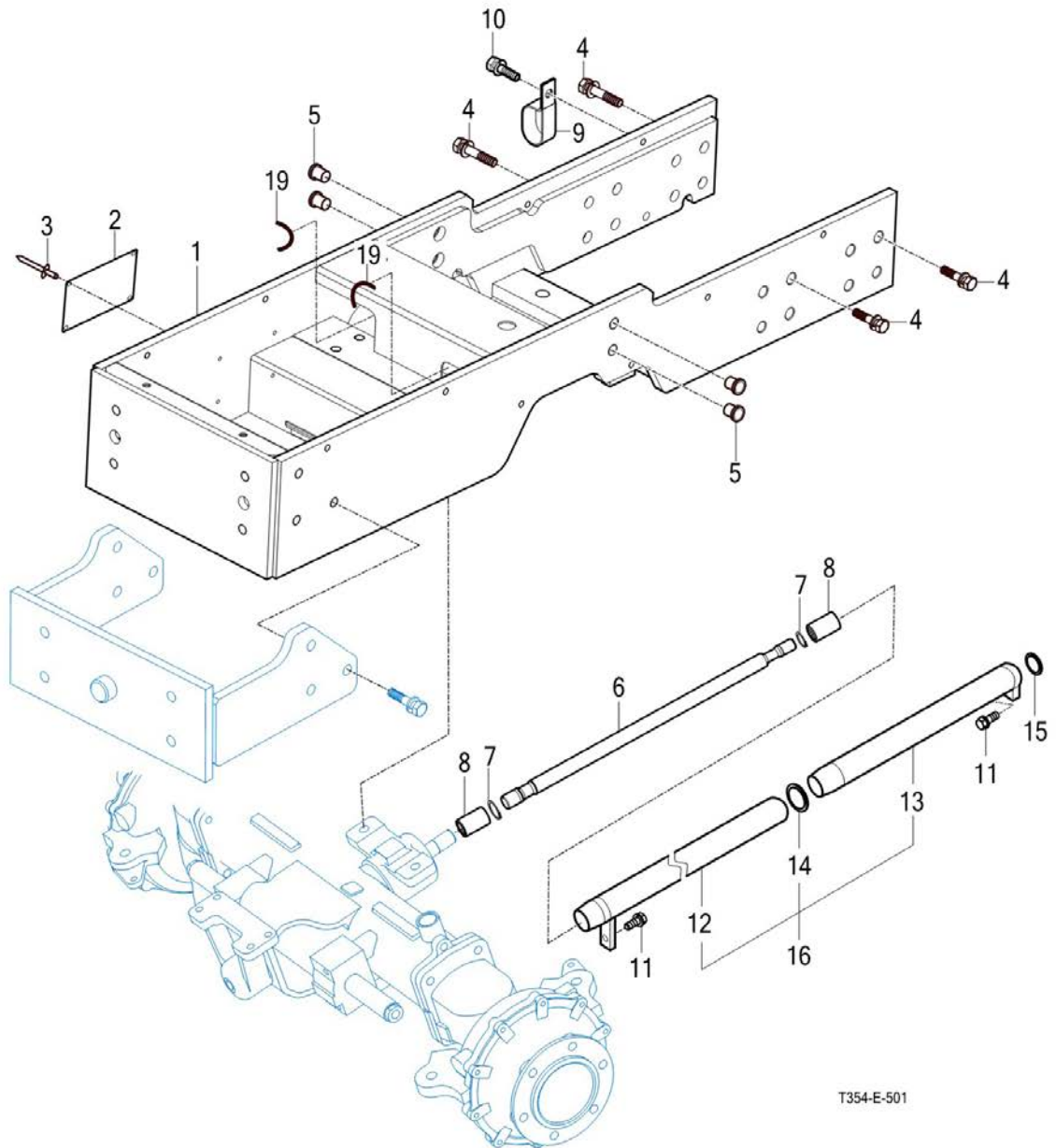
FIG 501

FRONT AXLE BRACKET

년/월
Year/Month

2022-12

T395NCEU1



T354-E-501

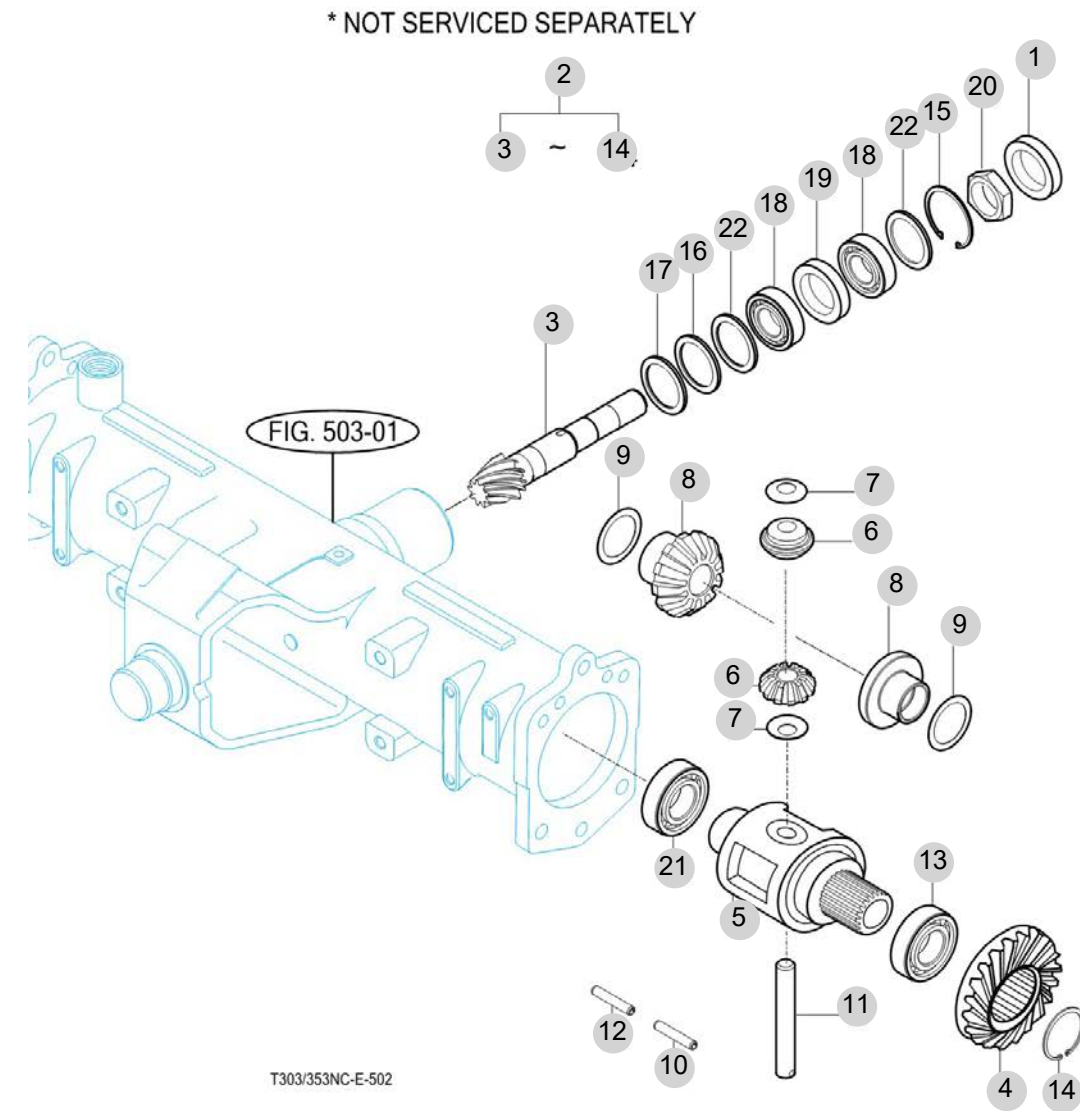
NOTE

FIG 502

FRONT DIFF. GEARS & SHAFT

년/월
Year/Month

2022-12



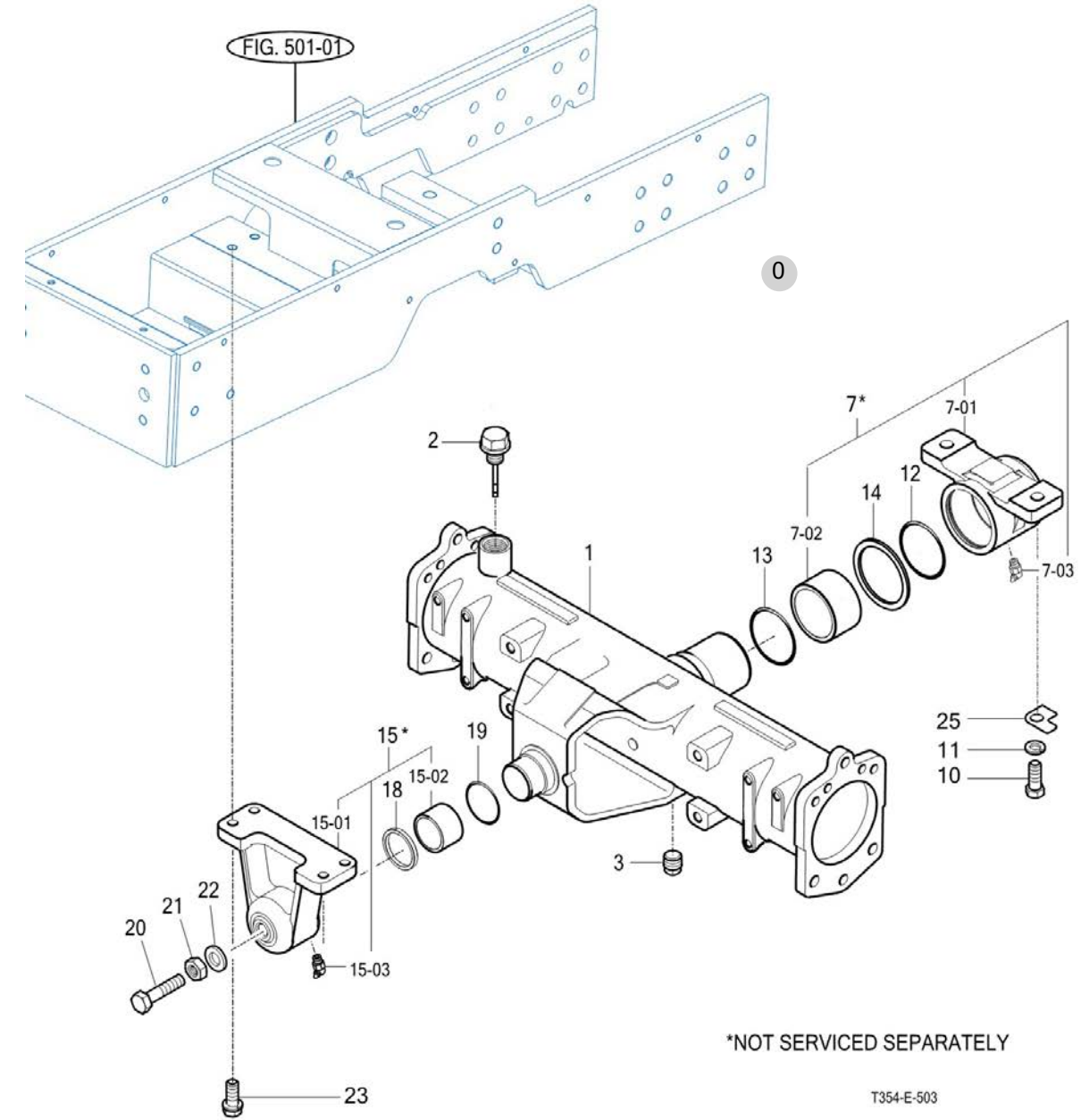
NOTE

FIG 503

FRONT AXLE HOUSING

년/월
Year/Month

2022-12



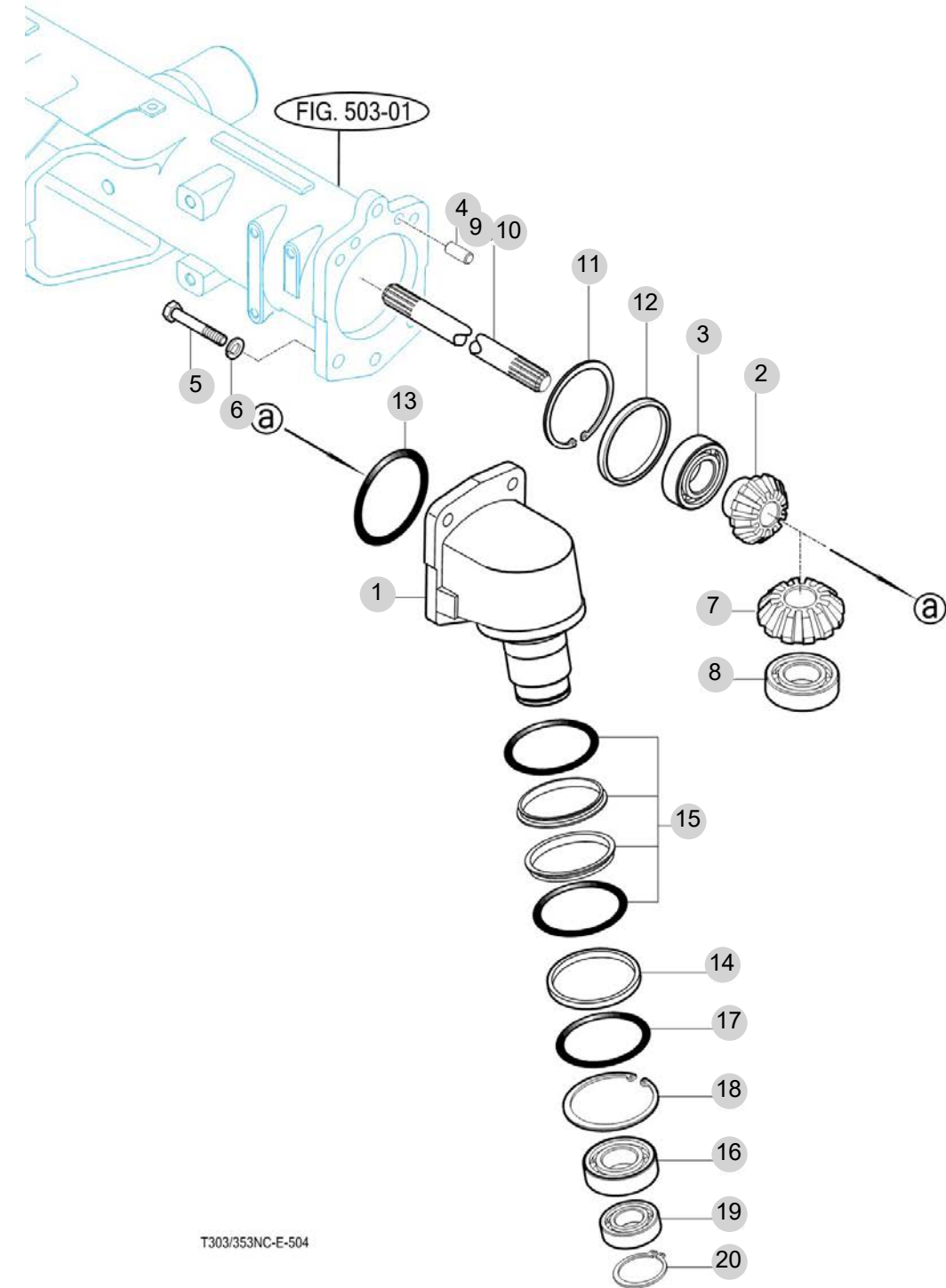
NOTE

FIG 504

FRONT GEAR CASE (1)

년/월
Year/Month

2022-12



T303/353NC-E-504

NOTE

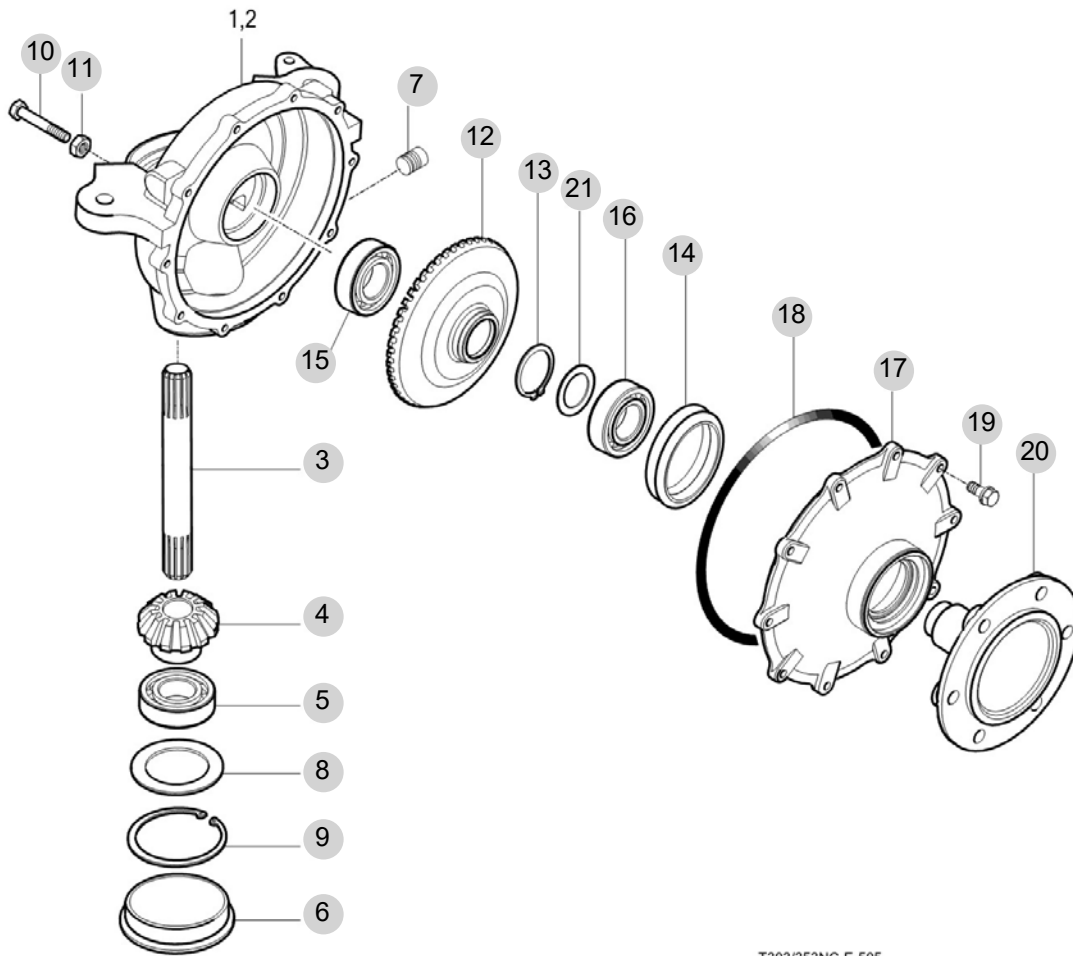
FIG 505

FRONT GEAR CASE (2)

년/월
Year/Month

2022-12

T395NCEU1



T303/353NC-E-505

NOTE

6. 유압/3점링크 PART NO. T6

FIG 601 GEAR PUMP	127
FIG 602 CYLINDER CASE	129
FIG 603 LIFT ARM	131
FIG 604 CYLINDER	133
FIG 605 POSITION LINK (1)	135
FIG 606 POSITION LINK (2)	137
FIG 607 CONTROL VALVE	139
FIG 608 POSITION LEVER	141
FIG 609 HYDRAULIC PIPE (1)	143
FIG 610 HYDRAULIC PIPE (2)	145
FIG 611 EXTERIOR HYD. VALVE	147
FIG 612 3-POINT LINK	149
FIG 613 HITCH & COVER	152

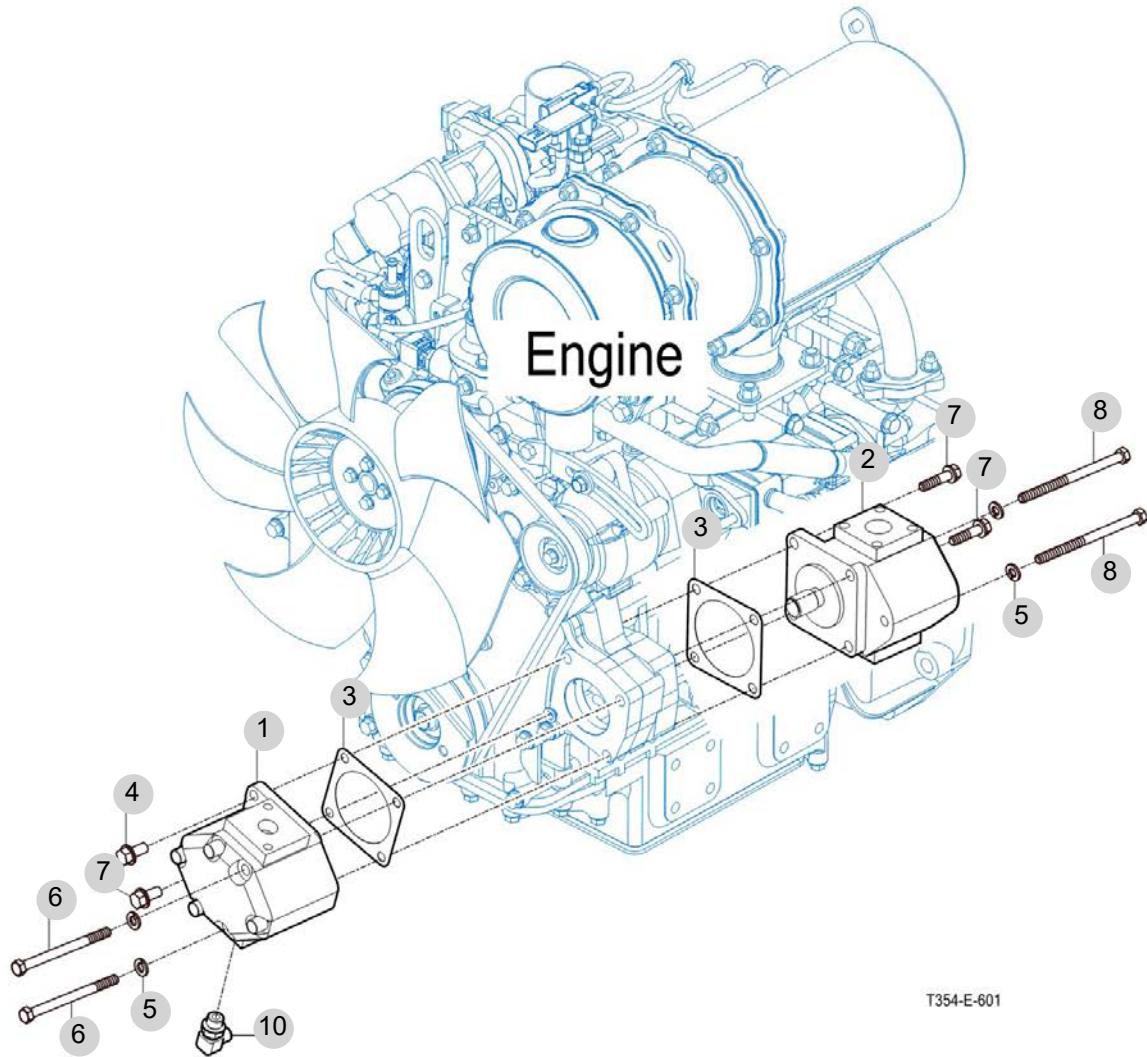
FIG 601

GEAR PUMP

년/월
Year/Month

2022-12

T395NCEU1



NOTE

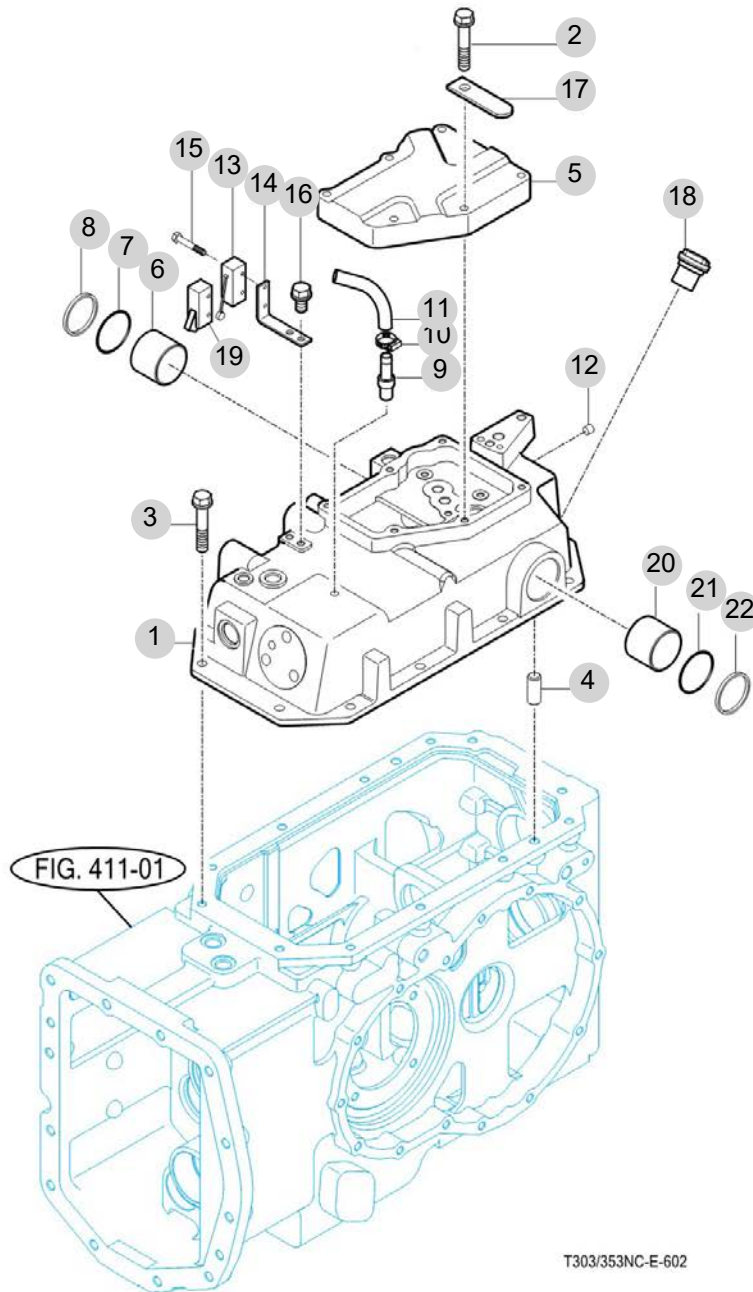
FIG 602

CYLINDER CASE

년/월
Year/Month

2022-12

T395NCEU1



NOTE

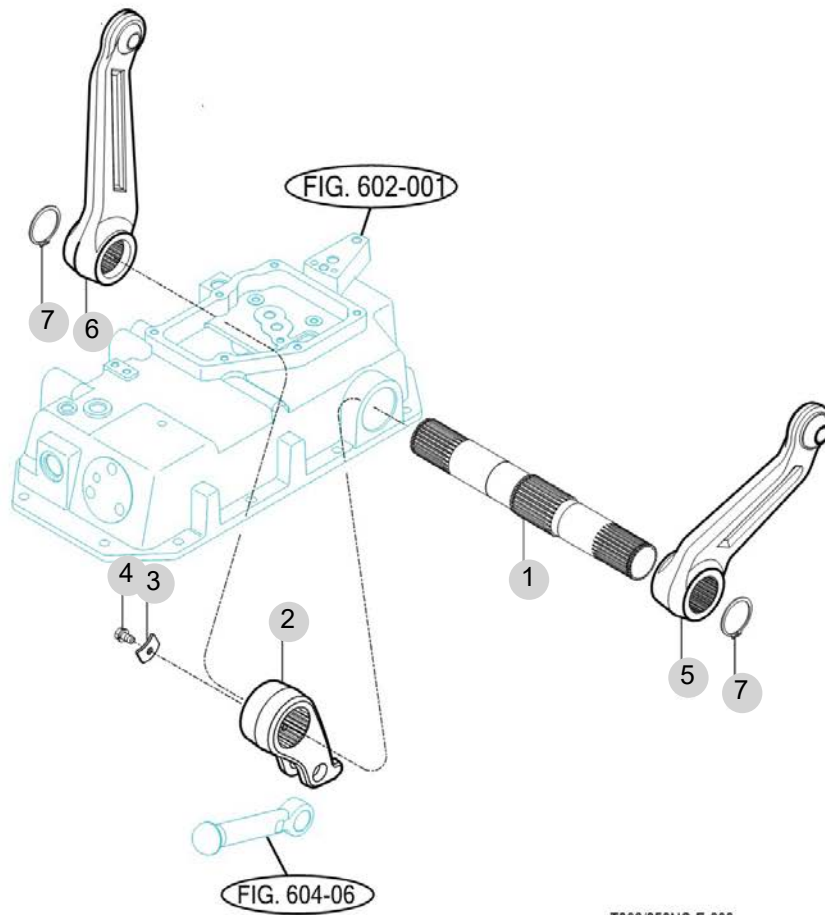
FIG 603

T395NCEU1

LIFT ARM

년/월
Year/Month

2022-12



T303/353NC-E-603

NOTE

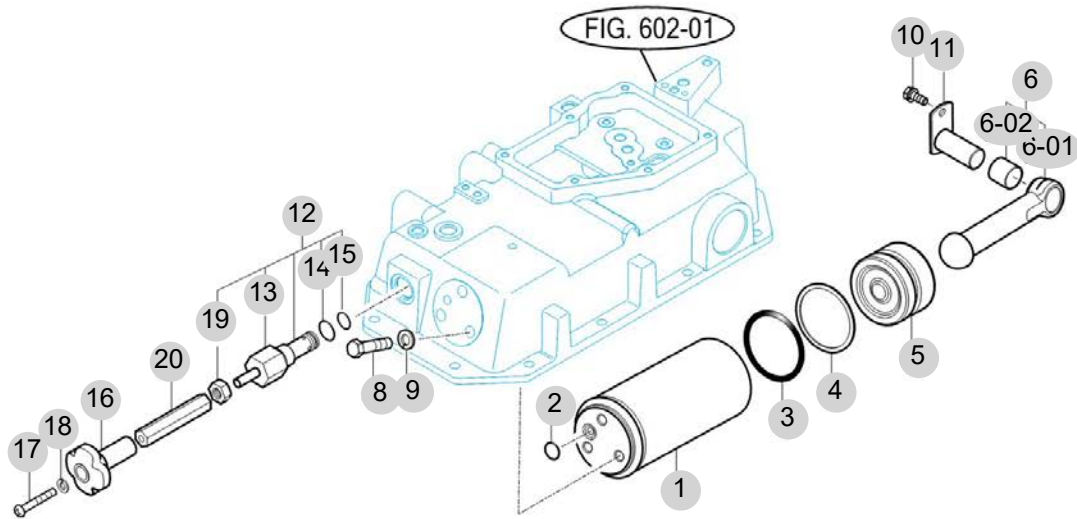
FIG 604

T395NCEU1

CYLINDER

년/월
Year/Month

2022-12



T303/353NC-E-604

NOTE

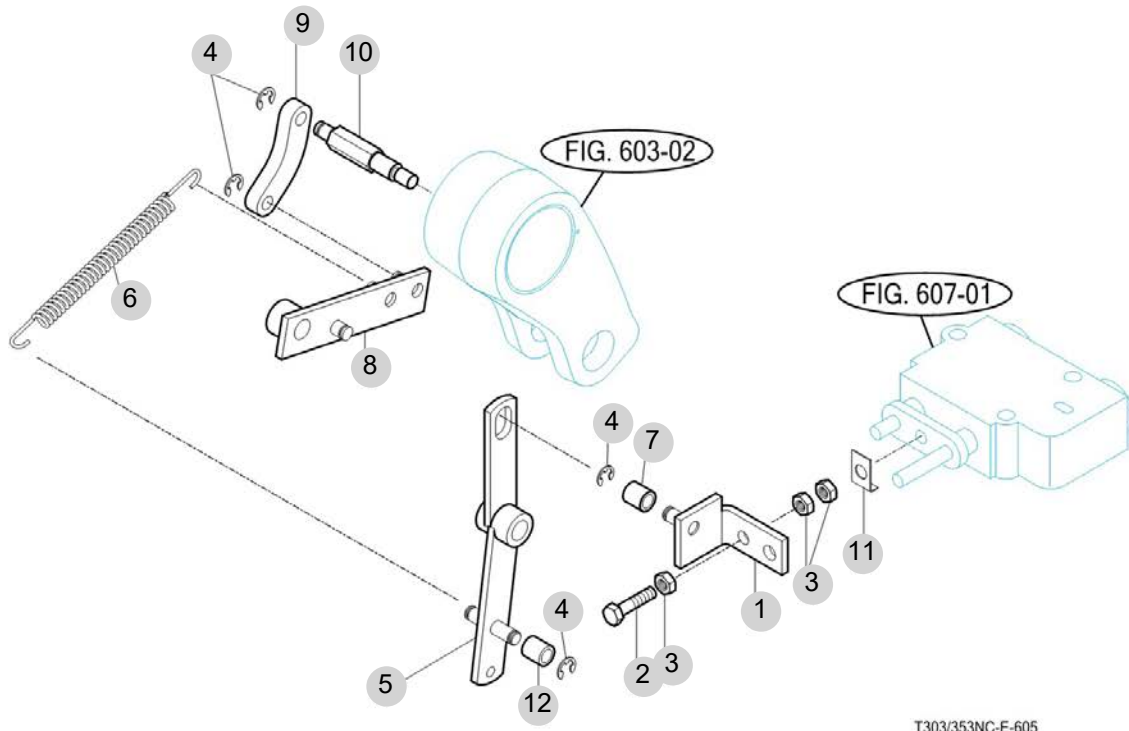
FIG 605

T395NCEU1

POSITION LINK (1)

년/월
Year/Month

2022-12



T303/353NC-E-605

NOTE

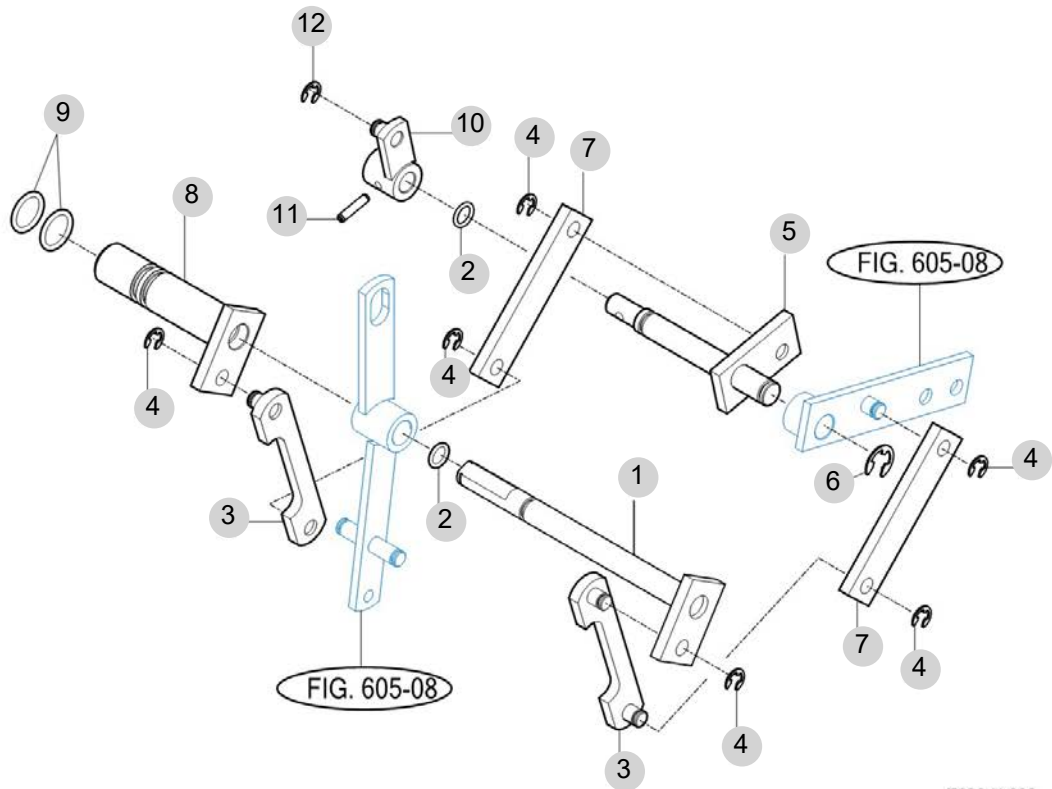
FIG 606

T395NCEU1

POSITION LINK (2)

년/월
Year/Month

2022-12



T393-K-606

NOTE

FIG 606 T395NCEU1		POSITION LINK (2)						년/월 Year/Month
								2022-12
KEY NO	PART NO	DESCRIPTION	SPEC	QTY	REPAIR	EFFECTIVE DATE	REMARKS	
606	1	17995041500	샤프트(포지션)COMP					
606	2	V7201019009	O링(P)	P9	2			
606	3	17995060050	링크(B)COMP		2			
606	4	V7081400060	E형멈춤링	6	6			
606	5	17995061300	암(견인 링크/내)COMP		1			
606	6	V7081400090	E형멈춤링	8	1			
606	7	17995060061	링크		2			
606	8	17995041200	샤프트(드레프트)COMP		1			
606	9	V7201024016	O링(P)		2			
606	10	17995060120	암(견임 링크/외)		1			
606	11	V5801404018	스프링핀		1			
606	12	V7081400120	E형멈춤링		1			
NOTE								

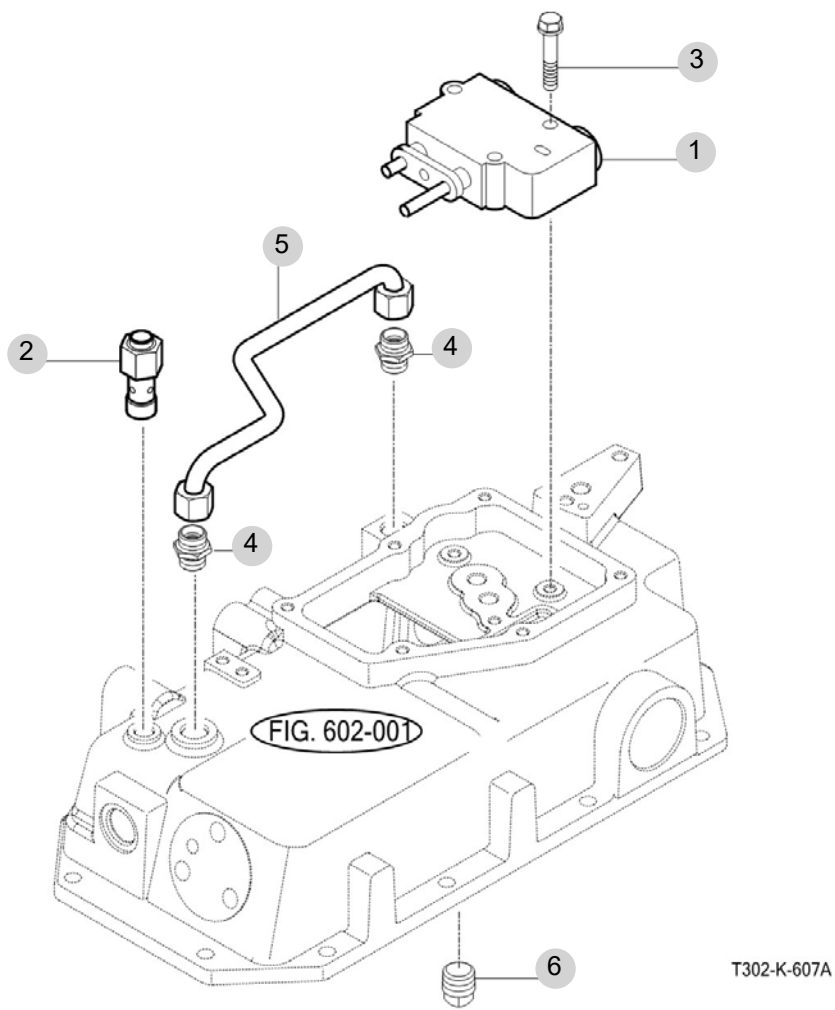
FIG 607

CONTROL VALVE

년/월
Year/Month

2022-12

T395NCEU1



NOTE

FIG 607		CONTROL VALVE						년/월 Year/Month
T395NCEU1								2022-12
KEY NO	PART NO	DESCRIPTION	SPEC	QTY	REPAIR	EFFECTIVE DATE	REMARKS	
607	1	17995050100	메인 컨트롤 밸브					
607	1	17995050101	밸브, /메인 컨트롤					
607	2	16700070000	릴리프밸브ASSY					
607	3	V2173608045	소형육각볼트보통(S)	M8X45	3			
607	4	16705060060	유니온		2			
607	5	16705062400	파이프(실린더) COMP		1			
607	6	V7811600006	플러그(사각테이퍼)	R3/8	1			
NOTE								

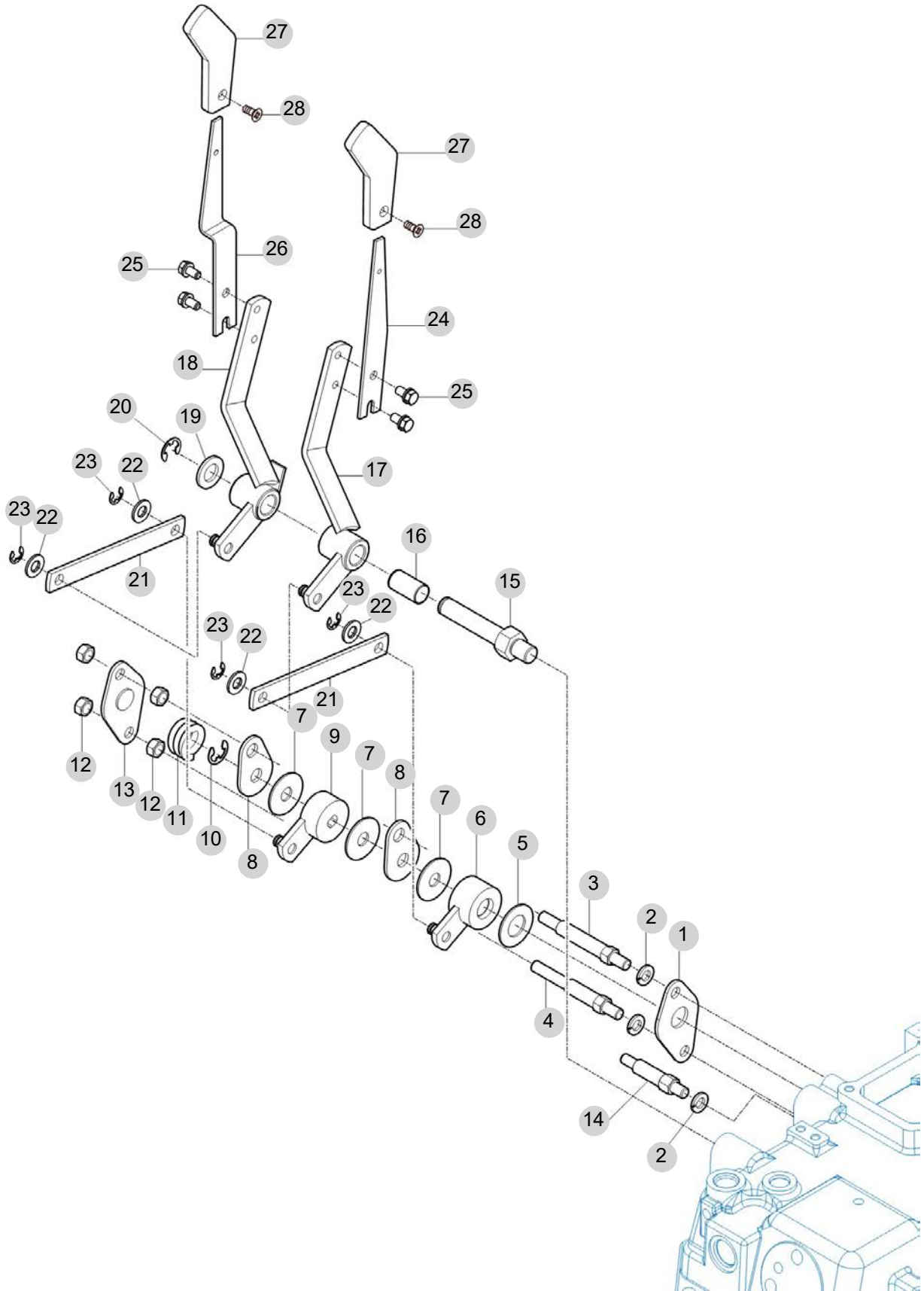
FIG 608

POSITION LEVER

년/월
Year/Month

2022-12

T395NCEU1



NOTE

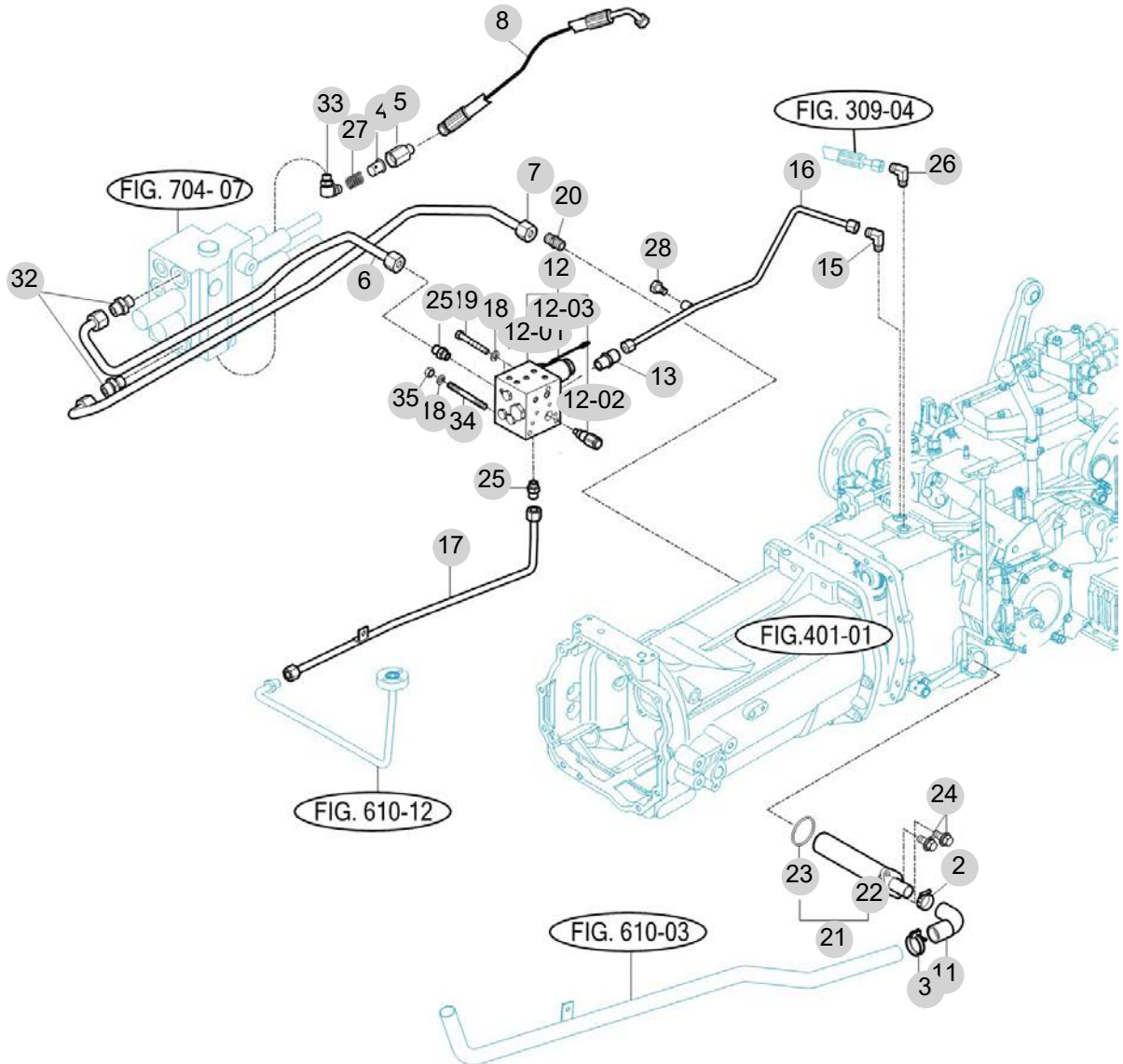
FIG 609

HYDRAULIC PIPE (1)

년/월
Year/Month

2022-12

T395NCEU1



T354-E-609

NOTE

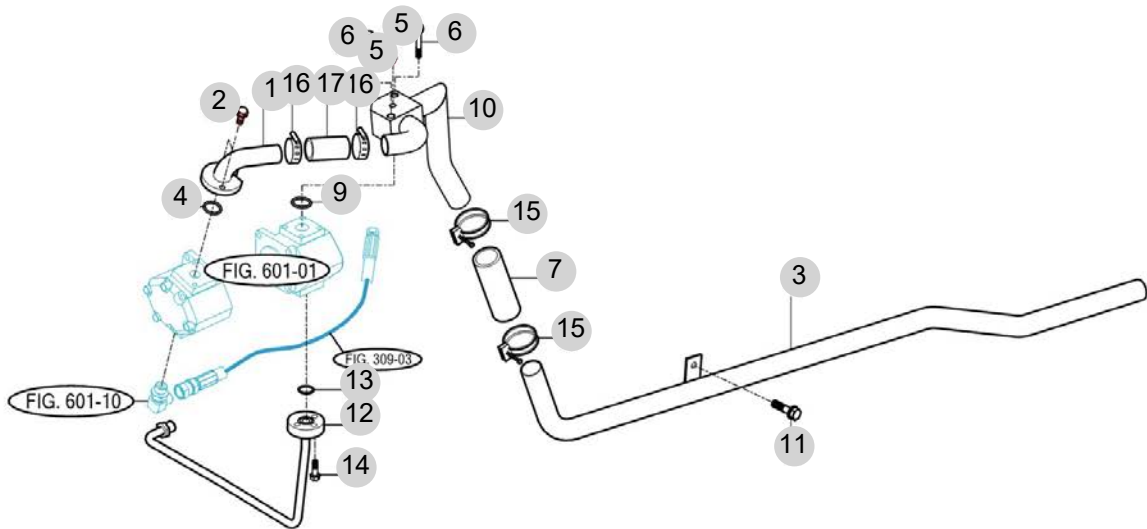
FIG 610

HYDRAULIC PIPE (2)

년/월
Year/Month

2022-12

T395NCEU1



T394NC-E-610

NOTE

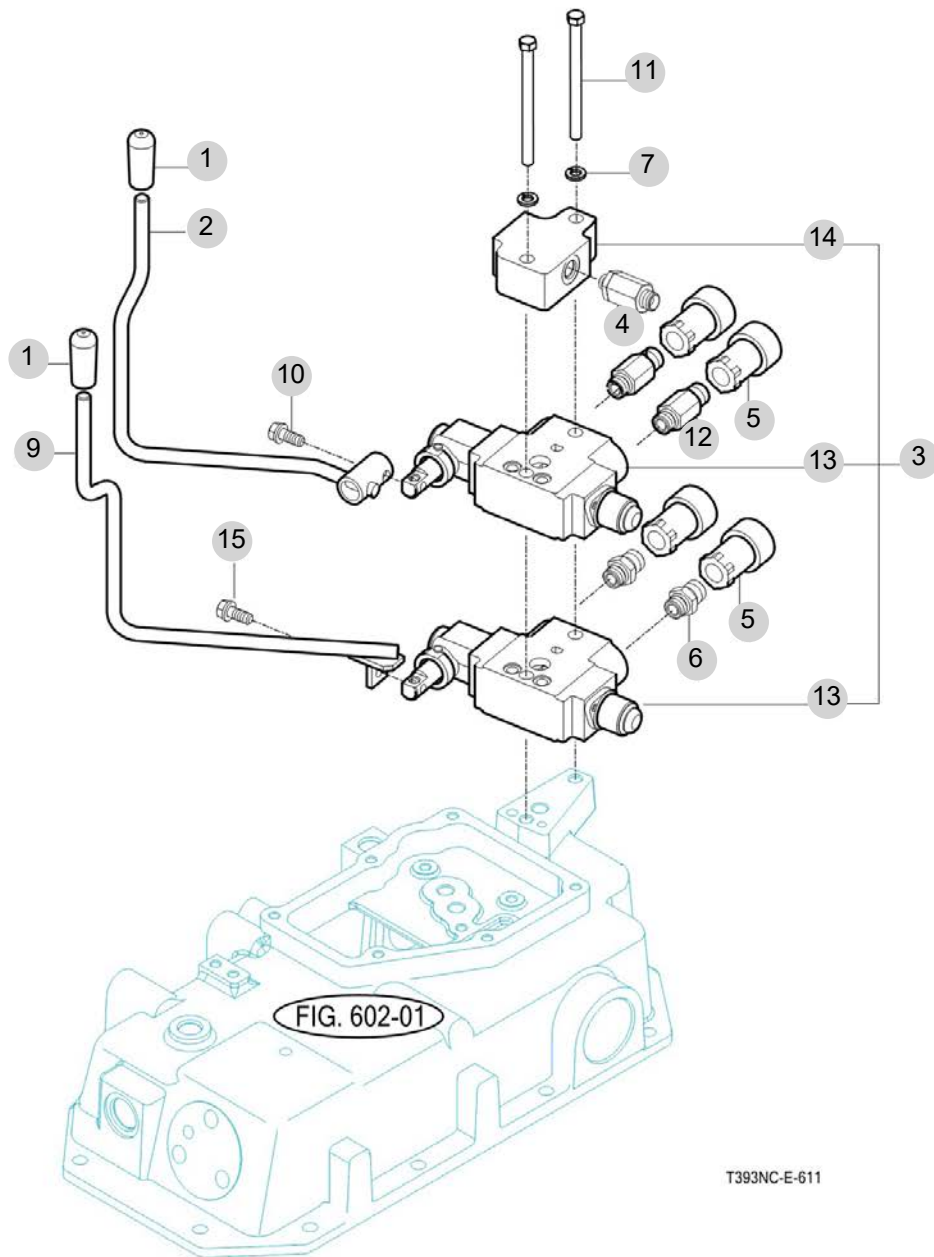
FIG 611

EXTERIOR HYD. VALVE

년/월
Year/Month

2022-12

T395NCEU1



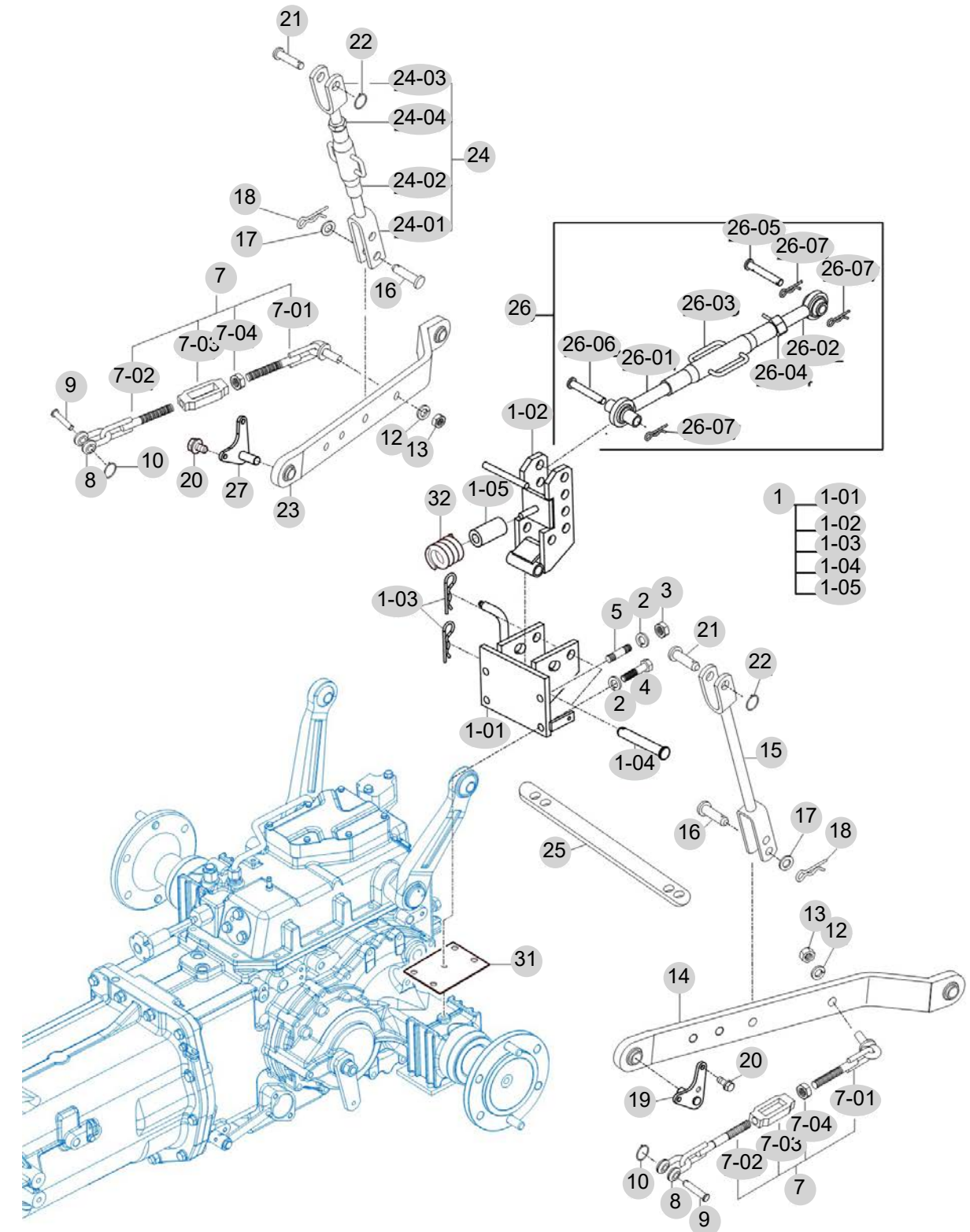
NOTE

FIG 612

3-POINT LINK

년/월
Year/Month

2022-12



T393NC-K-612

NOTE

FIG 612		3-POINT LINK					년/월	
							Year/Month	
T395NCEU1		2022-12						
KEY NO	PART NO	DESCRIPTION	SPEC	QTY	REPAIR	EFFECTIVE DATE	REMARKS	
612	1	13015205000	브래킷 ASSY		1			
612	1-01	13015222000GB	브래킷 COMP		1			
612	1-02	13015222100GB	링크 COMP		1			
612	1-03	14445140051	헤어핀(19)		2			
612	1-04	15645250010	핀(19X122)		2			
612	1-05	17995220990	가이드 고무		1			
612	2	V4011600140	스프링와셔	M14	4			
612	3	V3043600140	소형육각너트보통2종	M14	2			
612	4	V2014614035	소형육각볼트(보통)		2			
612	5	V2514414030	스터드볼트2종	M14X30	2			
612	7	16705142501	체인(체크) 조합		2			
612	7-01	16705244100	체인(체크,LH)COMP		2			
612	7-02	16705142800	체인(체크,RH)COMP		2			
612	7-03	16705142510M	터언버클		2			
612	7-04	V3043600160	소형육각너트보통2종	M14	2			
612	8	16705142520	체크체인 샤클		2			
612	9	79636110030	핀(12X48)		2			
612	10	16735240060	스프링(45)	3X20	2			
612	12	V4011600160	스프링와셔	M16	2			
612	13	V3013600160	육각너트보통2종	M16	2			
612	14	16705142001GB	로어링크(LH)COMP		1			
612	15	16705142400GB	리프트로드(LH) COMP		1			
612	16	79636130050	핀(16X60)		2			
612	17	V4111600160	평와셔	M16	2			
612	18	13059310030	헤어핀(D=2.3)		2			
612	19	12385142200	핀(LH) COMP		2			
612	20	V2173612030	소형육각볼트보통(S)	M12X30	4			
612	21	16705020050	핀(19X69)		2			
612	22	16735240060	스프링(45)		2			
612	23	16705142101GB	로어링크(RH)COMP		1			
612	24	16705145000GB	리프트로드(RH)ASSY		1			
612	24-01	16705145200	포크(하)COMP		1			
612	24-02	16705145100	슬리브 COMP		1			
612	24-03	16705145300	포크(상)COMP		1			
612	24-04	V3023600220	육각너트보통3종		1			
612	25	15605250030	밴드(470)		1			
612	26	16505245501GB	톱링크ASSY		1			
612	26	16505245502GB	톱링크 ASSY		1			
612	26-01	16505245510	톱링크COMP(RH)		1			
612	26-02	16505245520	톱링크COMP(LH)		1			
612	26-03	14555140251	터번클 조합(톱링크)		1			
612	26-04	16505245530	육각너트		1			
612	26-05	15645220020	핀(19X95)		1			
612	26-06	15645220011	핀(19X86)		1			
612	26-07	14445140051	헤어핀(19)		2			
NOTE								

FIG 612 T395NCEU1		3-POINT LINK						년/월 Year/Month
								2022-12
KEY NO	PART NO	DESCRIPTION	SPEC	QTY	REPAIR	EFFECTIVE DATE	REMARKS	
612	27	12385142300	핀 (RH) COMP		1			
612	31	13017020040GB	플레이트, ROPS 미부착		2			
612	32	15685100020GB	스프링(HC067)		1			
NOTE								

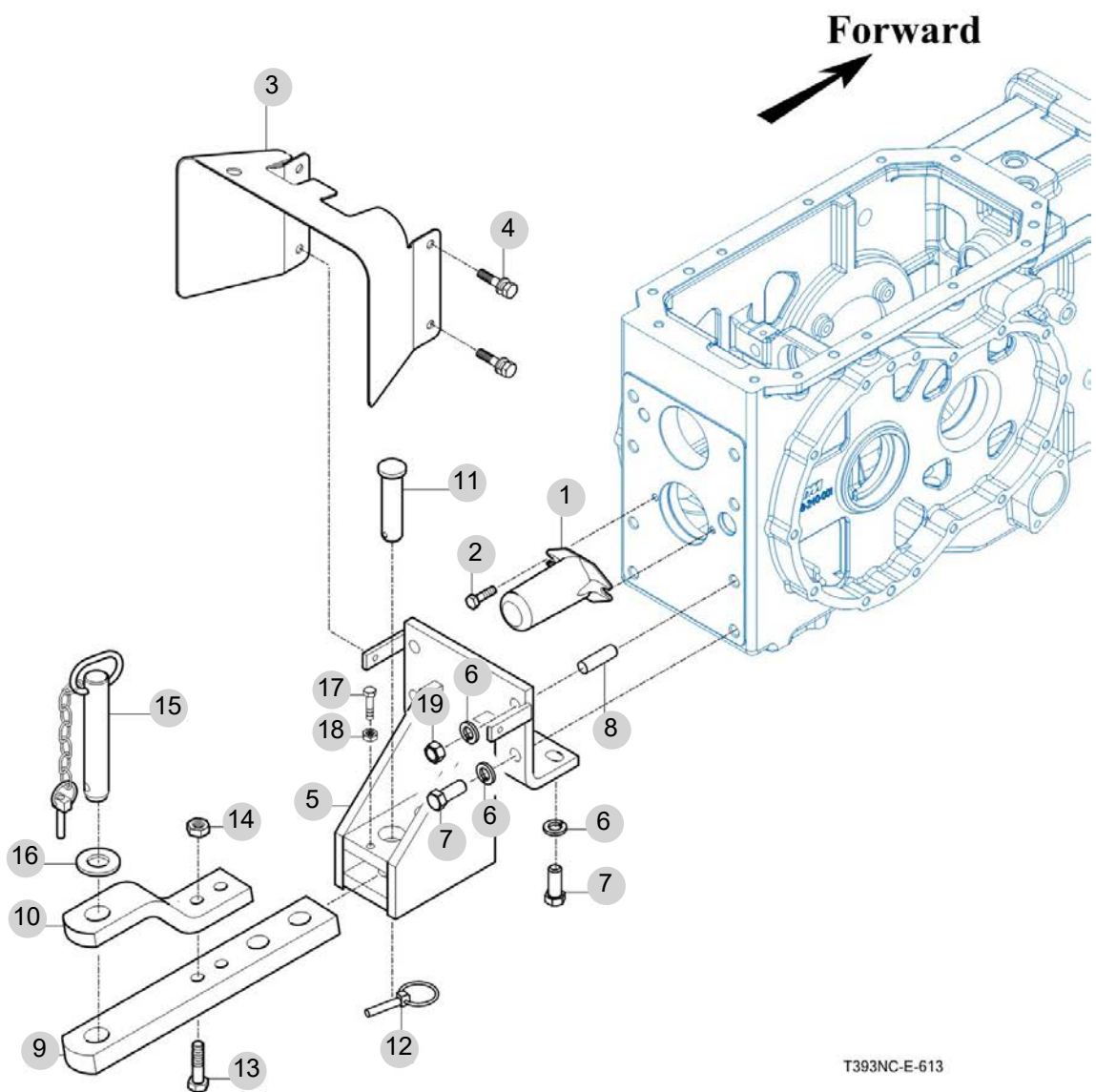
FIG 613

HITCH & COVER

년/월
Year/Month

2022-12

T395NCEU1



NOTE

7. 시트메탈/캐빈 PART NO. T7

FIG 701 HOOD	155
FIG 702 BONNET	157
FIG 704 FENDER & REAR FRAME	160
FIG 705 DASHPANEL	163
FIG 706 FLOOR PANEL	165
FIG 707 SEAT	167
FIG 708 FRONT & REAR MOUNTING	169
FIG 709 ROPS	171

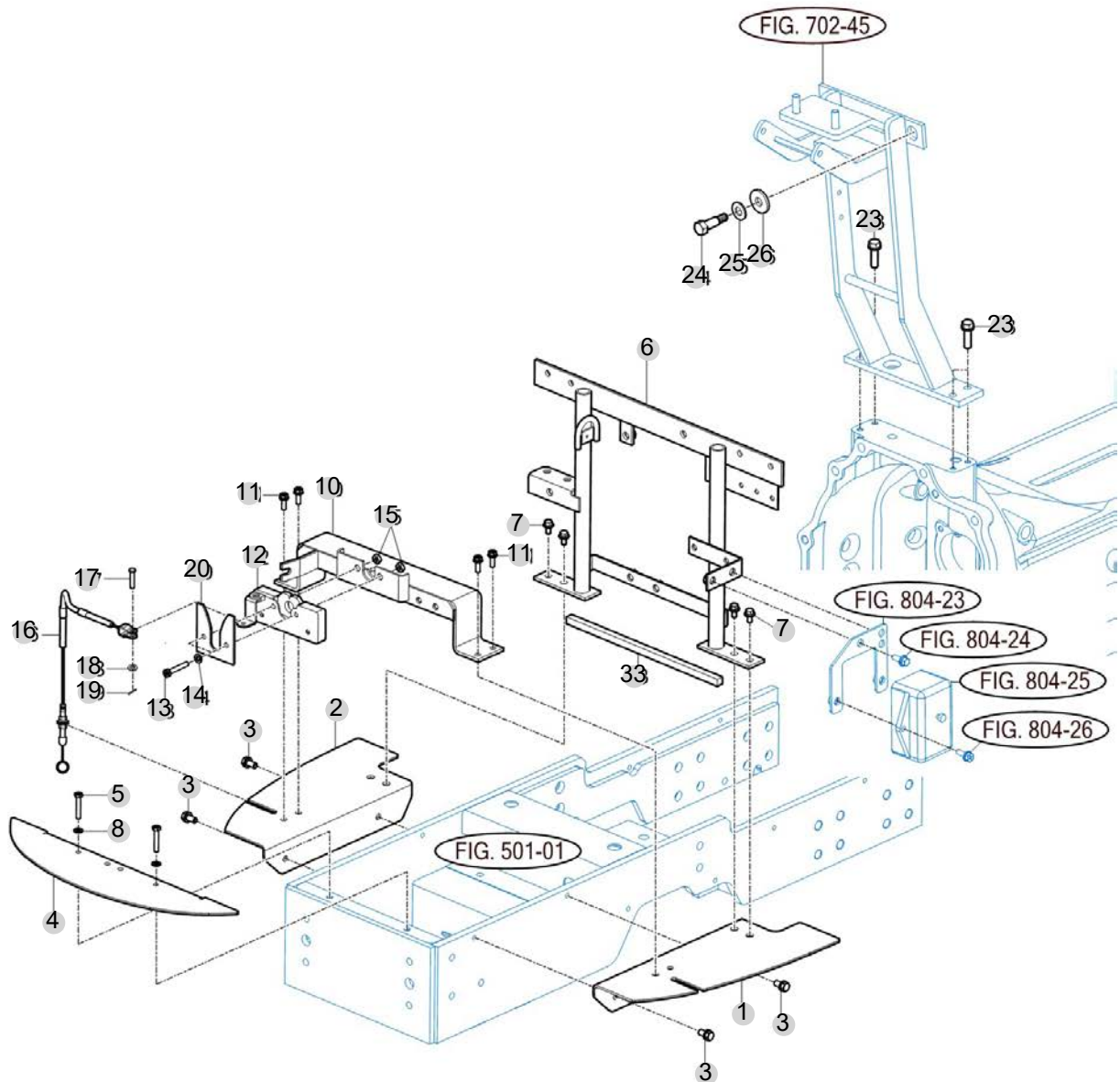
FIG 701

T395NCEU1

HOOD

년/월
Year/Month

2022-12



NOTE

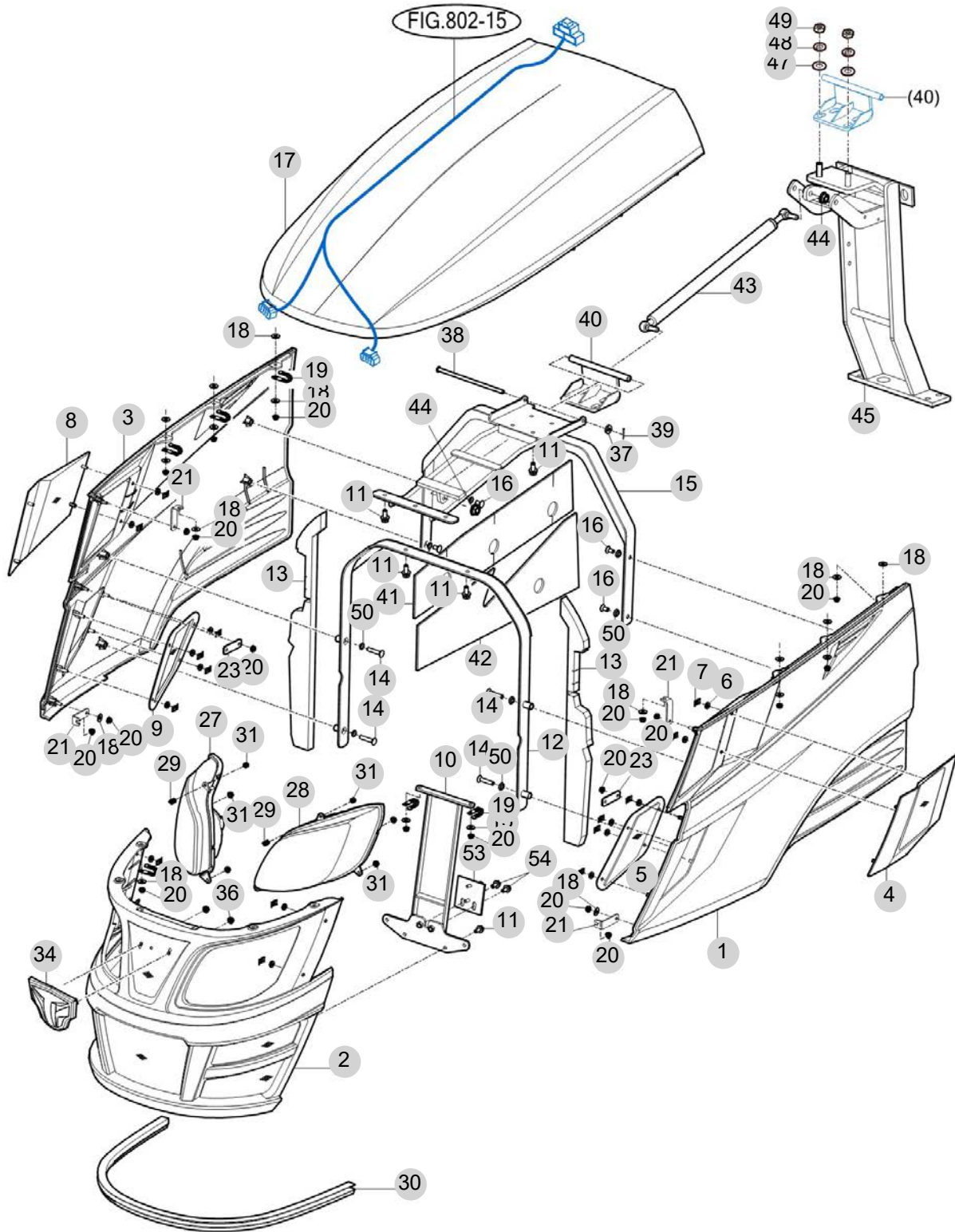
FIG 702

BONNET

년/월
Year/Month

2022-12

T395NCEU1



NOTE

FIG 702		BONNET					년/월	
							Year/Month	
T395NCEU1		2022-12						
KEY NO	PART NO	DESCRIPTION	SPEC	QTY	REPAIR	EFFECTIVE DATE	REMARKS	
702	1	17406203301SR	사이드 커버 COMP , 좌		1			
702	1	17406203302SR	사이드 커버 COMP , 좌		1			
702	1	17406203303SR	사이드 커버 COMP , 좌		1			
702	2	17406203201GB	그릴 COMP		1			
702	3	17406203401SR	사이드 커버 COMP , 우		1			
702	3	17406203402SR	사이드 커버 COMP , 우		1			
702	3	17406203403SR	사이드 커버 COMP , 우		1			
702	4	17406203500GB	네트 , 상/좌		1			
702	5	17406203600GB	네트 , 하/좌		1			
702	6	14446010150	네트와샤(6X14X3)		16			
702	7	V3501600060	스프링 너트		16			
702	8	17406203700GB	네트 , 상/우		1			
702	9	17406203800GB	네트 , 하/우		1			
702	10	18366202500GB	핀 COMP , 후드락		1			
702	11	V2183608020	소형육각볼트보통(SP)		13			
702	12	17406202300GB	후드 프레임 COMP , 전		1			
702	13	17406202430	인슐레이터 , 사이드 전		2			
702	14	V1122608040	심자흡접시작은나사		4			
702	15	10536202700GB	후드 프레임 COMP , 후		1			
702	15	10536202701GB	후드 프레임 COMP , 후		1			
702	15	10536202702GB	후드 프레임 COMP , 후		1			
702	16	V1122608016	심자흡접시작은나사		4			
702	17	17406203101SR	후드 COMP		1			
702	17	17406203102SR	후드 COMP		1			
702	17	17406203103SR	후드 COMP		1			
702	18	35605033020	와이어인출용와셔		22			
702	19	37371720090	메인하니스 클램프(하)		6			
702	20	V3802600060	플랜지붙이육각너트	M6	24			
702	21	17406203011GB	플레이트 , 상/사이드		4			
702	21	17406203010GB	플레이트 , 상/사이드		4			
702	23	17406203020GB	플레이트 , 중/사이드		2			
702	27	17406525001	헤드램프 ASSY , 우		1			
702	27	17406525002	헤드램프 ASSY , 우		1			
702	28	17406524001	헤드램프 ASSY , 좌		1			
702	28	17406524002	헤드램프 ASSY , 좌		1			
702	29	36108010080	중자출구스프링(HC016)		2			
702	30	17406203900	인슐레이터 , 후드		1			
702	31	19027210060	나일론너트(M6)		6			
702	34	19959010011	엠블럼		1			
702	34	17406212000	엠블럼 ASSY , V5		1			
702	36	V3802600060	플랜지붙이육각너트	M6	2			
702	37	V4111600080	평와셔	M8	1			
702	38	13016202060	후드 핀		1			
702	39	V5001925020	핀		1			
702	40	13016202803GB	후드 힌지 플레이트 COMP		1			
NOTE								

FIG 702 T395NCEU1		BONNET						년/월 Year/Month	
								2022-12	
KEY NO		PART NO	DESCRIPTION	SPEC	QTY	REPAIR	EFFECTIVE DATE	REMARKS	
702	40	13016202804GB	후드 힌지 플레이트 COMP		1				
702	40	13016202805GB	플레이트 COMP , 보닛 힌지		1				
702	40	13016202806GB	플레이트 COMP , 보닛 힌지		1				
702	41	17406202420	인슐레이터 , 사이드 후/좌		1				
702	42	17406202411	인슐레이터 , 후드		1				
702	43	17406202901	후드 가스스프링		2				
702	43	12366202900	후드 가스스프링		1				
702	44	V3802600080	플랜지붙이육각너트	M8	2				
702	45	17406022101GB	후드 프레임 COMP		1				
702	47	V4111600100	평와셔	M10	2				
702	48	V4011600100	스프링와셔	M10	2				
702	49	V3043600100	소형육각너트보통2종	M10	2				
702	50	13836202450	이붙이 와셔		8				
702	53	18366017300GB	브래킷 COMP , 전/후드		1				
702	54	V2183608025	소형육각볼트보통(SP)		2				
NOTE									

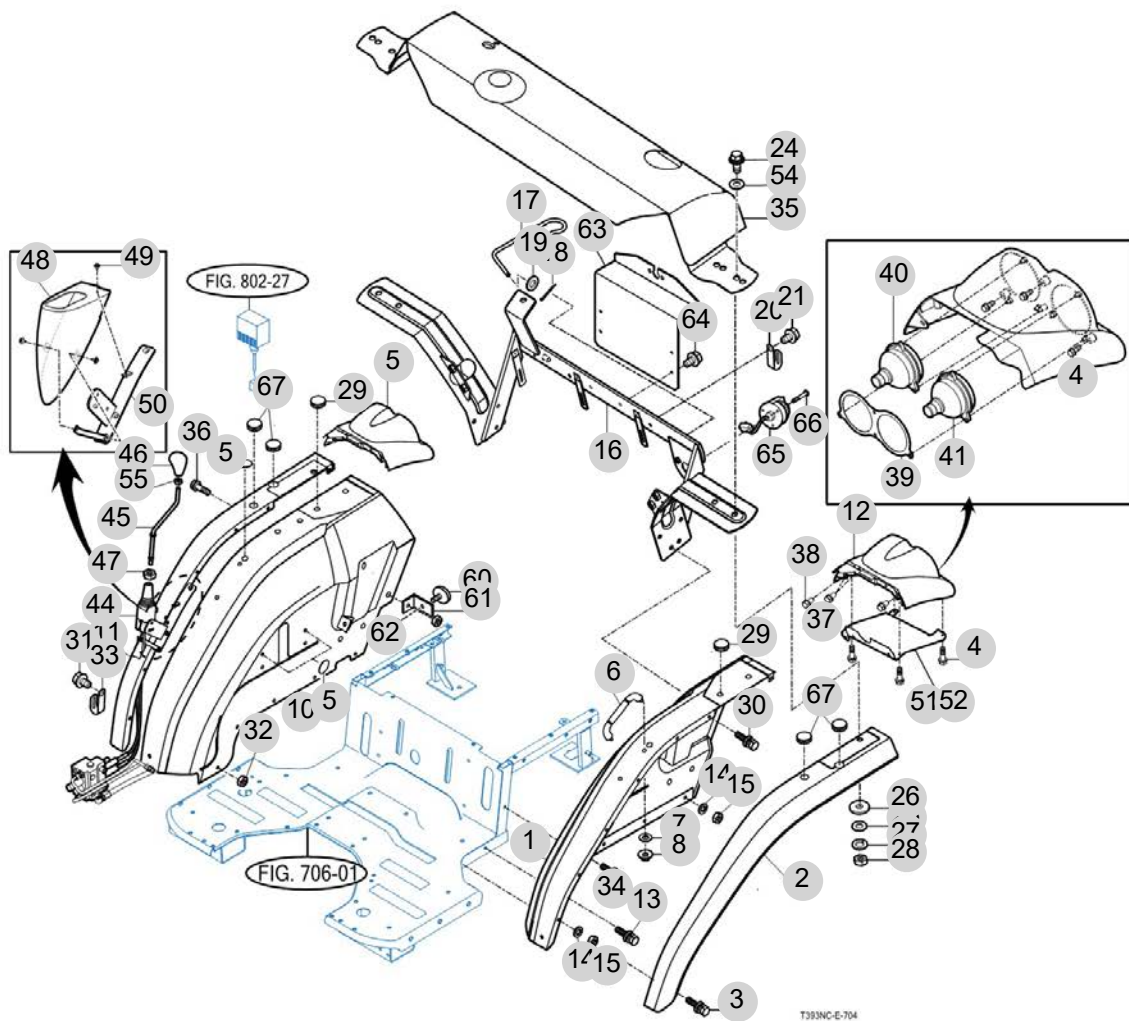
FIG 704

FENDER & REAR FRAME

년/월
Year/Month

2022-12

T395NCEU1



NOTE

FIG 704 T395NCEU1		FENDER & REAR FRAME					년/월 Year/Month	
							2022-12	
KEY NO	PART NO	DESCRIPTION	SPEC	QTY	REPAIR	EFFECTIVE DATE	REMARKS	
704	1	14726063502SR	휀더(LH)COMP			1		
704	2	12656060040SR	훗받이 휀더 (LH)			1		
704	2	12656060041SR	훗받이 휀더 (LH)			1		
704	3	V2193606016	육각볼트(SPL)	M6X16		12		
704	4	V2123606012	육각볼트(SP)	M6X12		14		
704	5	16606070031	캡(9)			10		
704	6	14726071101	손잡이 COMP			1		
704	7	35602010150	결속축와셔	T=2.3		4		
704	8	V3802600080	플랜지볼이육각너트			4		
704	9	13016060030	리어 램프 커버(우)			1		
704	10	14726063602SR	휀더(RH)COMP(PNT)			1		
704	11	10526060020SR	훗받이 휀더 (RH)			1		
704	11	10526060021SR	훗받이 휀더 (RH)			1		
704	12	13016060020	리어램프커버(좌)			1		
704	13	V2183608020	소형육각볼트보통(SP)	M8X20		8		
704	14	V4011600080	스프링와셔	M8		4		
704	15	V3042600080	소형육각너트보통2종	M8		4		
704	16	16707035403SR	리어프레임(연료탱크)COMP			1		
704	17	14885251100	후크(톱링크)			1		
704	18	V4111600060	평와셔	M6		1		
704	19	V5001920015	분할핀	2X15		1		
704	20	14256210040	하니스클램프(9)			1		
704	21	V2123606012	육각볼트(SP)	M6X12		1		
704	25	V4111600120	평와셔	M12		4		
704	26	36217020030	플리 와셔			4		
704	27	V4011600120	스프링와셔	M12		4		
704	28	V3043600120	소형육각너트보통2종	M12		4		
704	29	14326510210	고무캡(20)			2		
704	30	V2183608020	소형육각볼트보통(SP)	M8X20		4		
704	31	V2183608020	소형육각볼트보통(SP)	M8X20		1		
704	32	V3042600080	소형육각너트보통2종	M8		1		
704	33	14256210040	하니스클램프(9)			1		
704	34	V2183608035	소형육각볼트보통(SP)	M8X35		2		
704	35	14777036302DR	커버 COMP(연료탱크)(PNT)			1		
704	35	14777036302SR	커버 COMP (연료탱크)			1		
704	35	14777036303SR	커버 COMP , 연료탱크			1		
704	36	V2183610020	소형육각볼트보통(SP)	M10X20		2		
704	37	V2323606016	심자훗육각볼트(SP)			6		
704	38	V2193606020	육각볼트(SPL)			2		
704	39	13016061300	리어램프 고정플레이트			2		
704	40	13367023400	스톱램프 ASSY			2		
704	41	14527023300	방향지시등(REAR)ASSY			2		
704	43	V2173612030	소형육각볼트보통(S)	M12X30		2		
704	44	13015504005	로더밸브 조이스틱 ASSY			1		
704	45	12396013900GB	레버(조이스틱)COMP			1		
NOTE								

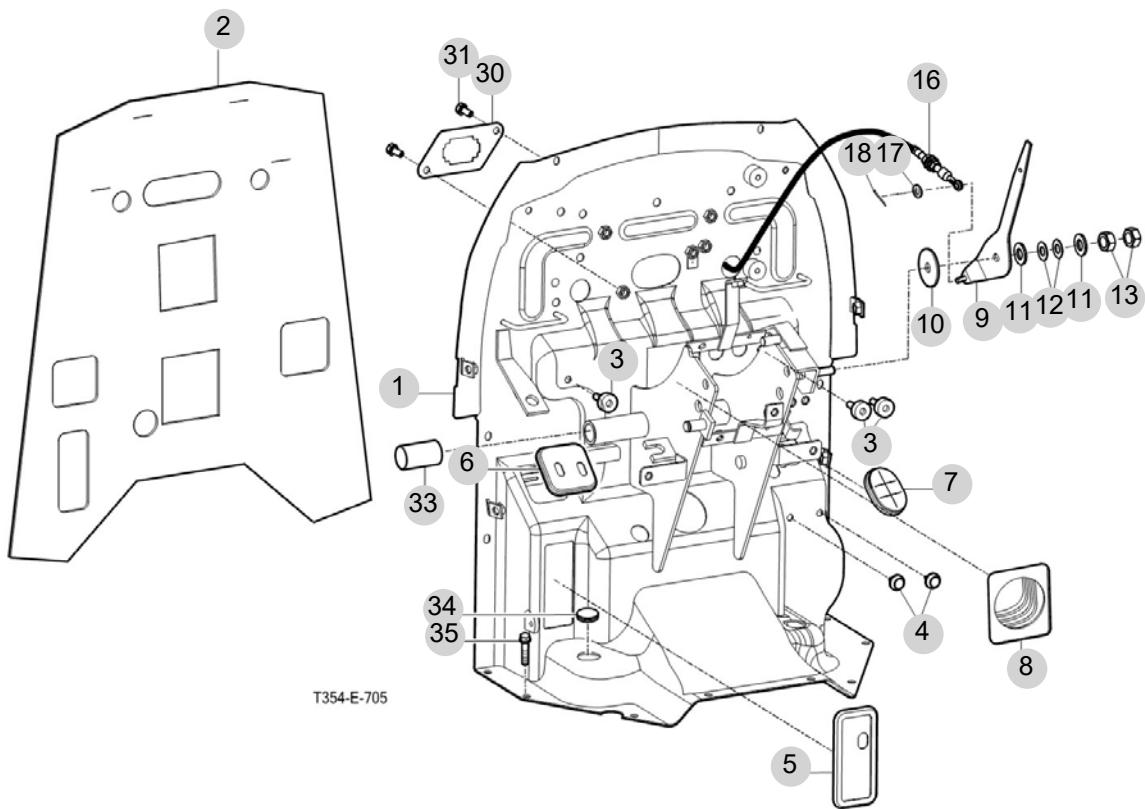
FIG 705

DASHBOARD

년/월
Year/Month

2022-12

T395NCEU1



T354-E-705

NOTE

FIG 705 T395NCEU1		DASHPANEL					년/월 Year/Month	
							2022-12	
KEY NO	PART NO	DESCRIPTION	SPEC	QTY	REPAIR	EFFECTIVE DATE	REMARKS	
705	1	13746302000GB	대시패널 COMP			1		
705	2	17406300020	인슐레이터, 대시패널			1		
705	3	14216020051	쿿션고무(B)			3		
705	4	14326160020	쿿션고무			2		
705	5	16606300021	캡(4WD)			1		
705	6	15606300205	인슐레이터			1		
705	7	16996300210	인슐레이터(쿿드)			1		
705	8	16756300010	부츠(스티어링호스)			1		
705	9	12516302200	스로틀 레버 COMP			1		
705	10	14141170050	라이닝 (13X50X3)			1		
705	11	V4111600100	평와셔	M10		2		
705	12	14527060010	접시스프링와셔/M10			2		
705	13	V3342600100	소형육각너트가는2종	M10		2		
705	16	13741162300	케이블(H스로틀/890)ASSY			1		
705	17	V4111600060	평와셔	M6		1		
705	18	V5001920020	분할핀	2X20		1		
705	30	14946300031	플레이트, 콘넥터			1		
705	31	V2173608020	소형육각볼트보통(S)	M8X20		2		
705	33	36707030080	부시(20X23X20)			2		
705	34	16606510210	고무캡(30)			3		
705	35	V2183608020	소형육각볼트보통(SP)	M8X20		8		
NOTE								

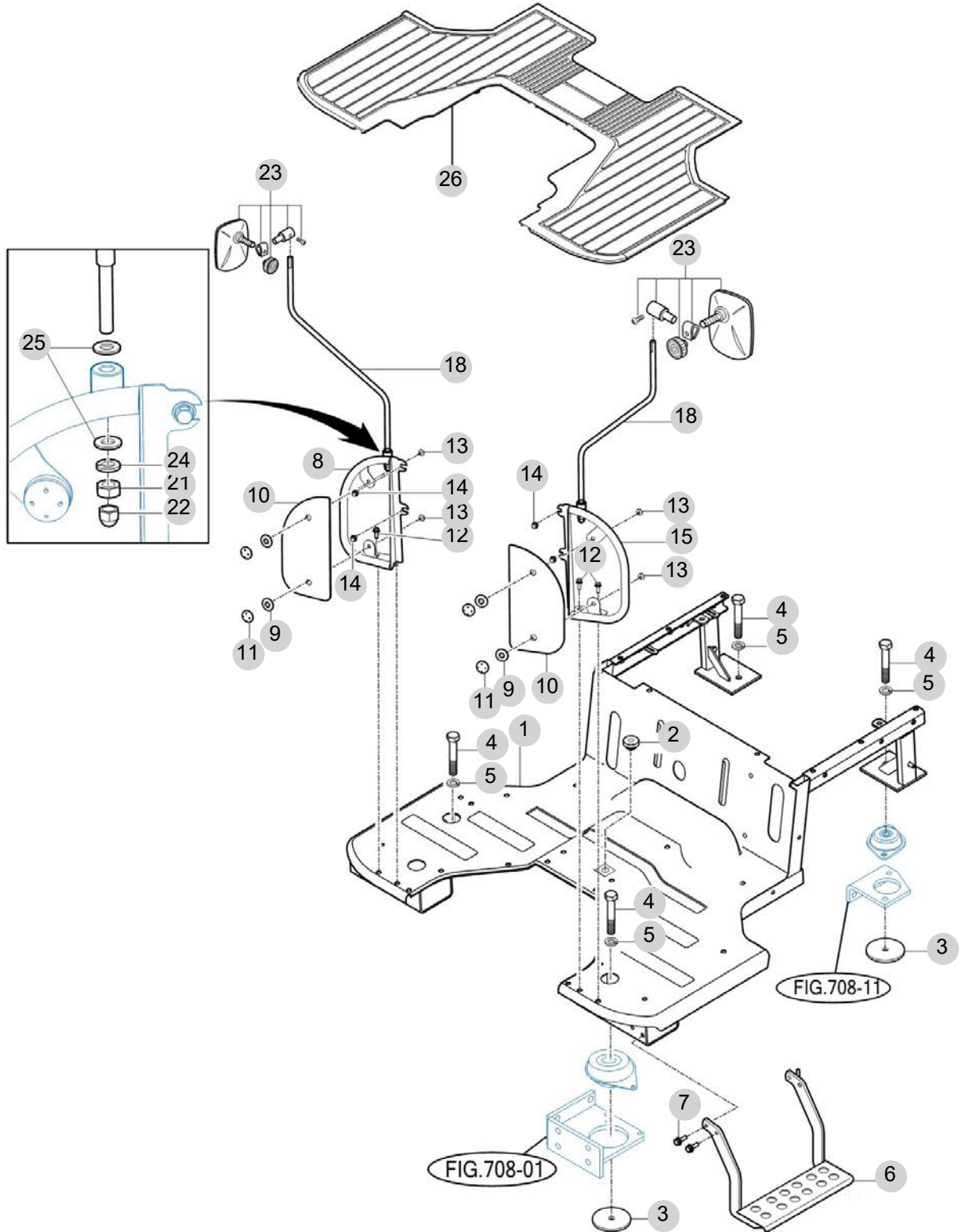
FIG 706

FLOOR PANEL

년/월
Year/Month

2022-12

T395NCEU1



T354-E-706

NOTE

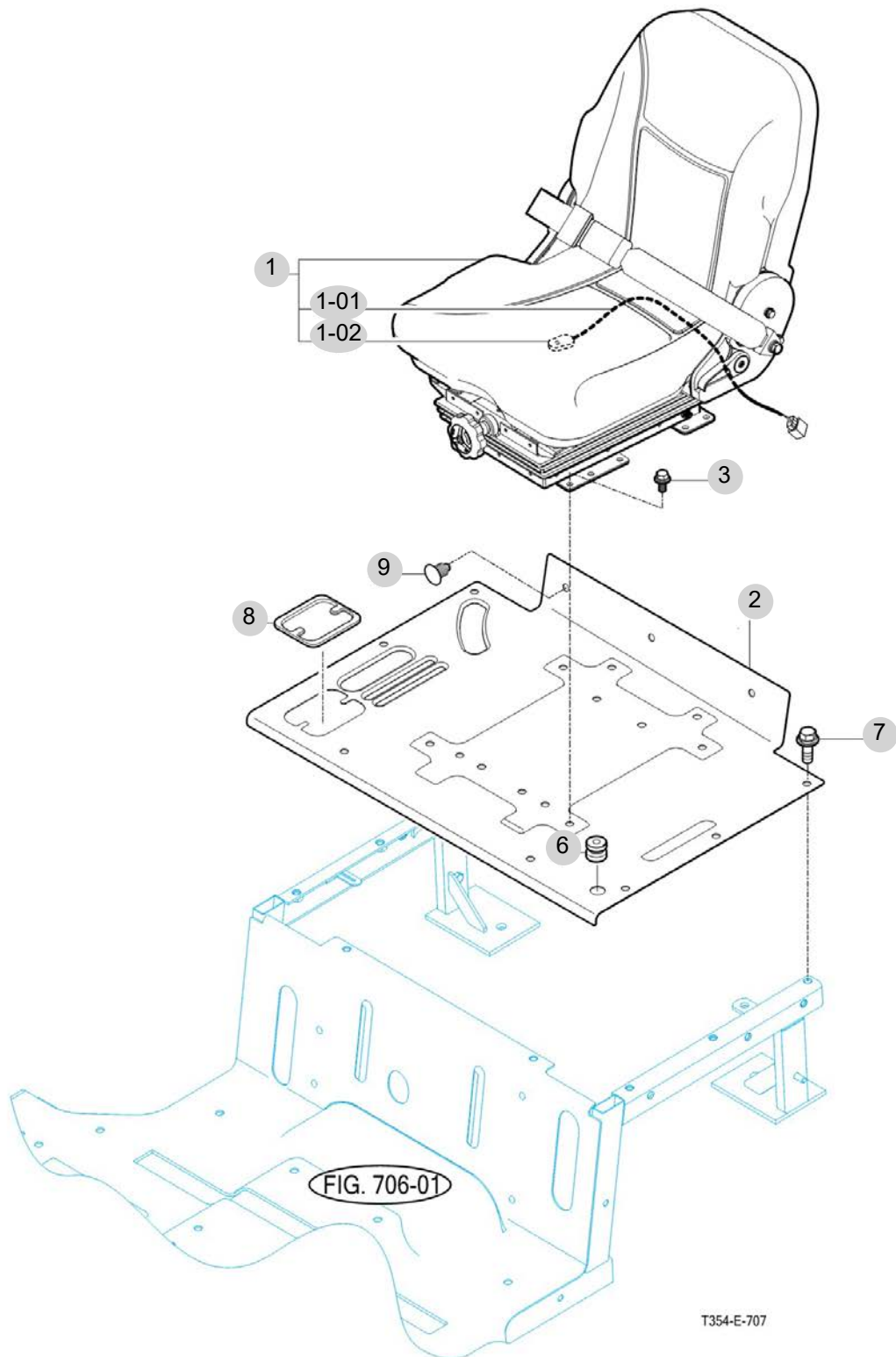
FIG 707

T395NCEU1

SEAT

년/월
Year/Month

2022-12



NOTE

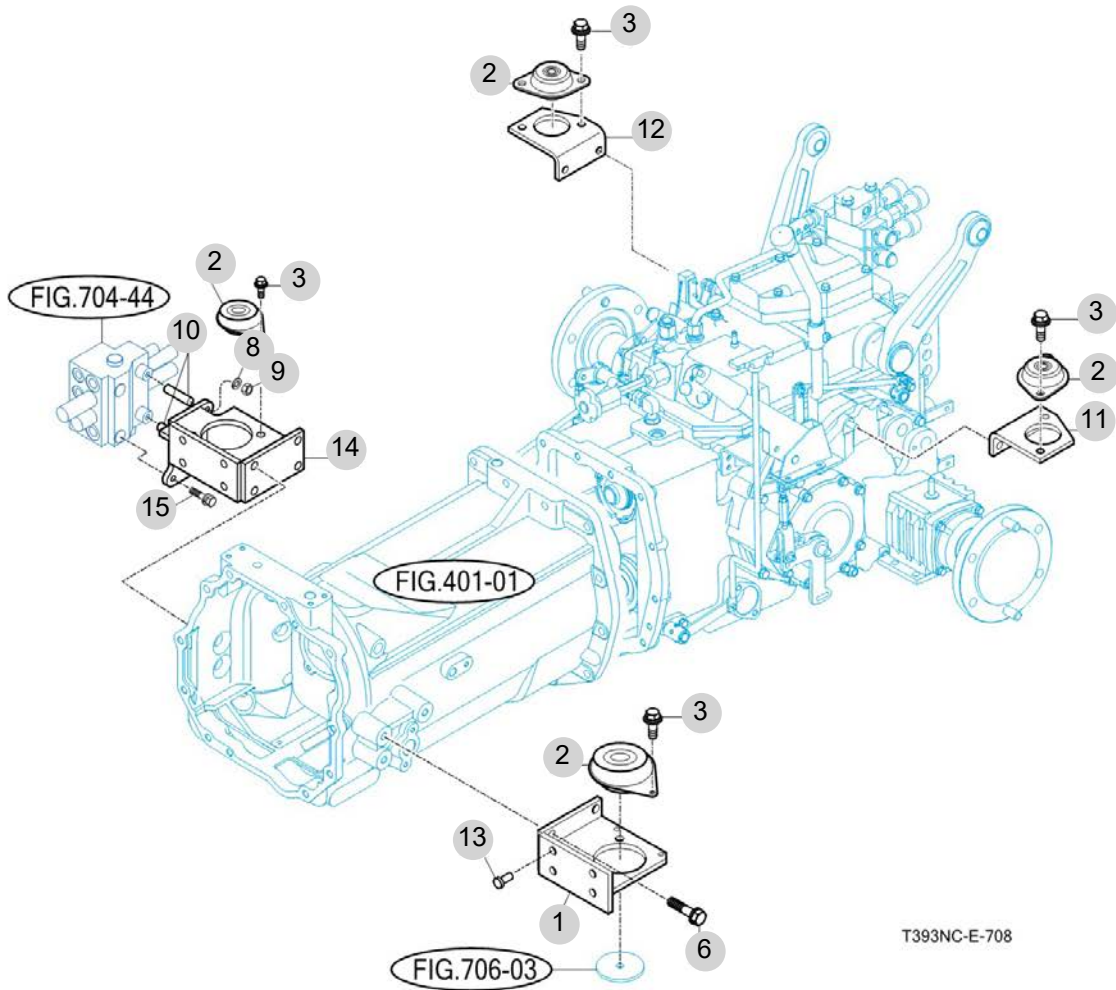
FIG 708

FRONT & REAR MOUNTING

년/월
Year/Month

2022-12

T395NCEU1



T393NC-E-708

NOTE

FIG 708 T395NCEU1		FRONT & REAR MOUNTING					년/월 Year/Month	
							2022-12	
KEY NO		PART NO	DESCRIPTION	SPEC	QTY	REPAIR	EFFECTIVE DATE	REMARKS
708	1	14576252101GB	마운팅브래킷(전)COMP		1			
708	2	15966250010	인슐레이터		4			
708	3	V2173612020	소형육각볼트보통(S)		2			
708	3	V2183612020	소형육각볼트보통(SP)	M12X20	8			
708	6	V2173612030	소형육각볼트보통(S)	M12X30	6			
708	8	V4011600080	스프링와셔	M8	2			
708	9	V3043600080	소형육각너트보통2종	M8	2			
708	10	V2513408030	스터드볼트2종	M8X30	2			
708	11	16706260012	마운트브래킷(후/LH)		1			
708	12	16706260022	마운트브래킷(후/RH)		1			
708	13	14272010160	캠(M12)		8			
708	14	13016252200GB	마운팅브래킷(전/RH)COMP		1			
708	15	V2173608025	소형육각볼트보통(S)	M8X25	1			
NOTE								

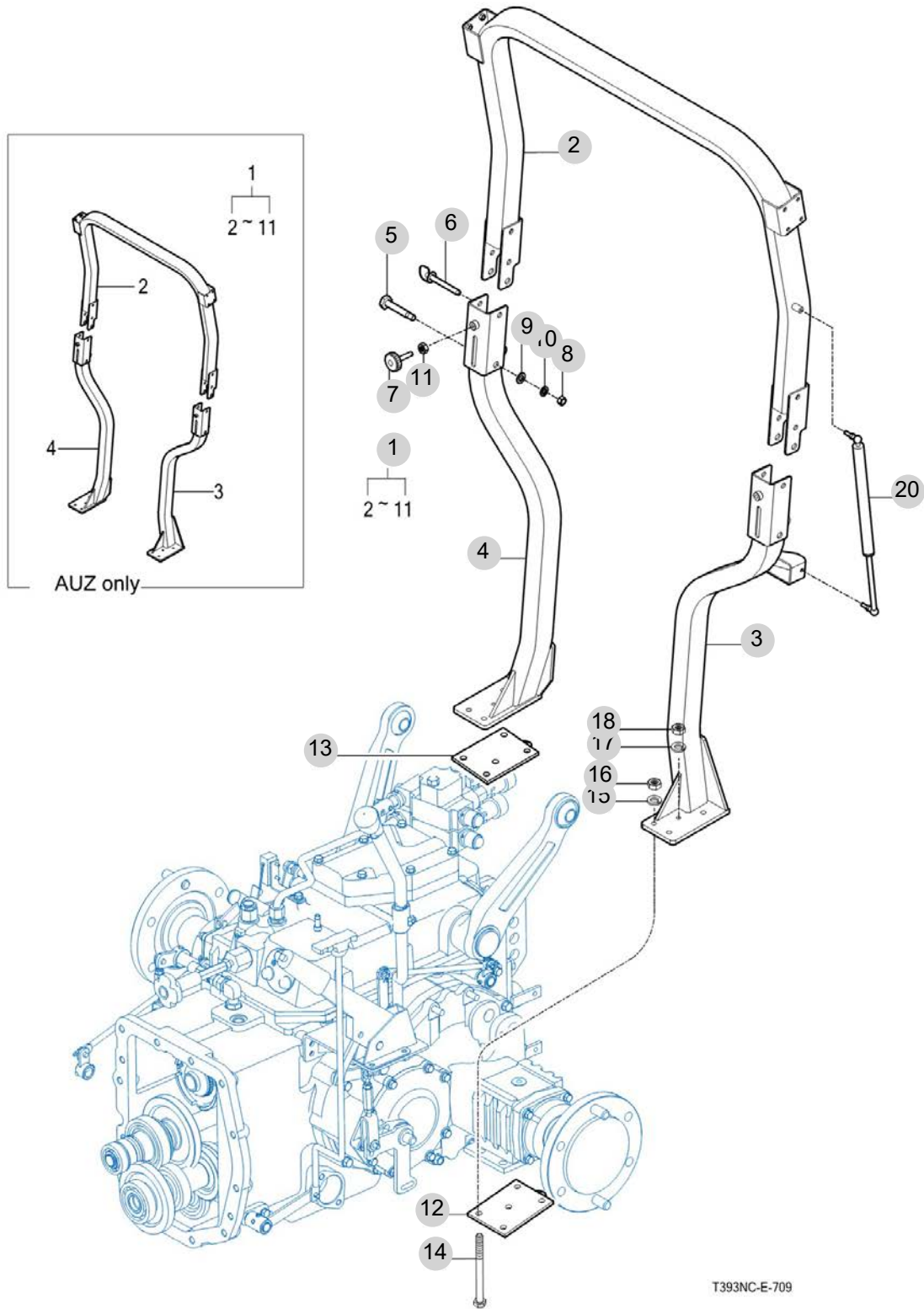
FIG 709

T395NCEU1

ROPS

년/월
Year/Month

2022-12



NOTE

8. 전장 PART NO. T8

FIG 801 BATTERY & MOUNTING	174
FIG 802 LAMP	176
FIG 803 INSTRUMENT PANEL	178
FIG 804 ELECTRIC SYSTEM	180
FIG 805 HARNESS (1)	182
FIG 806 HARNESS (2)	184

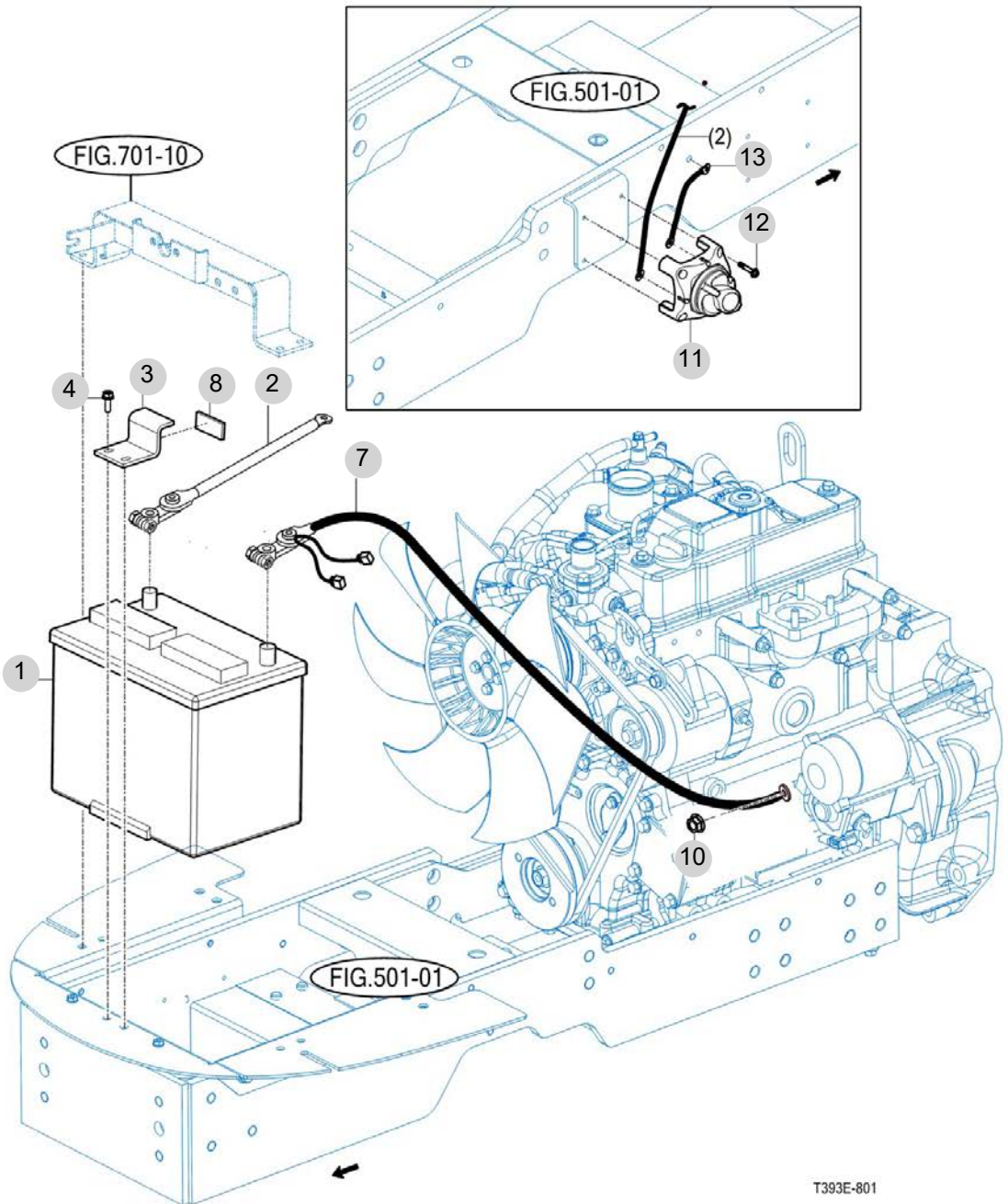
FIG 801

T395NCEU1

BATTERY & MOUNTING

년/월
Year/Month

2022-12



T393E-801

NOTE

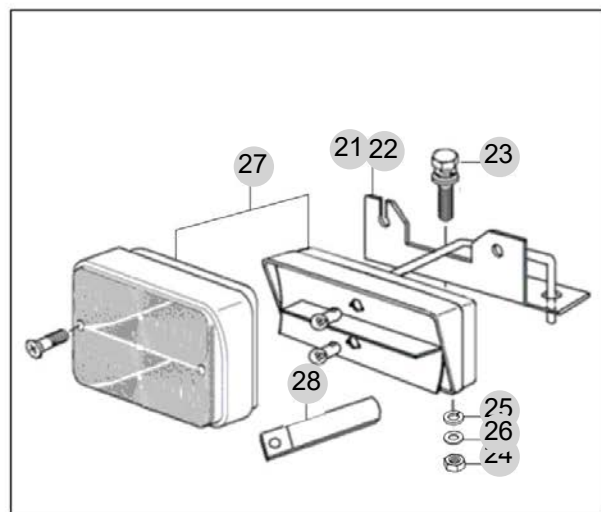
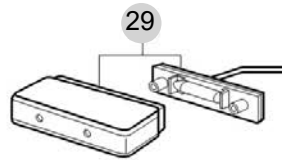
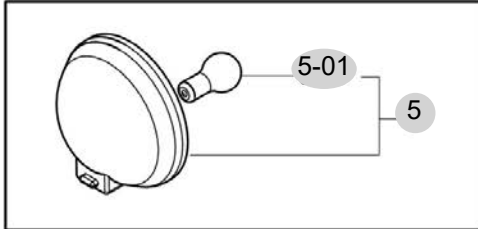
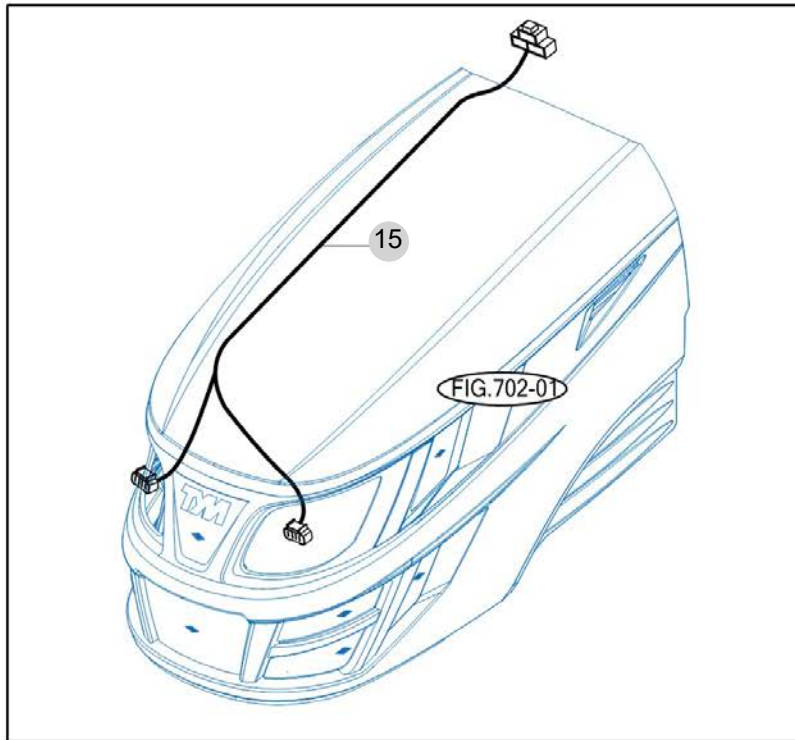
FIG 802

T395NCEU1

LAMP

년/월
Year/Month

2022-12



NOTE

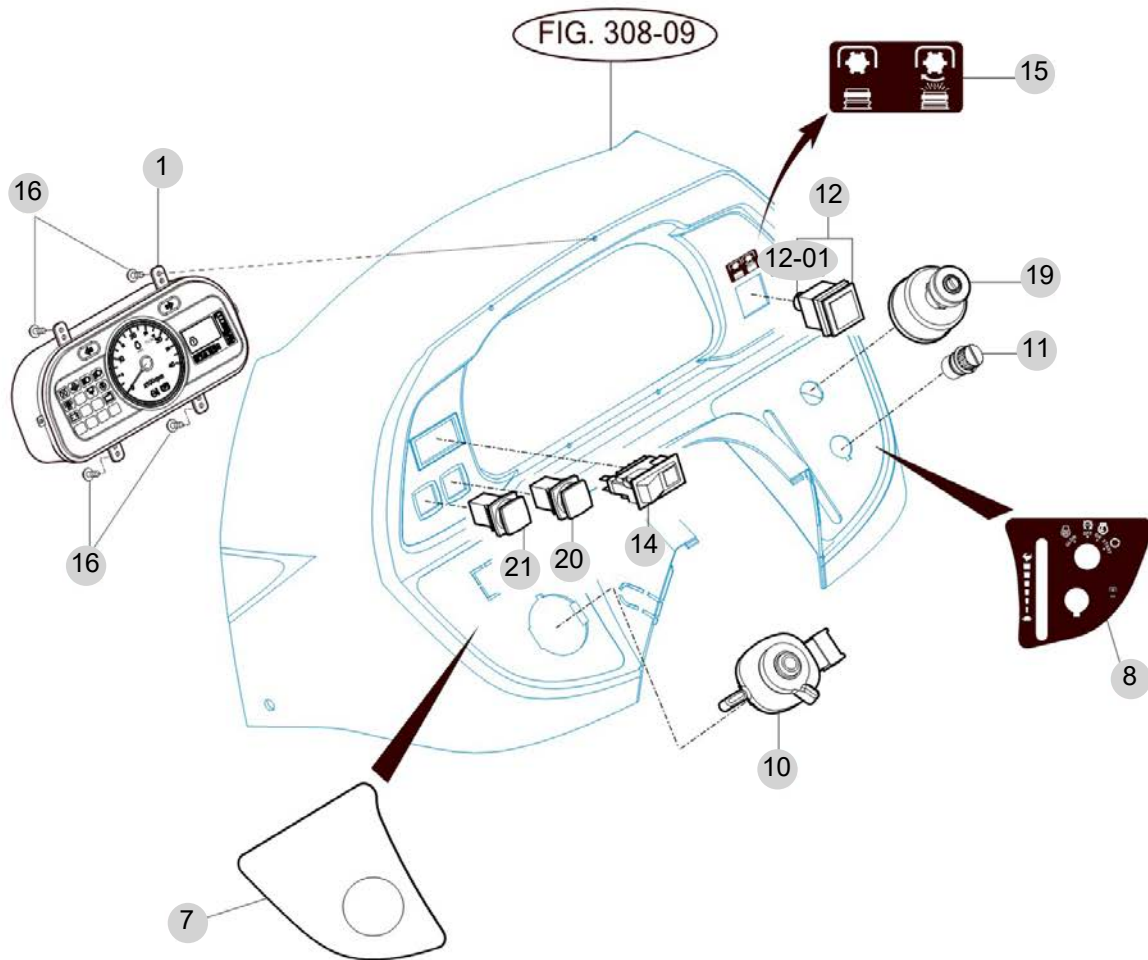
FIG 803

INSTRUMENT PANEL

년/월
Year/Month

2022-12

T395NCEU1



T393NC-E-803

NOTE

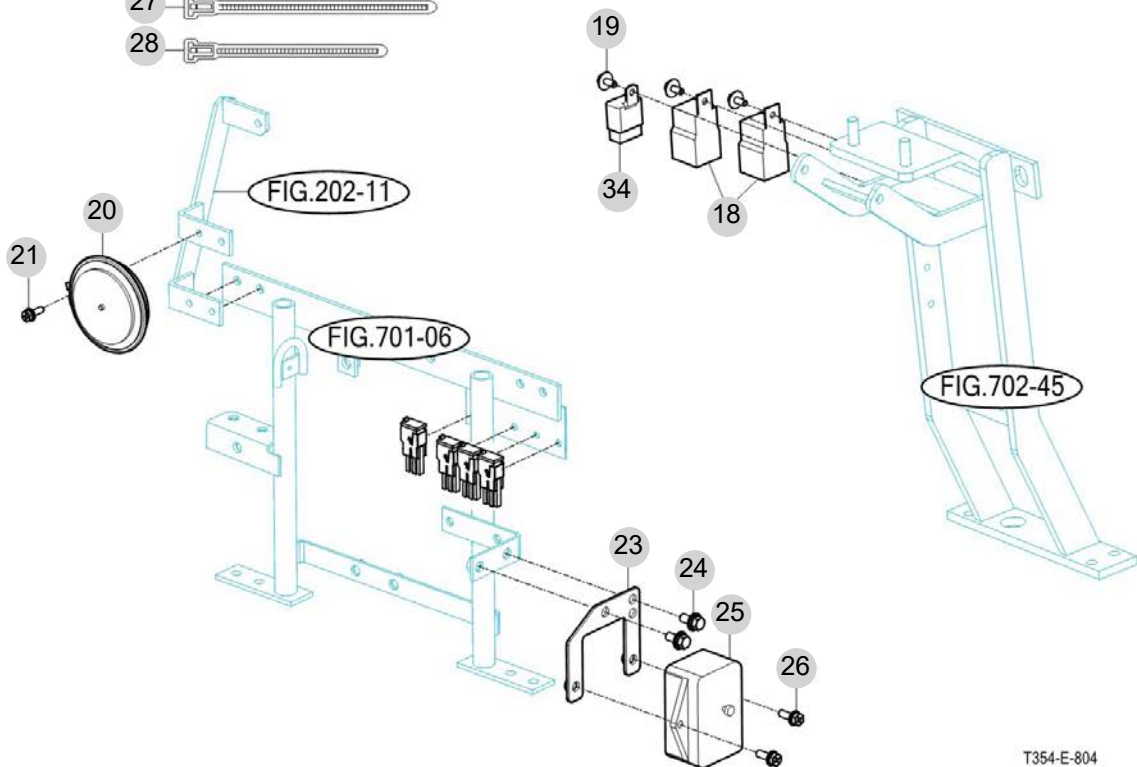
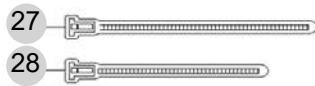
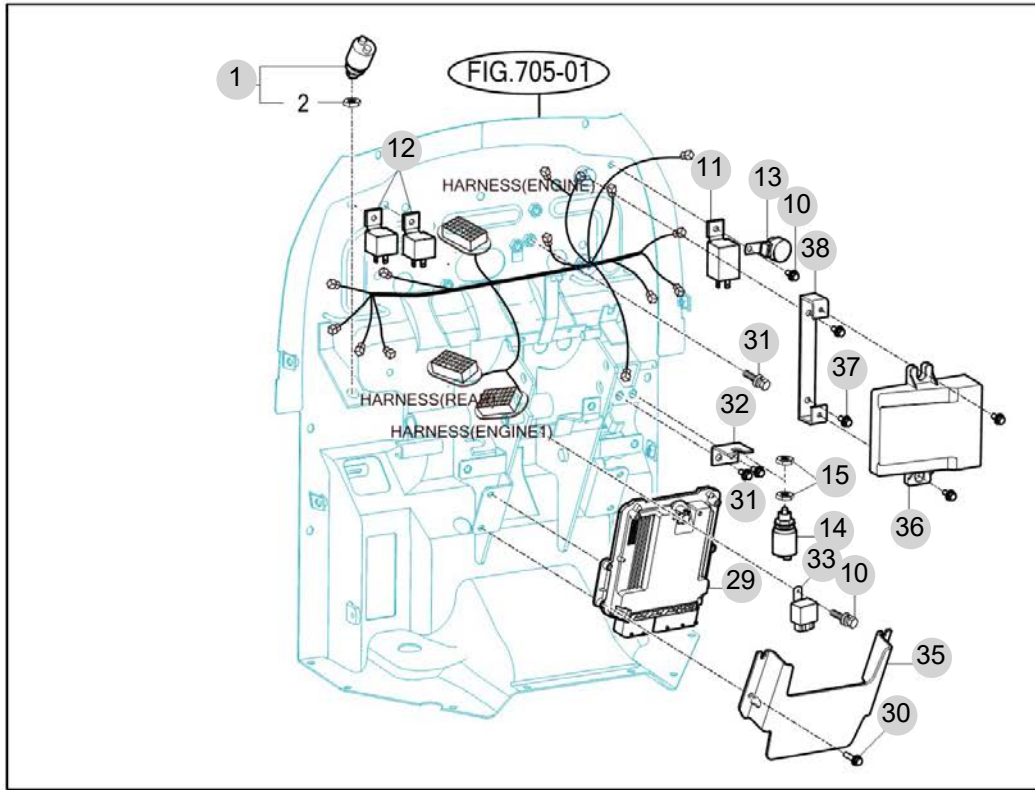
FIG 804

ELECTRIC SYSTEM

년/월
Year/Month

2022-12

T395NCEU1



T354-E-804

NOTE

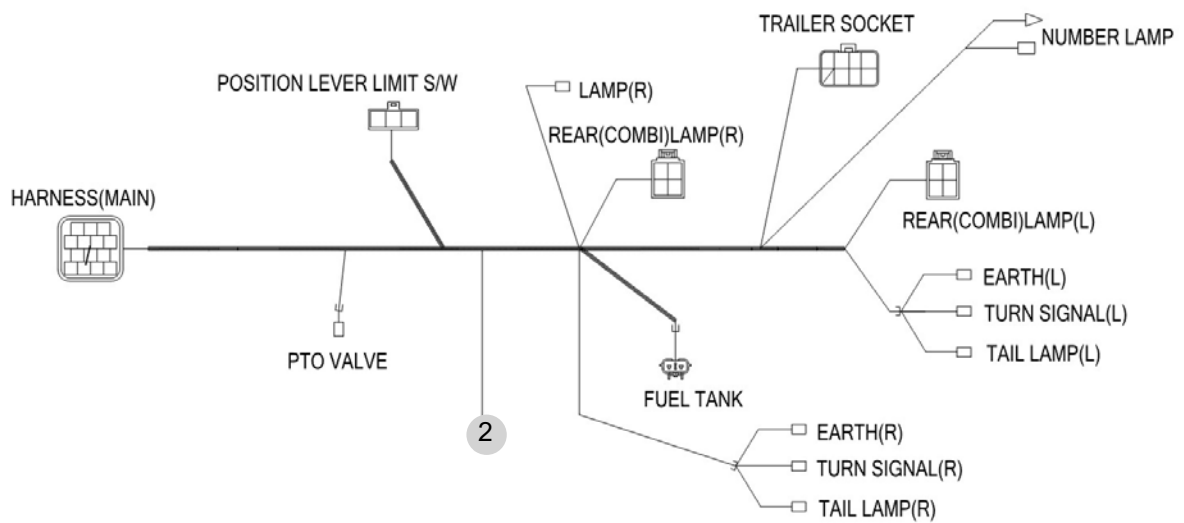
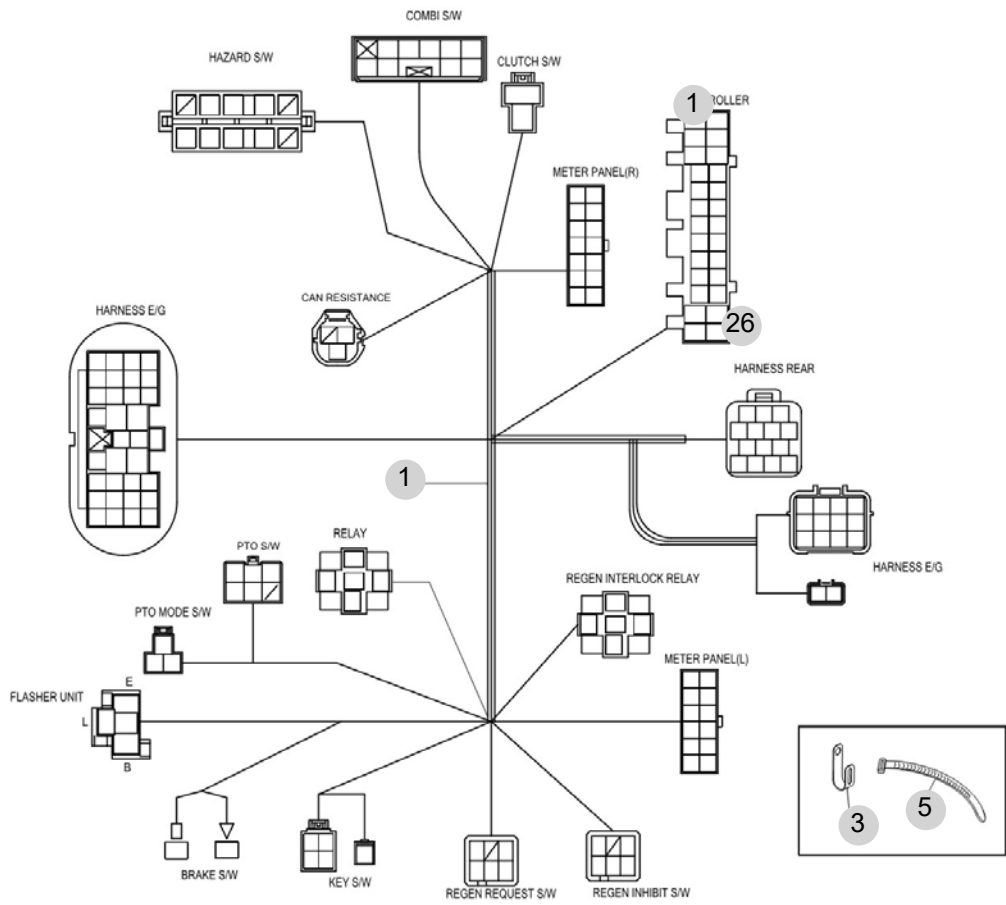
FIG 805

T395NCEU1

HARNESS (1)

년/월
Year/Month

2022-12



T354NC-E-805

NOTE

FIG 805

HARNES (1)

년/월
Year/Month

T395NCEU1

2022-12

KEY NO		PART NO	DESCRIPTION	SPEC	QTY	REPAIR	EFFECTIVE DATE	REMARKS
805	1	13746683001	하니스 ASSY, 메인		1			
805	1	13746683002	하니스 ASSY, 메인		1			
805	2	13756683600	하니스 ASSY, 리어		1			
805	2	13756683601	하니스 ASSY, 리어		1			
805	3	14441010161	라디에이터호스클램프		1			
805	5	13764020030	케이블타이(140)		1			
NOTE								

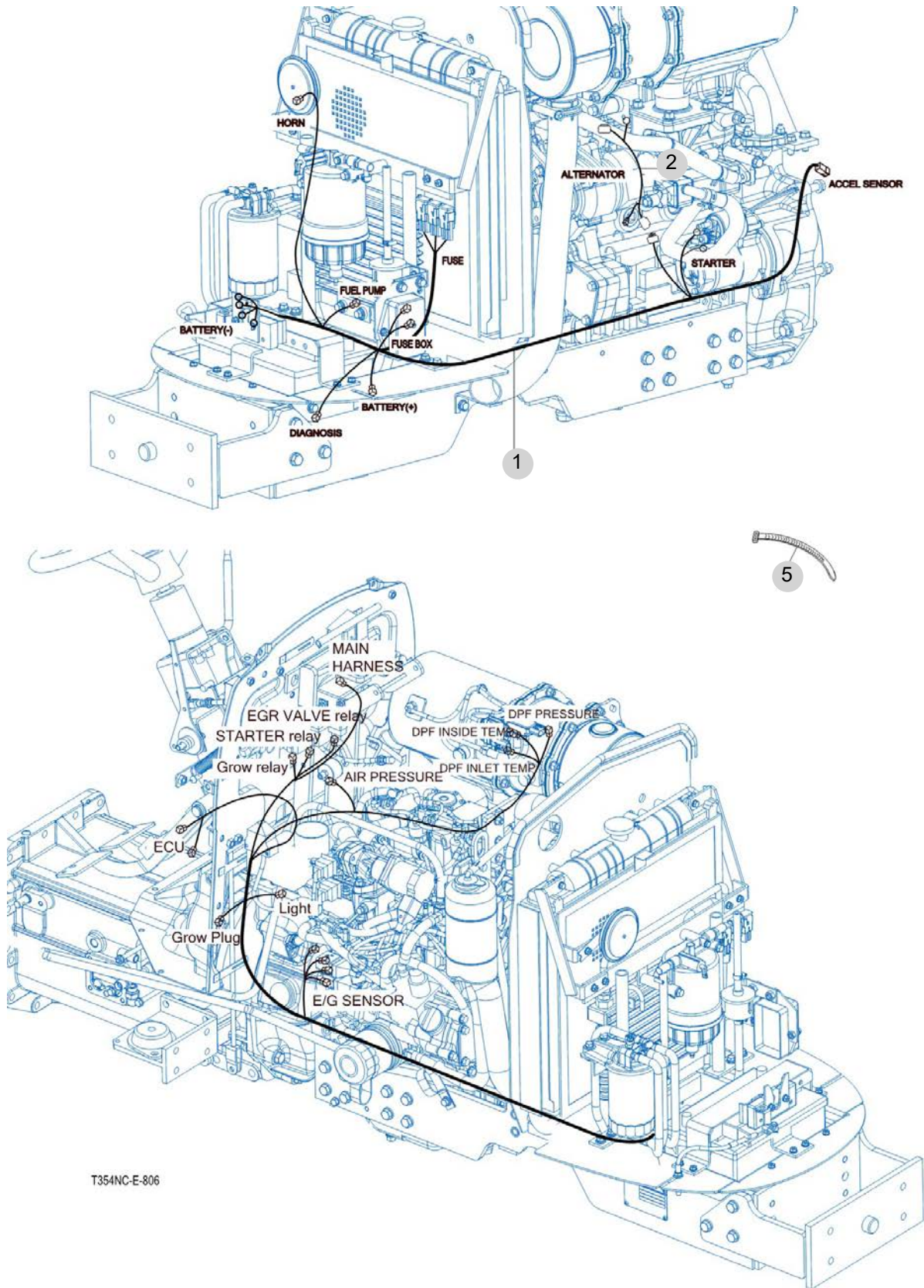
FIG 806

HARNESS (2)

년/월
Year/Month

2022-12

T395NCEU1



NOTE

FIG 806 T395NCEU1		HARNES (2)						년/월 Year/Month	
								2022-12	
KEY NO		PART NO	DESCRIPTION	SPEC	QTY	REPAIR	EFFECTIVE DATE	REMARKS	
806	1	17406682002	하니스(엔진) ASSY		1				
806	1	17406682003	하니스(엔진) ASSY		1				
806	1	17406682004	하니스(엔진) ASSY		1				
806	1	17406682005	하니스(엔진) ASSY		1				
806	1	17406682006	하니스(엔진) ASSY		1				
806	1	17406682007	하니스(엔진) ASSY		1				
806	1	17406682008	하니스(엔진) ASSY		1				
806	2	12346682200	하니스 ASSY, 발전기		1				
806	5	13424020060	케이블타이(300)		5				
NOTE									

9. 라벨/옵션 PART NO. T9

FIG 901 WEIGHT	187
FIG 902 TOOL & ACCESSORY	189
FIG 903-1 LABEL (1)	191
FIG 903-2 LABEL (2)	194

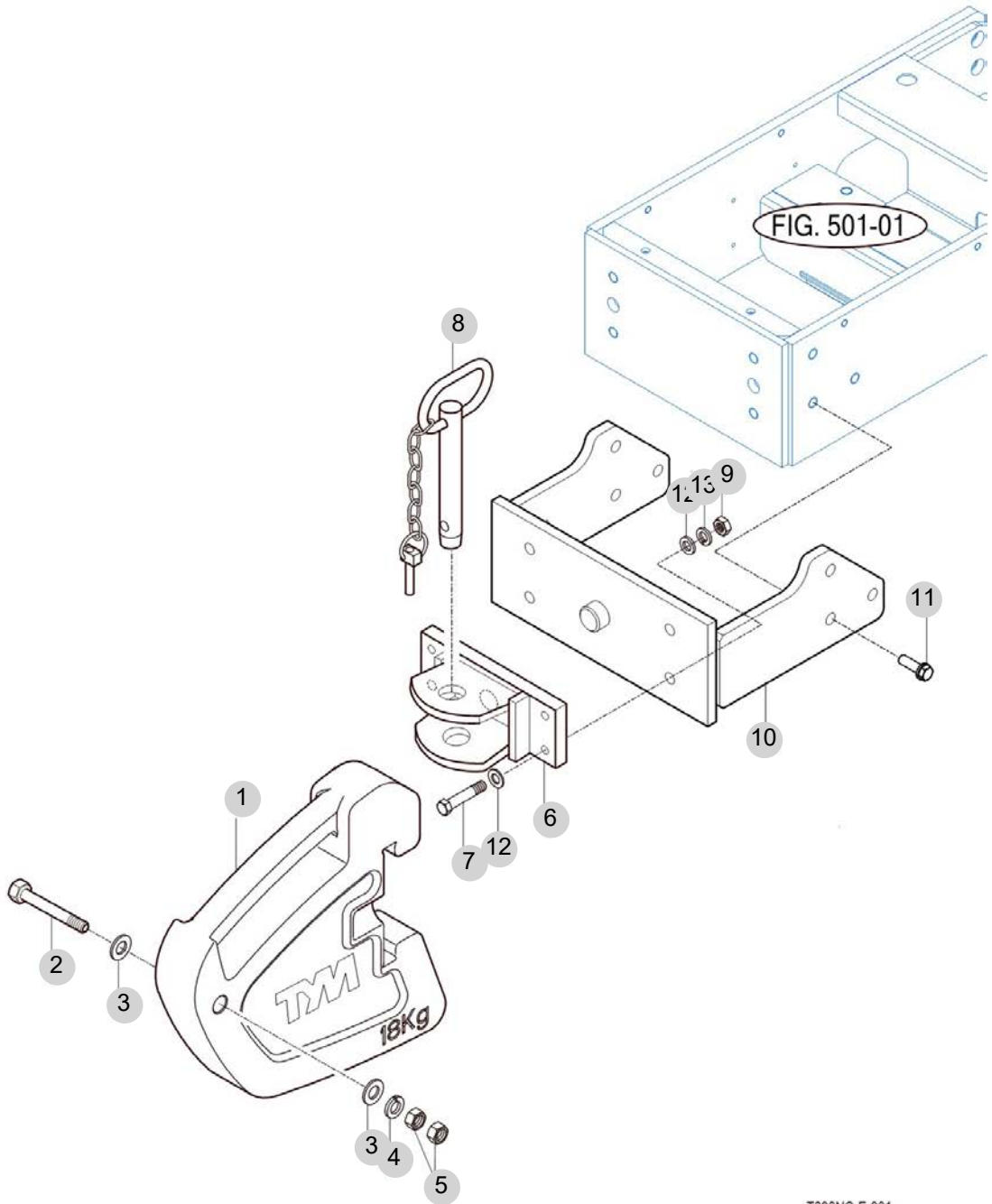
FIG 901

T395NCEU1

WEIGHT

년/월
Year/Month

2022-12



T393NC-E-901

NOTE

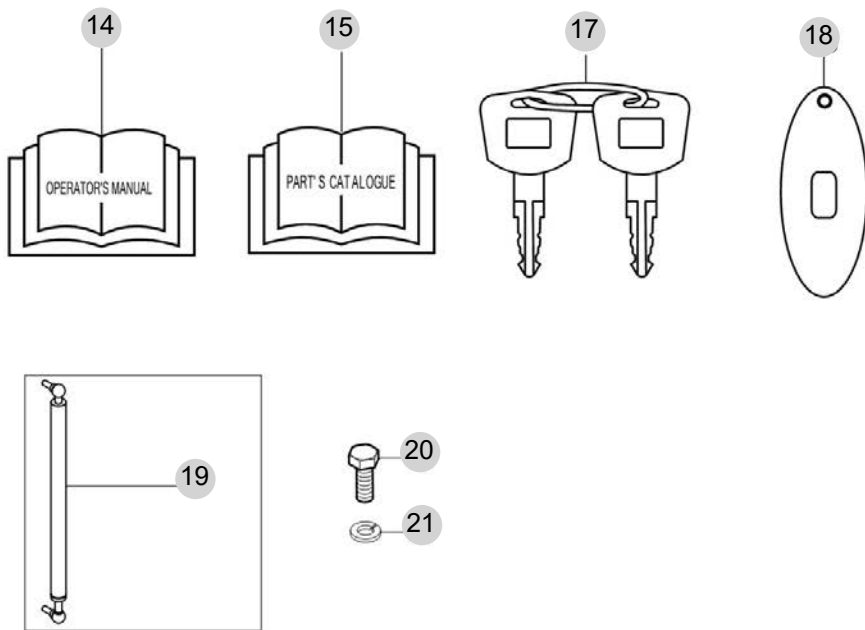
FIG 902

TOOL & ACCESSORY

년/월
Year/Month

2022-12

T395NCEU1



T393-E-902

NOTE

T395NCEU1

WARNING

Death or injury may result if this tractor over turns with the ROPS in the folded down position. Operate this tractor with the ROPS folded down only when necessary. Do not wear seat belt if operated with ROPS folded down

1225-904-902-0

35

DANGER

This Tractor may tip over unexpectedly and quicker than an operator is able to jump free

1. Never operate a tractor without a proper Roll over Protection Structure (ROPS)
2. Always wear your seat belt when operating this tractor equipped with roll over protection.
3. Never pull from above or from the rear axle.
4. Do not operate the tractor on steep slopes or near drop offs
5. Avoid sharp high speed turns. Serious injury or death may result from tractor upsets.

1220-904-901-0

36

SPEED TABLES

APPLICATION	GEAR/PTO	GEAR	PTO	GEAR	PTO	GEAR	PTO	GEAR	PTO	GEAR	PTO	GEAR	PTO	GEAR	PTO
WHEEL SPEED	0	1	2	3	4	5	10	20	30						
PTO RPM															
PTO TORQUE															

0 The proper driving speed and PTO RPM depend on the type of work, time and ground conditions. For your safety, observe the limits of the suitable speed.

2

CAUTION

Do not touch while the system is hot. It cause serious burns

1220-910-021-0

11

WARNING

Work in ventilated Area.

100-910-005-0

12

DANGER

Do not ride except operator.

100-910-005-0

13



18



21



27

A

B

24

25

WARNING

Additions, alterations, cracking, damage or corrosion to this structure may adversely affect the performance of the ROPS.

100-910-021-0

46



51

03

50

T395

29

TYM

60

TONGYANGMOOLSAN CO., LTD.

Model	Year	Weight	Capacity
T395	2022	1300kg	1000L
T395	2021	1300kg	1000L
T395	2020	1300kg	1000L
T395	2019	1300kg	1000L
T395	2018	1300kg	1000L
T395	2017	1300kg	1000L
T395	2016	1300kg	1000L
T395	2015	1300kg	1000L
T395	2014	1300kg	1000L
T395	2013	1300kg	1000L
T395	2012	1300kg	1000L
T395	2011	1300kg	1000L
T395	2010	1300kg	1000L
T395	2009	1300kg	1000L
T395	2008	1300kg	1000L
T395	2007	1300kg	1000L
T395	2006	1300kg	1000L
T395	2005	1300kg	1000L
T395	2004	1300kg	1000L
T395	2003	1300kg	1000L
T395	2002	1300kg	1000L
T395	2001	1300kg	1000L
T395	2000	1300kg	1000L

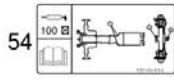
41

WARNING

Do not use the sub shift lever at "H" position when driving backward.

100-910-021-0

11



54



55

WARNING

Always fasten Your seat belt.

100-910-015-0

15

WARNING

Never use the diff-lock at high speed or on the road as this can cause rollover and injury.

100-910-015-0

19

WARNING

Do not remove radiator cap while engine is hot. Hot steam will injure you.

1200-910-015-0

8

WARNING

- Start engine only from operators seat. If safety start switch is by passed engine can start with transmission in gear.
- Do not connect or short across terminal on starter solenoid.
- Attach booster cables as shown on battery decal and operators manual.

Starting in gear causing runaway can result in serious injury.

100-910-021-0

44

WARNING

Push the button to lock position with joystick lever is neutral whenever the implement is not operation.

100-910-021-0

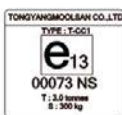
37

WARNING

Stay clear of raised Boom and bucket.

100-910-021-0

38



48

CAUTION

Keep hands and clothing away from rotating fan and belts to prevent serious injury.

100-910-015-0

7



56

FIG 903-1		LABEL (1)					년/월 Year/Month	
T395NCEU1							2022-12	
KEY NO	PART NO	DESCRIPTION	SPEC	QTY	REPAIR	EFFECTIVE DATE	REMARKS	
903-1	2	12339040020	라벨, 취급/차속표		1			
903-1	3	12009040041	유압컨트롤마크		1			
903-1	4	12009100080	라벨, 경고/틸트		1			
903-1	5	12009100240	라벨, 주의/소음기		1			
903-1	6	12009100020	라벨, 경고/파킹		1			
903-1	7	12009100120	라벨, 주의/팬		1			
903-1	8	12009100150	라벨, 경고/라디에이터캡		1			
903-1	9	12009100230	라벨, 주의/취급		2			
903-1	10	12009100130	라벨, 위험/PTO		1			
903-1	11	12009100010	라벨, 경고/부변속		1			
903-1	12	12009100030	라벨, 경고/배기가스		1			
903-1	13	12009100160	라벨, 위험/동승금지		1			
903-1	14	17689100170	라벨, 주의/안전		1			
903-1	15	12009100190	라벨, 경고/안전벨트		1			
903-1	16	12009100210	라벨, 경고/스로틀		1			
903-1	17	12009100050	라벨, 경고/화기염금		1			
903-1	18	17689200050	라벨, 취급/차동고정		1			
903-1	19	12009100060	라벨, 경고/차동고정		1			
903-1	20	12009100140	라벨, 경고/견인		1			
903-1	21	12519020060	라벨(PTO)		1			
903-1	24	15189030060	포트마크(A)		1			
903-1	25	15189030070	포트마크(B)		1			
903-1	26	12009100070	라벨, 경고/브레이크		1			
903-1	27	14979010070	라벨(부변속)		1			
903-1	29	13749010042	마크, /T395		2			
903-1	29	13749010041	마크, T395		2			
903-1	35	12209045020	라벨(ROPS경고)		1			
903-1	36	12209045010	라벨(ROPS위험)		1			
903-1	37	17699100090	라벨, 경고/조이스틱		1			
903-1	38	17699100100	라벨, 경고/조이스틱밸브		1			
903-1	39	12519430040	4WD마크		1			
903-1	40	12009100040	라벨, 경고/스톱밸브		1			
903-1	41	15829040220	제조사 식별명판(EU)		1			
903-1	44	12609040620	경고(스타트)		1			
903-1	46	12209045051	라벨, 경고/개조		1			
903-1	47	13749040690	형식마크(ROPS)		1			
903-1	48	12519040230	드로바명판		1			
903-1	50	12519040190	명판(승강장치/상승) CONTROL ID		1			
903-1	51	12519040200	명판(승강장치/하강) CONTROL ID		1			
903-1	52	12519040920	라벨(보조유압/A)		1			
903-1	53	12519040930	라벨(보조유압/B)		1			
903-1	54	12519100130	라벨, 그리스		1			
903-1	55	12519100140	라벨, 잭포인트		1			
903-1	56	12137025120	라벨, 본넷 오픈		1			
903-1	57	12539040690	형식마크(ROPS)		1		FCEU	
NOTE								

FIG 903-1		LABEL (1)						년/월 Year/Month
T395NCEU1								2022-12
KEY NO	PART NO	DESCRIPTION	SPEC	QTY	REPAIR	EFFECTIVE DATE	REMARKS	
903-1	60	14119010020	라벨 , /TYM 60					
NOTE								

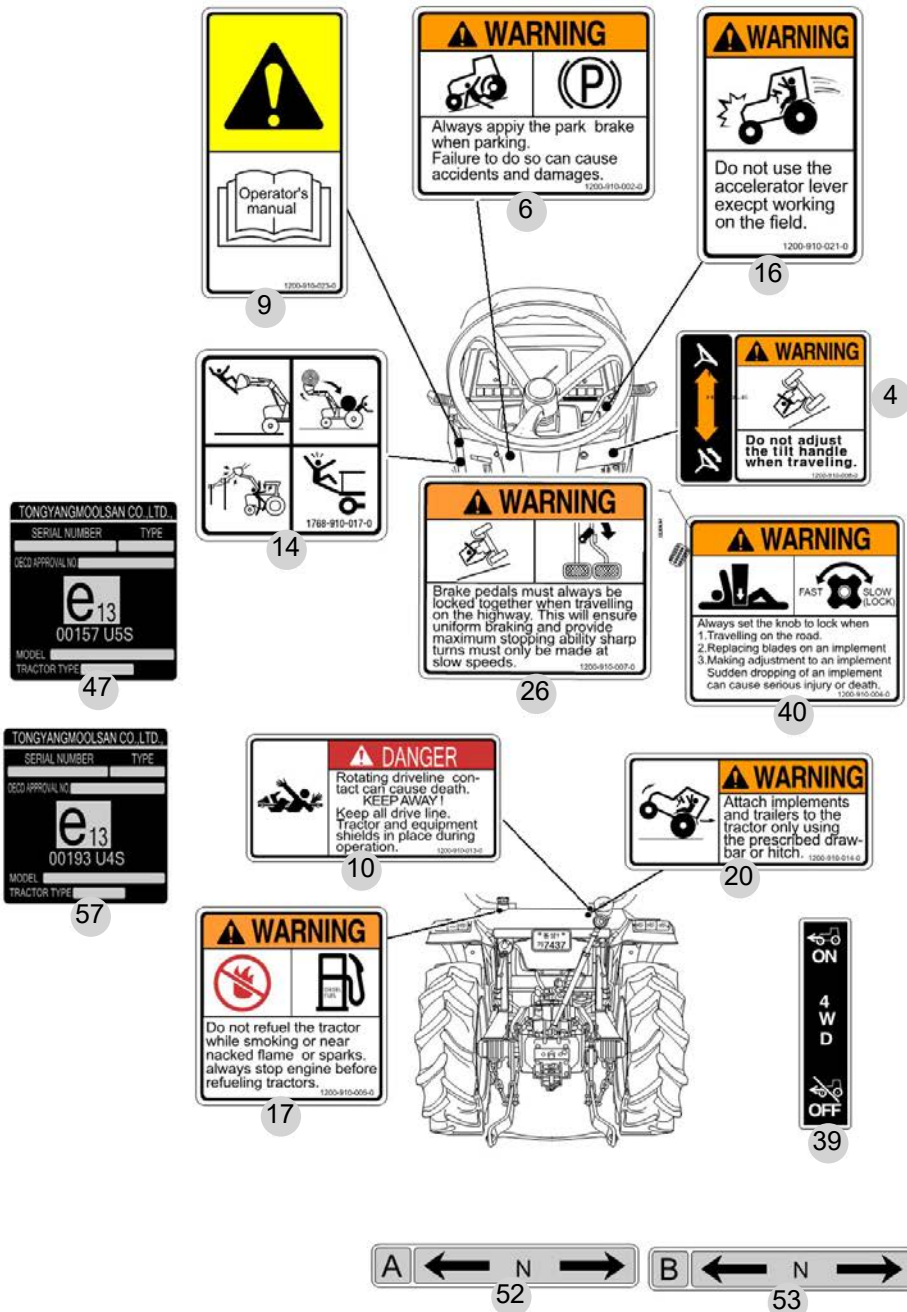
FIG 903-2

LABEL (2)

년/월
Year/Month

2022-12

T395NCEU1



NOTE

FIG 903-2		LABEL (2)					년/월 Year/Month		
							2022-12		
T395NCEU1		KEY NO	PART NO	DESCRIPTION	SPEC	QTY	REPAIR	EFFECTIVE DATE	REMARKS
903-2	2	12339040020	라벨, 취급/차속표			1			
903-2	3	12009040041	유압컨트롤마크			1			
903-2	4	12009100080	라벨, 경고/틸트			1			
903-2	5	12009100240	라벨, 주의/소음기			1			
903-2	6	12009100020	라벨, 경고/파킹			1			
903-2	7	12009100120	라벨, 주의/팬			1			
903-2	8	12009100150	라벨, 경고/라디에이터캡			1			
903-2	9	12009100230	라벨, 주의/취급			2			
903-2	10	12009100130	라벨, 위험/PTO			1			
903-2	11	12009100010	라벨, 경고/부변속			1			
903-2	12	12009100030	라벨, 경고/배기가스			1			
903-2	13	12009100160	라벨, 위험/동승금지			1			
903-2	14	17689100170	라벨, 주의/안전			1			
903-2	15	12009100190	라벨, 경고/안전벨트			1			
903-2	16	12009100210	라벨, 경고/스로틀			1			
903-2	17	12009100050	라벨, 경고/화기염금			1			
903-2	18	17689200050	라벨, 취급/차동고정			1			
903-2	19	12009100060	라벨, 경고/차동고정			1			
903-2	20	12009100140	라벨, 경고/견인			1			
903-2	21	12519020060	라벨(PTO)			1			
903-2	24	15189030060	포트마크(A)			1			
903-2	25	15189030070	포트마크(B)			1			
903-2	26	12009100070	라벨, 경고/브레이크			1			
903-2	27	14979010070	라벨(부변속)			1			
903-2	29	13749010041	마크, T395			2			
903-2	29	13749010042	마크, /T395			2			
903-2	35	12209045020	라벨(ROPS경고)			1			
903-2	36	12209045010	라벨(ROPS위험)			1			
903-2	37	17699100090	라벨, 경고/조이스틱			1			
903-2	38	17699100100	라벨, 경고/조이스틱밸브			1			
903-2	39	12519430040	4WD마크			1			
903-2	40	12009100040	라벨, 경고/스톱밸브			1			
903-2	41	15829040220	제조사 식별명판(EU)			1			
903-2	41	T0019110060	형식명판, 수출/EU			1			
903-2	44	12609040620	경고(스타트)			1			
903-2	46	12209045051	라벨, 경고/개조			1			
903-2	47	12539040691	형식마크(ROPS)			1			
903-2	48	12519040230	드로바명판			1			
903-2	50	12519040190	명판(승강장치/상승) CONTROL ID			1			
903-2	51	12519040200	명판(승강장치/하강) CONTROL ID			1			
903-2	52	12519040920	라벨(보조유압/A)			1			
903-2	53	12519040930	라벨(보조유압/B)			1			
903-2	54	12519100130	라벨, 그리스			1			
903-2	55	12519100140	라벨, 잭포인트			1			
903-2	56	12137025120	라벨, 본넷 오픈			1			
NOTE									

